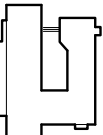


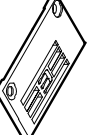
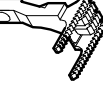
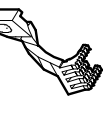
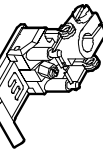
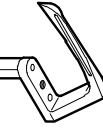
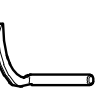
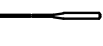


SIRUBA GAGE PARTS LIST		Series		Remark		Page	Date		
		F007K / F858K F007KD / F858KD				1 / 3	2012/10/31		
									
MODEL	SUB-CLASS	NEEDLE CLAMP	NEEDLE PLATE	MAIN FEED DOG	DIFF. FEED DOG	PRESSER FOOT	LOOPER	SPREADER	NEEDLE
機 型	規 格	針 座	針 板	主送具	差送具	壓 具	勾 針	上 叉	使用針
F007K(KD)-W121 F858K(KD)-W121 /FHA	240 248 356 364	M5240 M5248 M5356 M5364	E1534 E1535 E1836 E1837	D1206P D1207P	H1258 H1259	P2544-A P2545-A P2446-A P2447-A	ME28	MH41	UYX128GAS#10
F007K(KD)-W122 F858K(KD)-W122 /FHA	240 248 356 364	M5240 M5248 M5356 M5364	E1524 E1525 E1826 E1827	D1206P D1207P	H1258 H1259	P2544-A P2545-A P2446-A P2447-A	ME28	MH41	UYX128GAS#10
F007K(KD)-U122 F858K(KD)-U122 /FP	232	M5232	E1623	D1206P	H1257	P4011-A	ME28	—	TVX5#14
F007K(KD)-W123 F858K(KD)-W123 /FHA	240 248 356 364	M5240 M5248 M5356 M5364	E1514 E1515 E1816 E1817	D1206P D1207P	H1258 H1259	P2544-A P2545-A P2446-A P2447-A	ME28	MH41	UYX128GAS#10
F007K(KD)-W162 F858K(KD)-W162 /FHA	356 364	M5356 M5364	E1846 E1847	D1207P	H1259	P2446-A P2447-A	ME28A	MH41	TV*5#14~16
F007K(KD)-W222 F858K(KD)-W222 /FQ	232 240 248 356 364	M5232 M5240 M5248 M5356 M5364	E3023 E3024 E3025 E3326 E3327	D1215 D1215 D1215 D1216 D1216	H1261 H1261 H1261 H1262 H1262	P1813K-A P1814K-A P1815K-A P2116K-A P2117K-A	ME28	MH41	UYX128GAS#10
F007K(KD)-U222 F858K(KD)-U222 /FQ	240 248 356 364	M5240 M5248 M5356 M5364	E3024 E3025 E3326 E3327	D1215 D1215 D1216 D1216	H1261 H1261 H1262 H1262	P2314K-A P2315K-A P2616K-A P2617K-A	ME28	—	UYX128GAS#10

# SIRUBA

## MODEL COMPARE LIST

Series  
F007K / F858K  
F007KD / F858KD

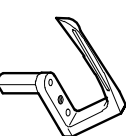
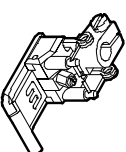
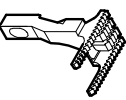
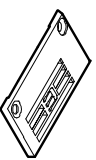
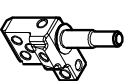
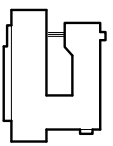
Remark

Page

Date

2 / 3

2019/10/31



MODEL

SUB-CLASS

NEEDLE  
CLAMP

NEEDLE  
PLATE

MAIN  
FEED DOG

DIFF.  
FEED DOG

PRESSER  
FOOT

LOOPER

SPREADER

NEEDLE

機 型

規 格

針 座

針 板

主送具

差送具

壓 具

勾 針

上 叉

使用針

F007K  
F858K  
/FFD(FFP)

240  
248  
356  
364

M5240  
M5248  
M5356  
M5364

E3024  
E3025  
E3326  
E3327

D1215  
D1215  
D1216  
D1216

H1261  
H1261  
H1262  
H1262

P1814K-A  
P1815K-A  
P2116K-A  
P2117K-A

ME28

MH41

UYX128GAS#10

F007K  
F858K  
/FFD(FFP)

240  
248  
356  
364

M5240  
M5248  
M5356  
M5364

E3024  
E3025  
E3326  
E3327

D1215  
D1215  
D1216  
D1216

H1261  
H1261  
H1262  
H1262

P2314K-A  
P2315K-A  
P2616K-A  
P2617K-A

ME28

—

UYX128GAS#10

F007K  
F858K  
/FSM

240-4  
248-4  
364-4

M5240P  
M5248P  
M5364P

E3724  
E3725  
E3727

D1516

H1262

P2714-A  
P2715-A  
P2717-A

ME28

—

UYX128GAS#10

F007K(KD)  
F858K(KD)  
/FDC

356  
364

M5356  
M5364

E4826K  
E4827K

D1207P

H1359K

P2446-A  
P2447-A

ME28

MH41

UYX128GAS#10

F007K(KD)  
F858K(KD)  
/FDE

356  
364

M5356  
M5364

E4836K  
E4837K

D1207P

H1459-E

P2446-A  
P2447-A

ME28

MH41

UYX128GAS#10

F007K  
F858K  
/FFC(FE)

240  
248  
356  
364

M5240  
M5248  
M5356  
M5364

E1524  
E1525  
E1826  
E1827

D1206P  
D1206P  
D1207P  
D1207P

H1258  
H1258  
H1259  
H1259

P2914-A  
P2915-A  
P3216-A  
P3217-A

ME28

MH41

UYX128GAS#10

F007K  
F858K  
/FFC(FE)

240  
248  
356  
364

M5240  
M5248  
M5356  
M5364

E1524  
E1525  
E1826  
E1827

D1206P  
D1206P  
D1207P  
D1207P

H1258  
H1258  
H1259  
H1259

P3414-A  
P3415-A  
P3716-A  
P3717-A

ME28

—

UYX128GAS#10

F007K(KD)  
F858K(KD)  
/FR

232  
240  
248  
356  
364

M5232  
M5240  
M5248  
M5356  
M5364

E6023  
E6024  
E6025  
E6326  
E6327

D2221  
D2221  
D2221  
D2222  
D2222

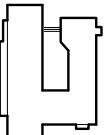

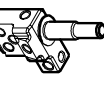



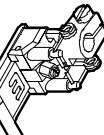

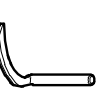

H2267  
H2267  
H2267  
H2268  
H2268

P2813K-A  
P2814K-A  
P2815K-A  
P3116K-A  
P3117K-A

ME28

MH41

UYX128GAS#10

SIRUBA GAGE PARTS LIST		Series		Remark		Page	Date		
		F007K / F858K F007KD / F858KD				3 / 3	2012/10/31		
									
MODEL	SUB-CLASS	NEEDLE CLAMP	NEEDLE PLATE	MAIN FEED DOG	DIFF. FEED DOG	PRESSER FOOT	LOOPER	SPREADER	NEEDLE
機 型	規 格	針 座	針 板	主送具	差送具	壓 具	勾 針	上 叉	使用針
F007K(KD) F858K(KD) /FBP	-U613 256 264	M5356 M5364	E1836L E1837L	D1207P	H1259	P4000-A P4001-A	ME28	—	TVX5#14~18
F007K(KD) F858K(KD)	-U712 264	M5264	E5827	D5207	H5259	P4117-A	FS03/04	—	DVX43#11~16
F007K(KD) F858K(KD) /FSP	-U712 264	M5264	E5827	D5207	H5259	P5117-A (成品寬10mm用)	FS03/04	—	DVX43#11~16
F007K(KD) F858K(KD) /FSR	-U712 264	M5264	E5927	D5307	H5359	P4217-A	FS03/04	—	DVX43#12~14
F007K(KD) F858K(KD) /FSP	-U712A 264	M5264	E5827	D5207	H5259	P5118-A (成品寬12mm用)	FS03/04	—	DVX43#11~16
F007K(KD) F858K(KD) /FY	-W722 388	M4388	E6828	D6207	H6259	P6117-A	FS03/04 /FY02	FY09	TV*7#12
F007K(KD) F858K(KD) /FW(FWP)	-W922 456 460 464	M5456 M5460 M5464	E1828 E1838 E1848	D1207P	H1259	P2428Q-A P2438Q-A P2448Q-A	FW28D	MH41	SM1014B#10 (MY1014B#70,
F007K(KD) F858K(KD) /FW(FWP)	-W923 456 460 464	M5456 M5460 M5464	E1828 E1838 E1848	D1207P	H1259	P2428Q-A P2438Q-A P2448Q-A	FW28D	MH41	SM1014B#10 (MY1014B#70, SY7256)

**SIRUBA**

PARTS LIST

Series  
**F007K/F007KD**  
**F858K/F858KD**

Parts Group  
**FAC-K**

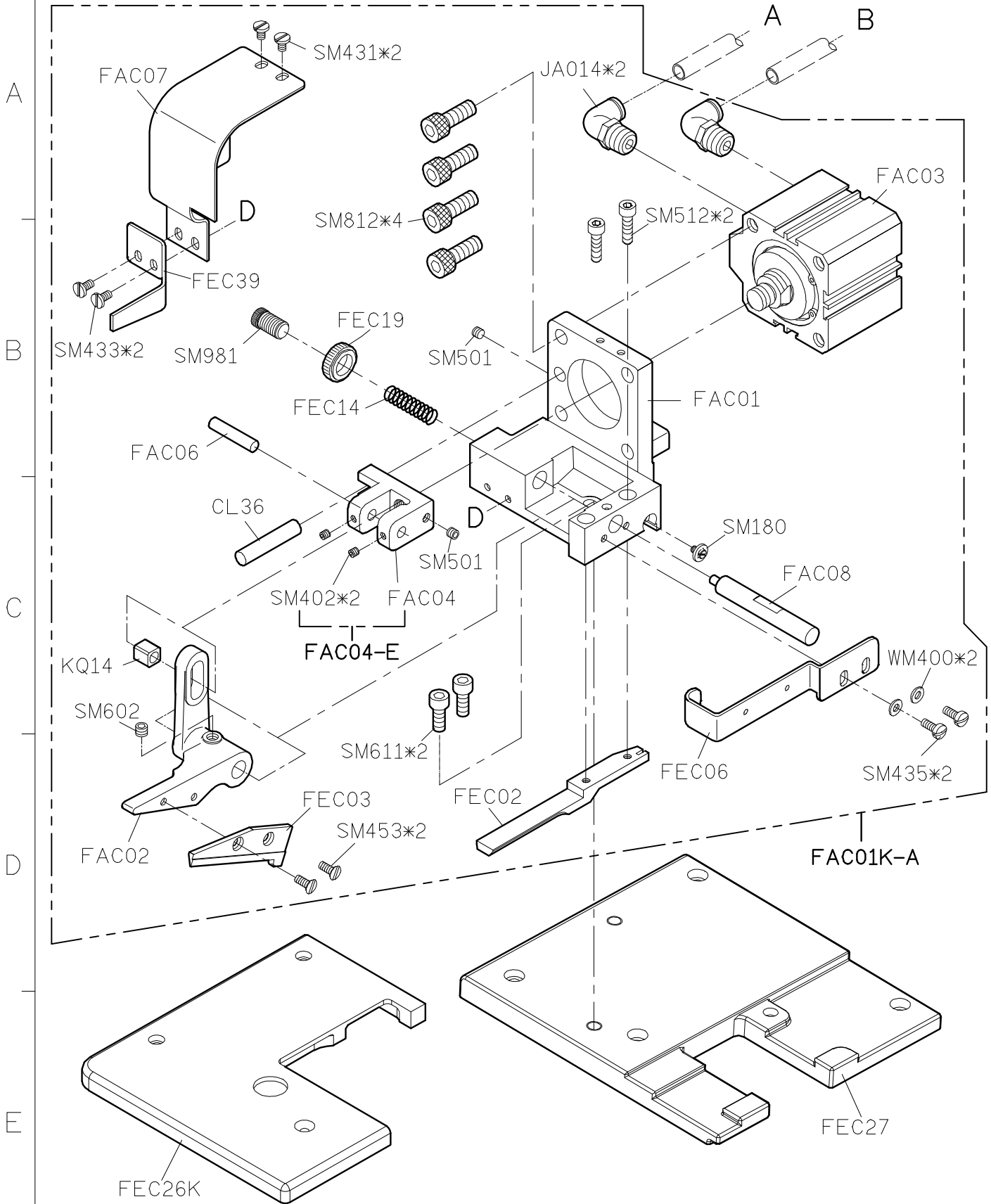
Subclass / Remark

Page

1/2

Date

2012/10/31



1

2

3

4

5



**SIRUBA**

PARTS LIST

Series

**F007K/F007KD  
F858K/F858KD**

Parts Group

**FAC-K**

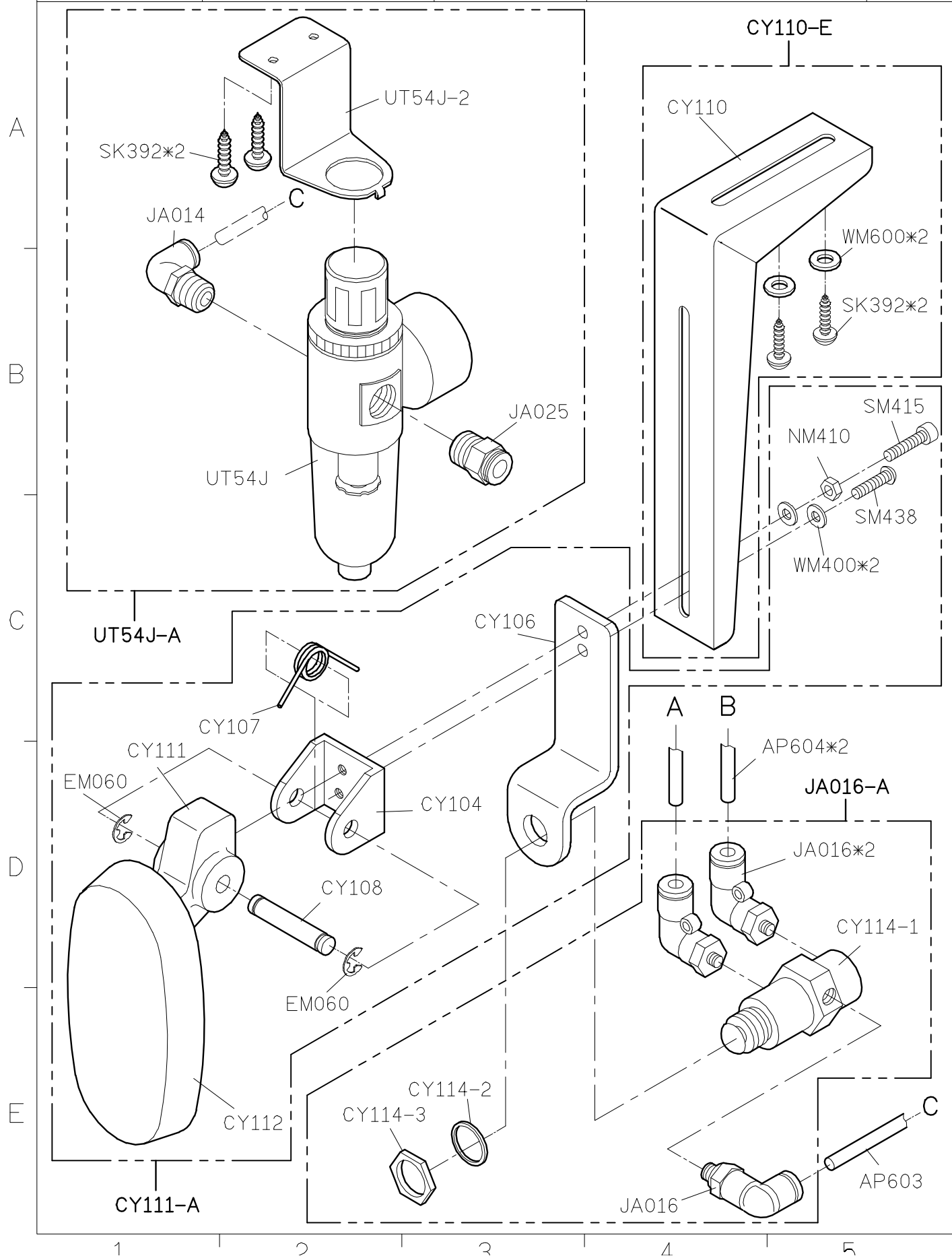
Subclass / Remark

Page

2/2

Date

2012/10/31



<b>SIRUBA</b> PARTS LIST	Series	Parts Group	Subclass / Remark	Page
	F007K/F007KD F858K/F858KD	<b>FBP-K</b>		1/1
				Date
				2012/10/31

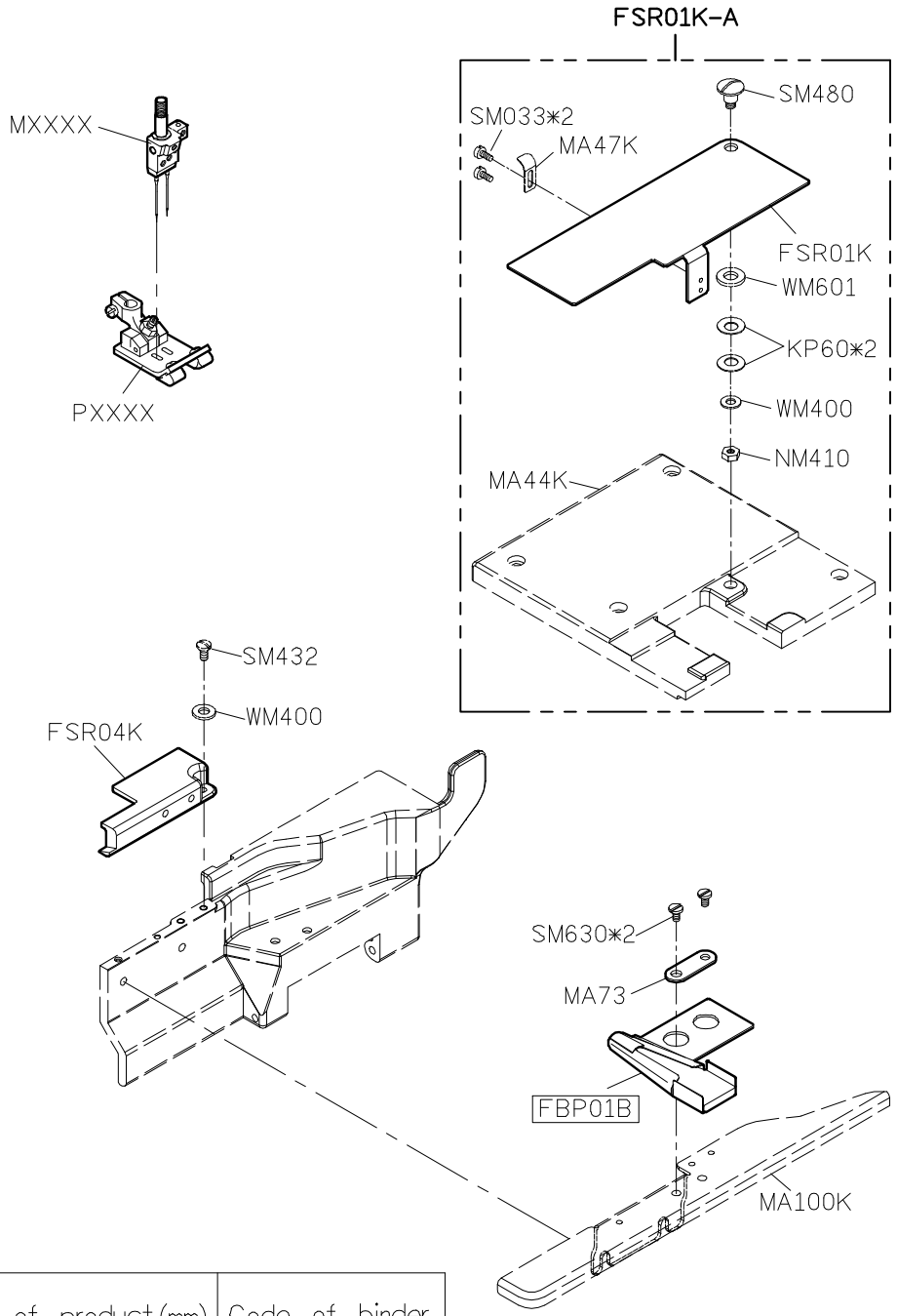
A

B

C

D

E



Stitch length	Size of product(mm)	Code of binder
5.6	9	FBP01A
5.6	10	FBP01B
6.4	12	FBP01C

**SIRUBA**

PARTS LIST

Series

F007K/F007KD  
F858K/F858KD

Parts Group

**FDC-K**

Subclass / Remark

Page

1/1

Date

2012/10/31

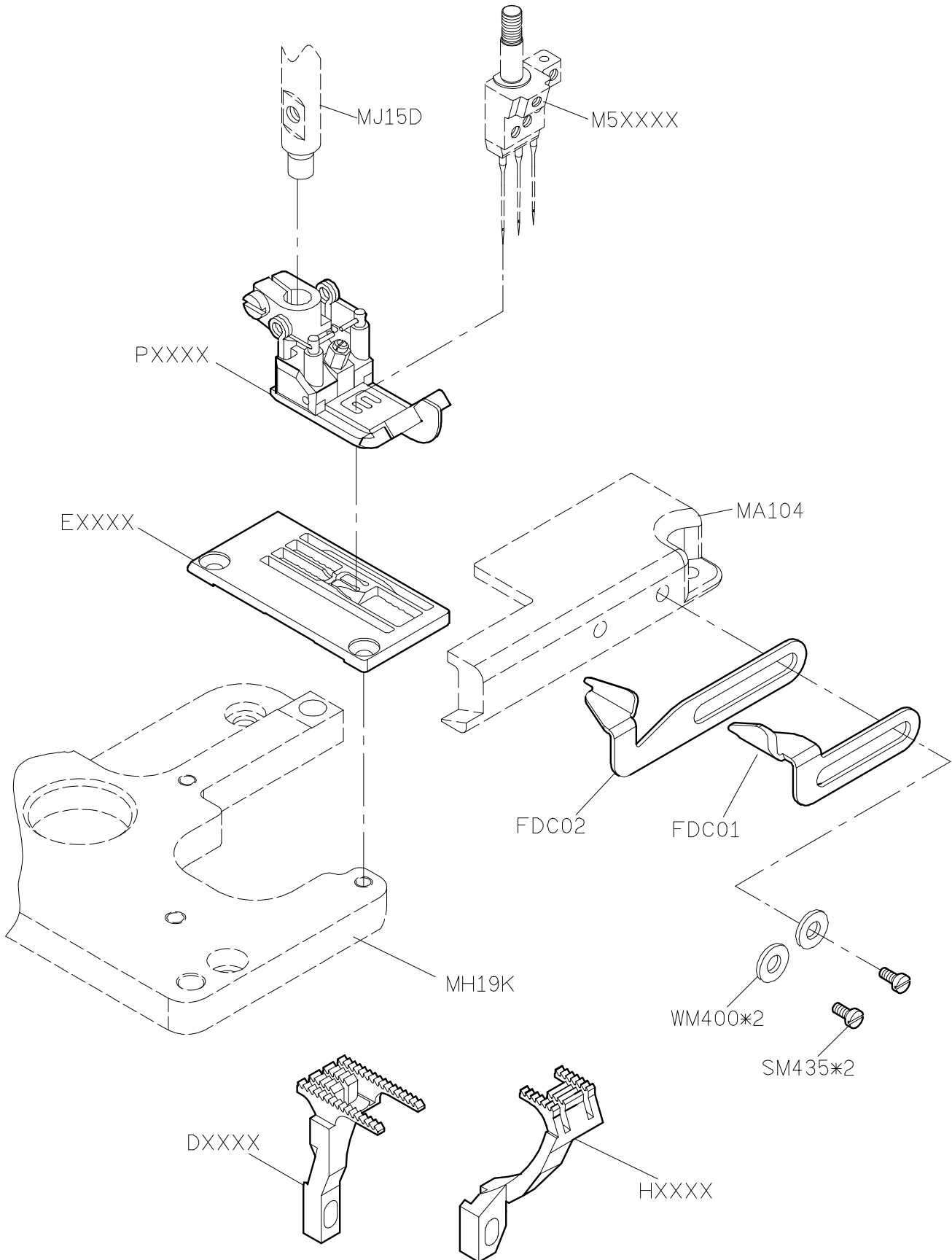
A

B

C

D

E



1

2

3

4

5

**SIRUBA**

PARTS LIST

Series

F007K/F007KD  
F858K/F858KD

Parts Group

**FDE-K**

Subclass / Remark

Page

1/1

Date

2012/10/31

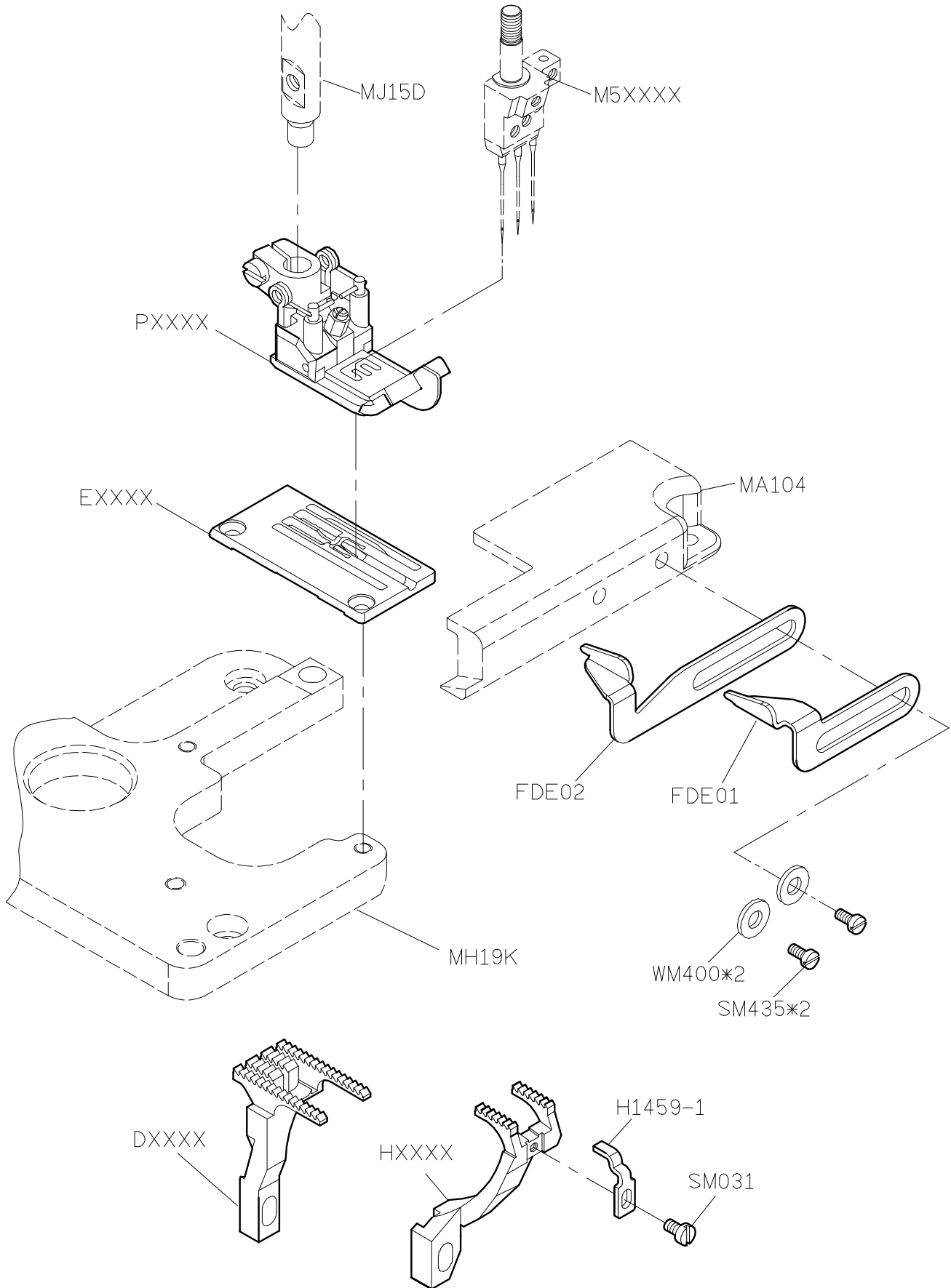
A

B

C

D

E



1

2

3

4

5

**SIRUBA**

PARTS LIST

**F007K/F007KD  
F858K/F858KD**

Parts Group  
**FEC-K**

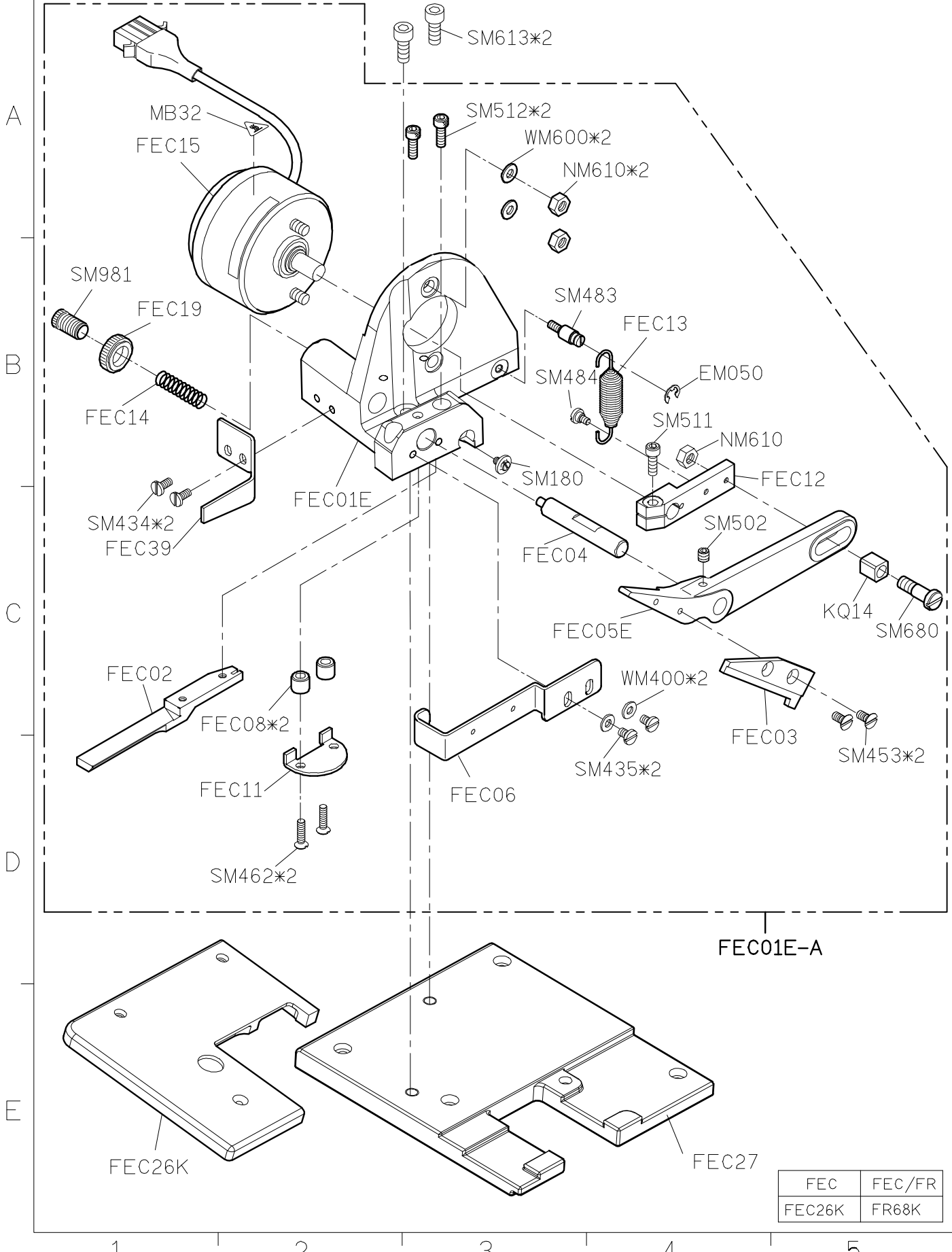
Subclass / Remark

Page

1/4

Date

2012/10/31



**SIRUBA**

PARTS LIST

F007K/F007KD  
F858K/F858KD

Parts Group  
**FEC-K**

Subclass / Remark

Page

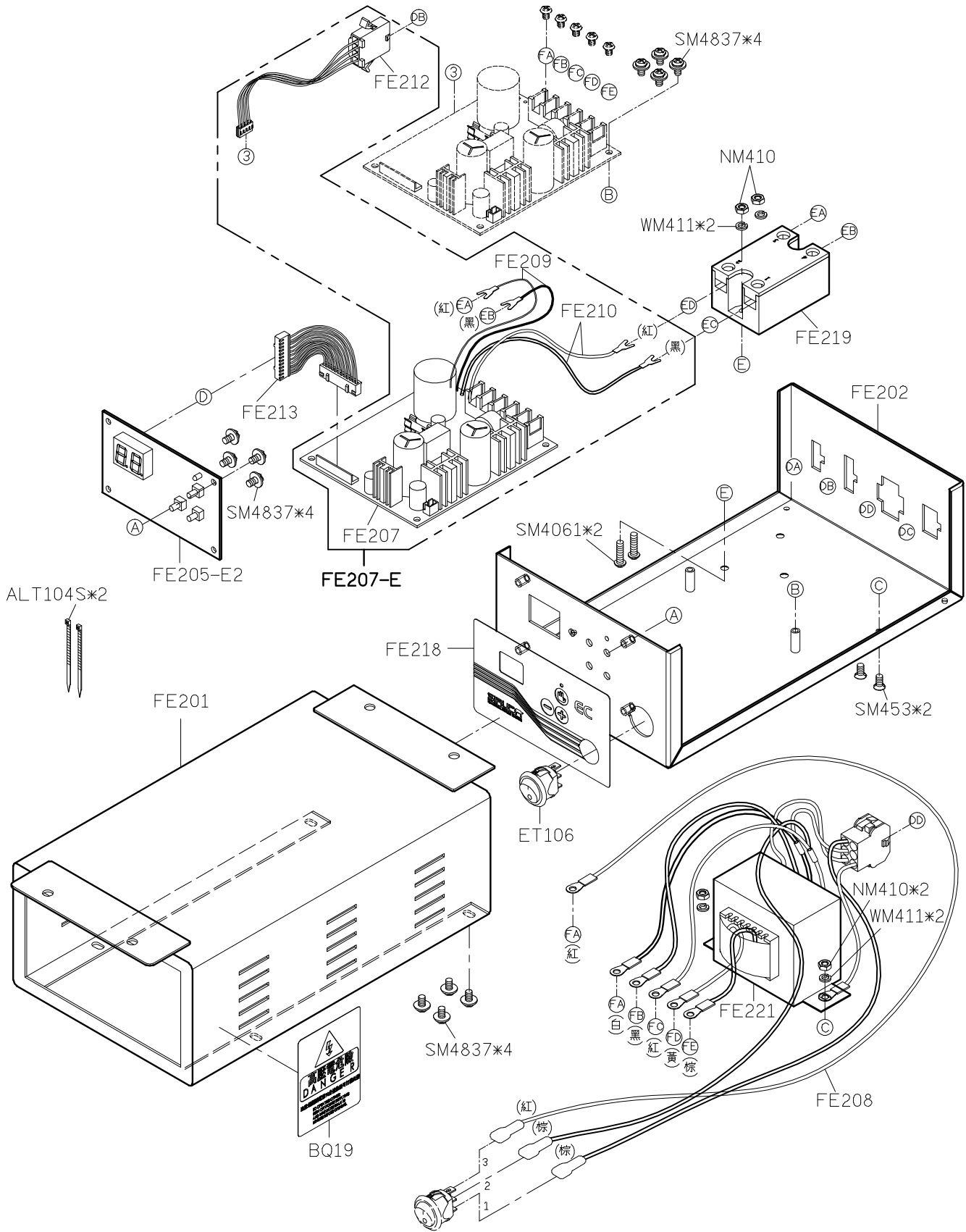
2/4

Date

2012/10/31

FE202-A

A  
B  
C  
D  
E



1 2 3 4 5

**SIRUBA**

PARTS LIST

F007K/F007KD  
F858K/F858KD

Parts Group  
**FEC-K**

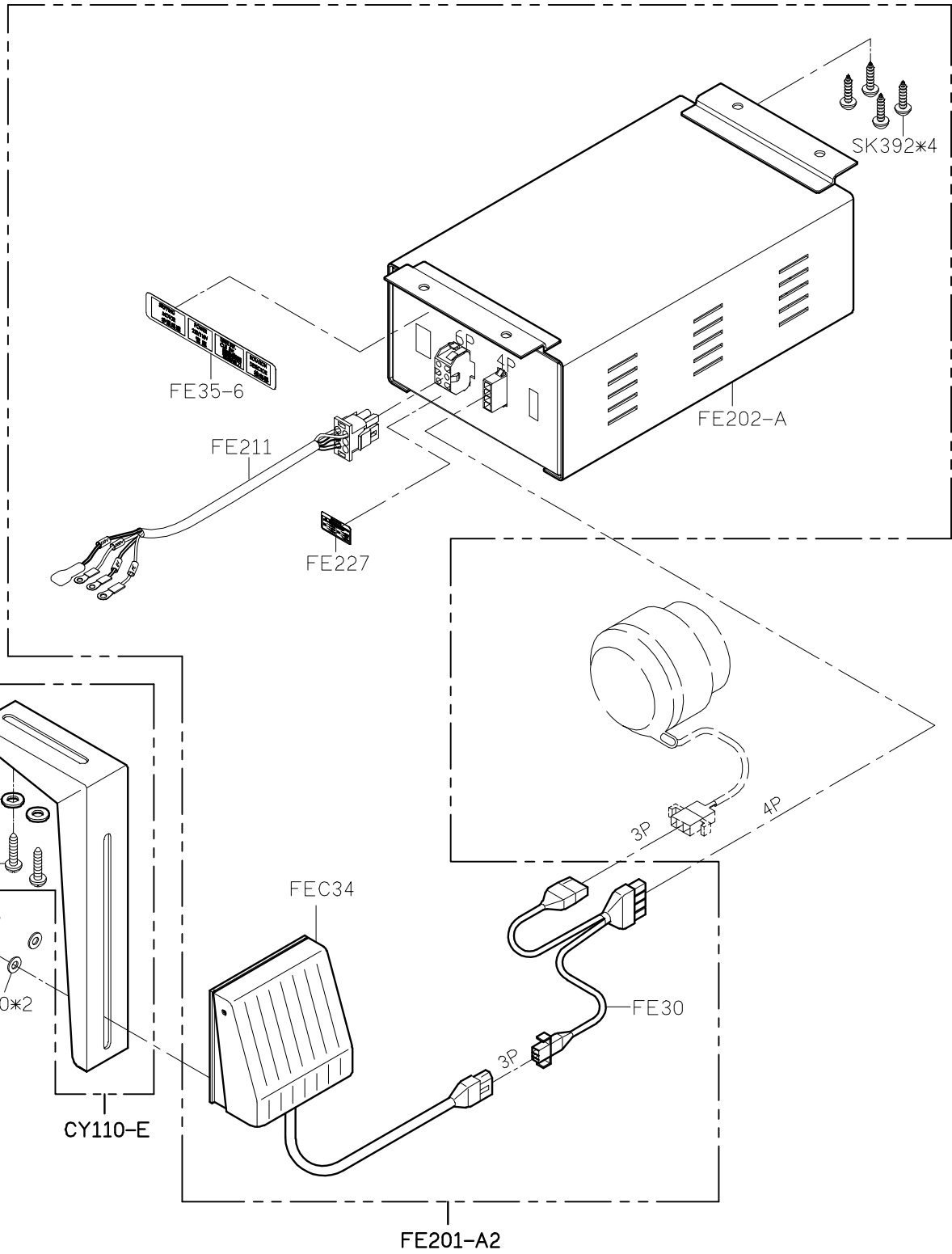
Subclass / Remark

Page

3/4

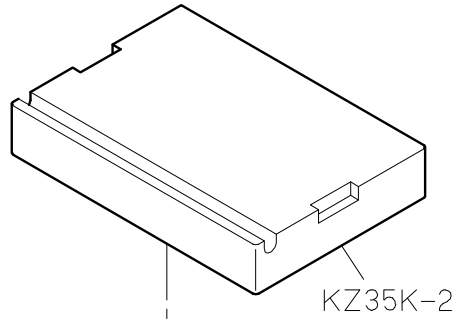
Date

2012/10/31

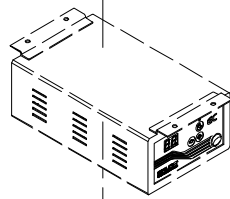


<b>SIRUBA</b> PARTS LIST		Parts Group	Subclass / Remark	Page
	F007K/F007KD F858K/F858KD	<b>FEC-K</b>		4/4
				Date
				2012/10/31

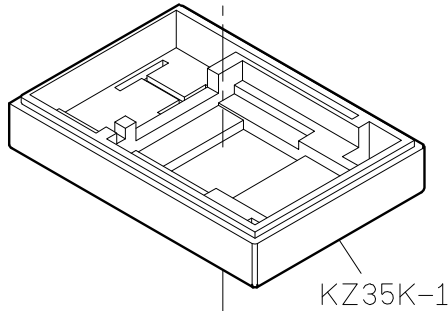
A



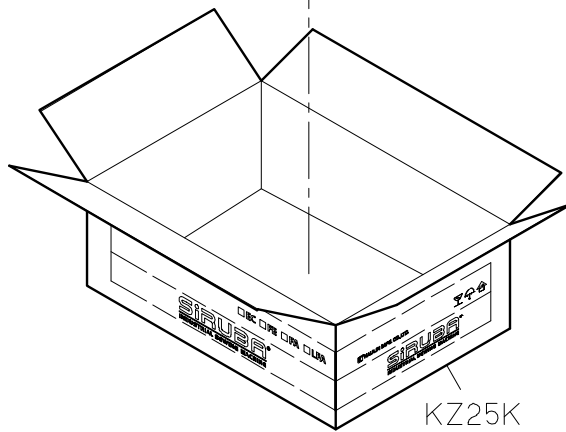
B



C

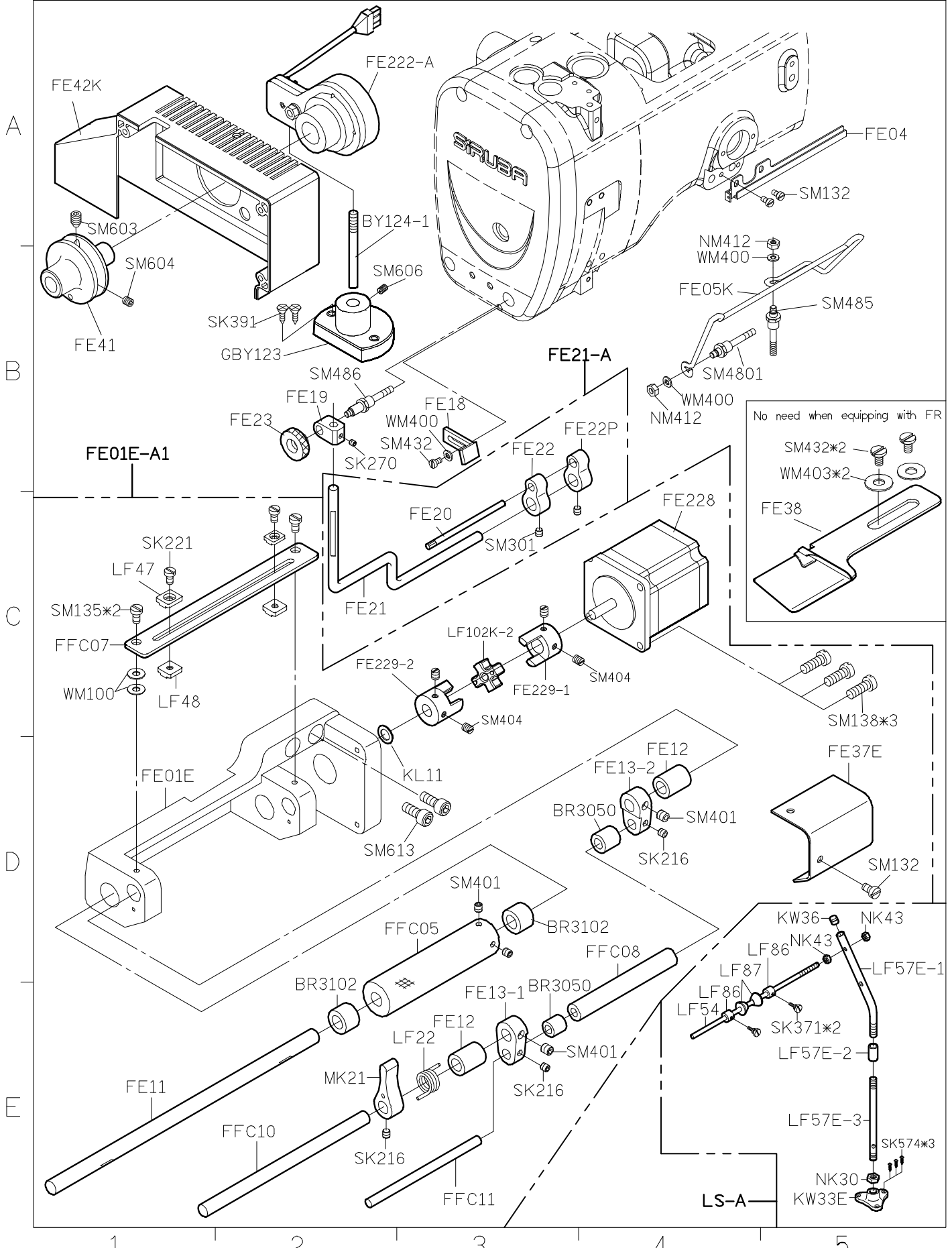


D



E

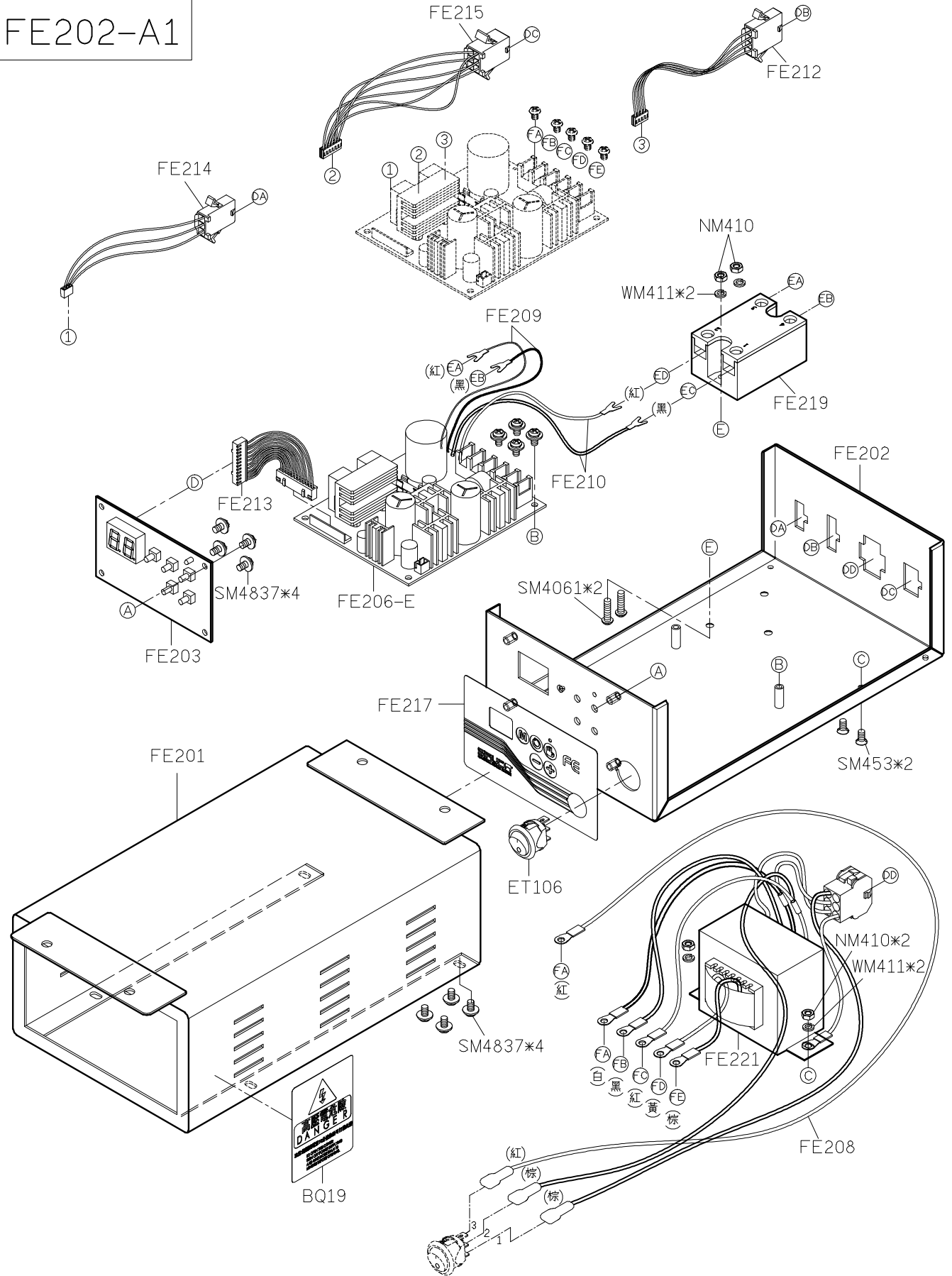




<b>SIRUBA</b> <b>PARTS LIST</b>	<b>F007K/F007KD</b> <b>F858K/F858KD</b>	Parts Group	Subclass / Remark	Page
		<b>FE-K</b>	<b>For F007K/F858K</b>	2/3
				Date
				2012/10/31

FE202-A1

A  
B  
C  
D  
E



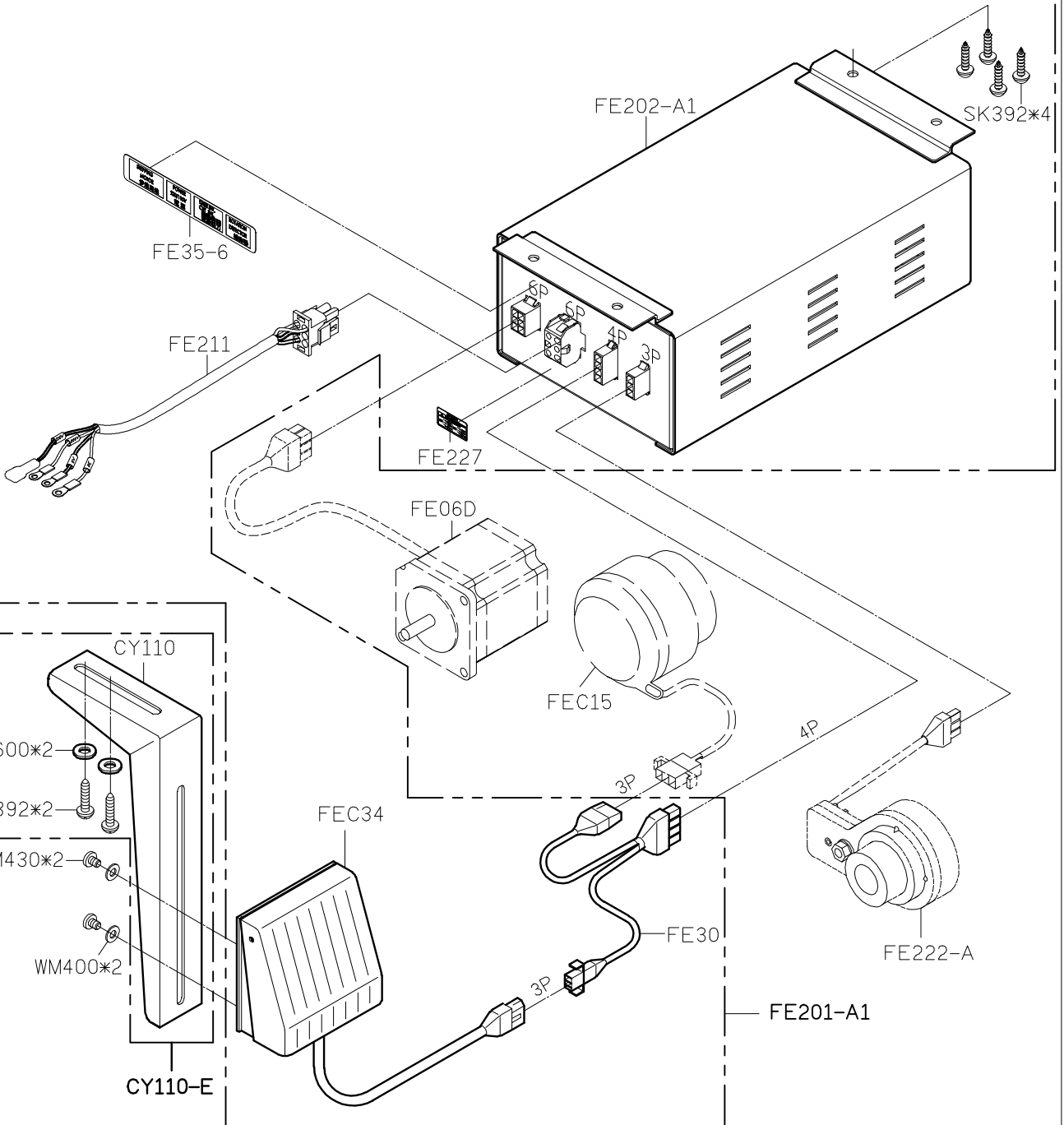
A

B

C

D

E



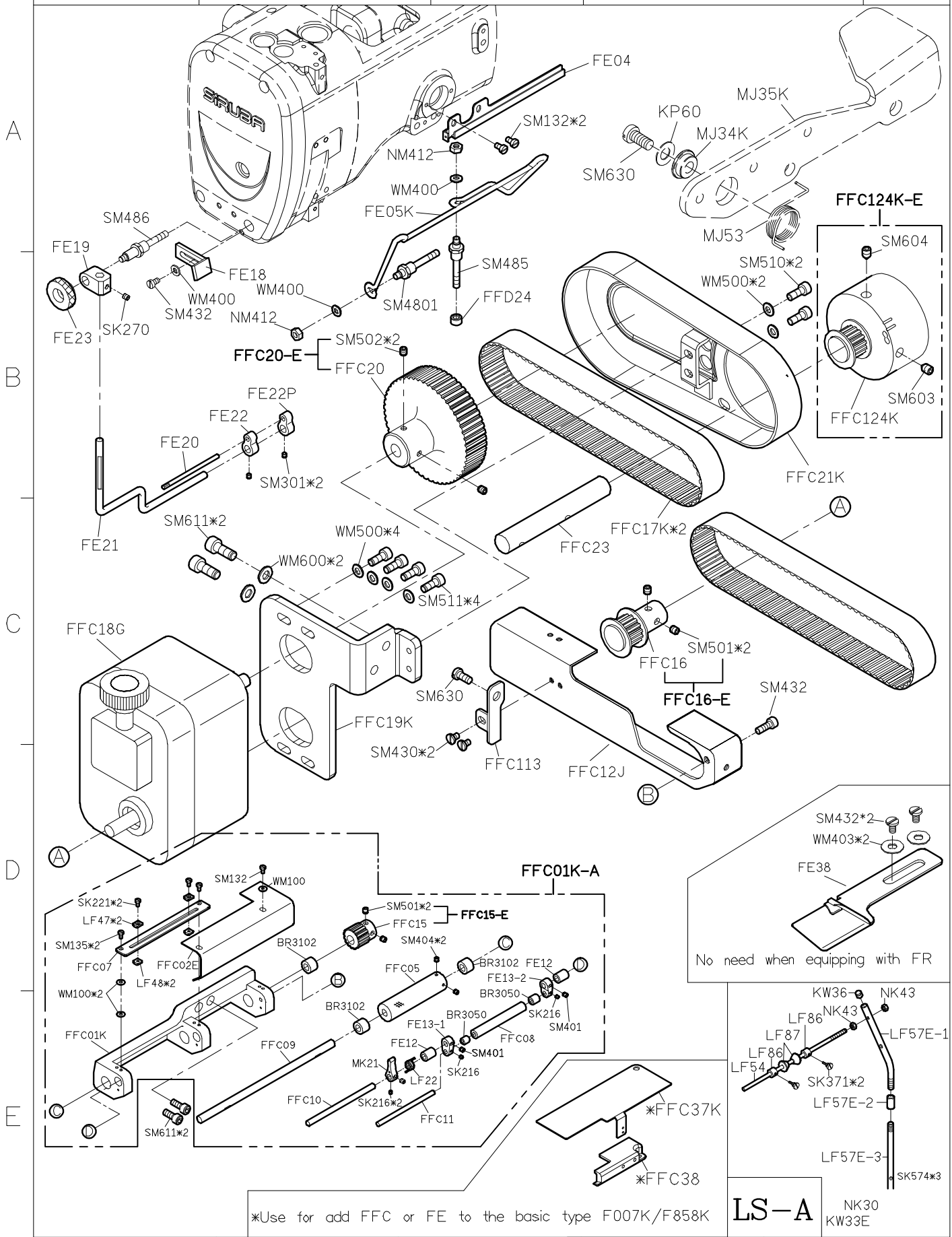
**SIRUBA**  
PARTS LIST

**F007K/F007KD**  
**F858K/F858KD**

Parts Group  
**FFC-K**

Subclass / Remark  
For F007K/F858K

Page  
1/1  
Date  
2012/10/31



\*Use for add FFC or FE to the basic type F007K/F858K

**LS-A**

NK30  
KW33E

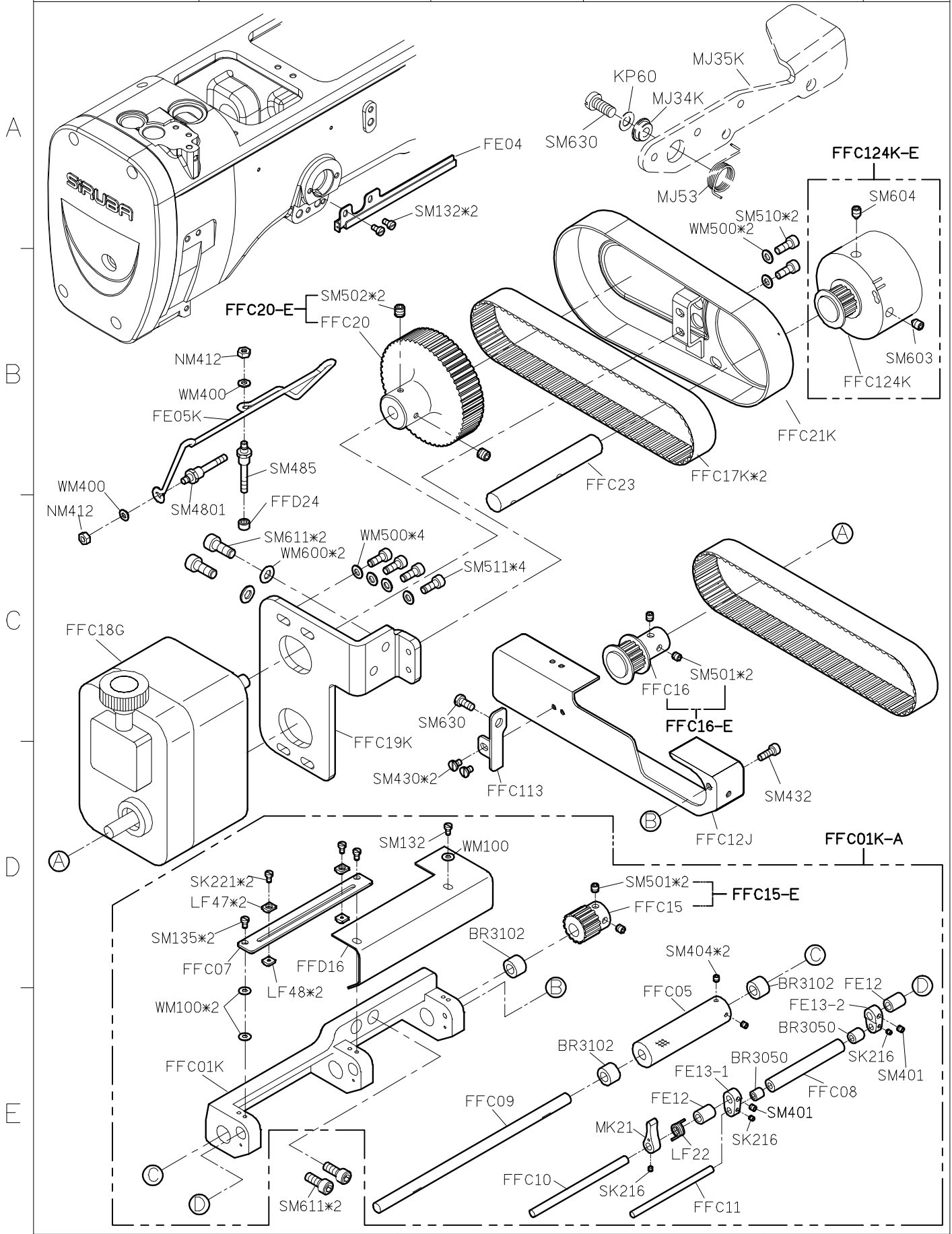
1

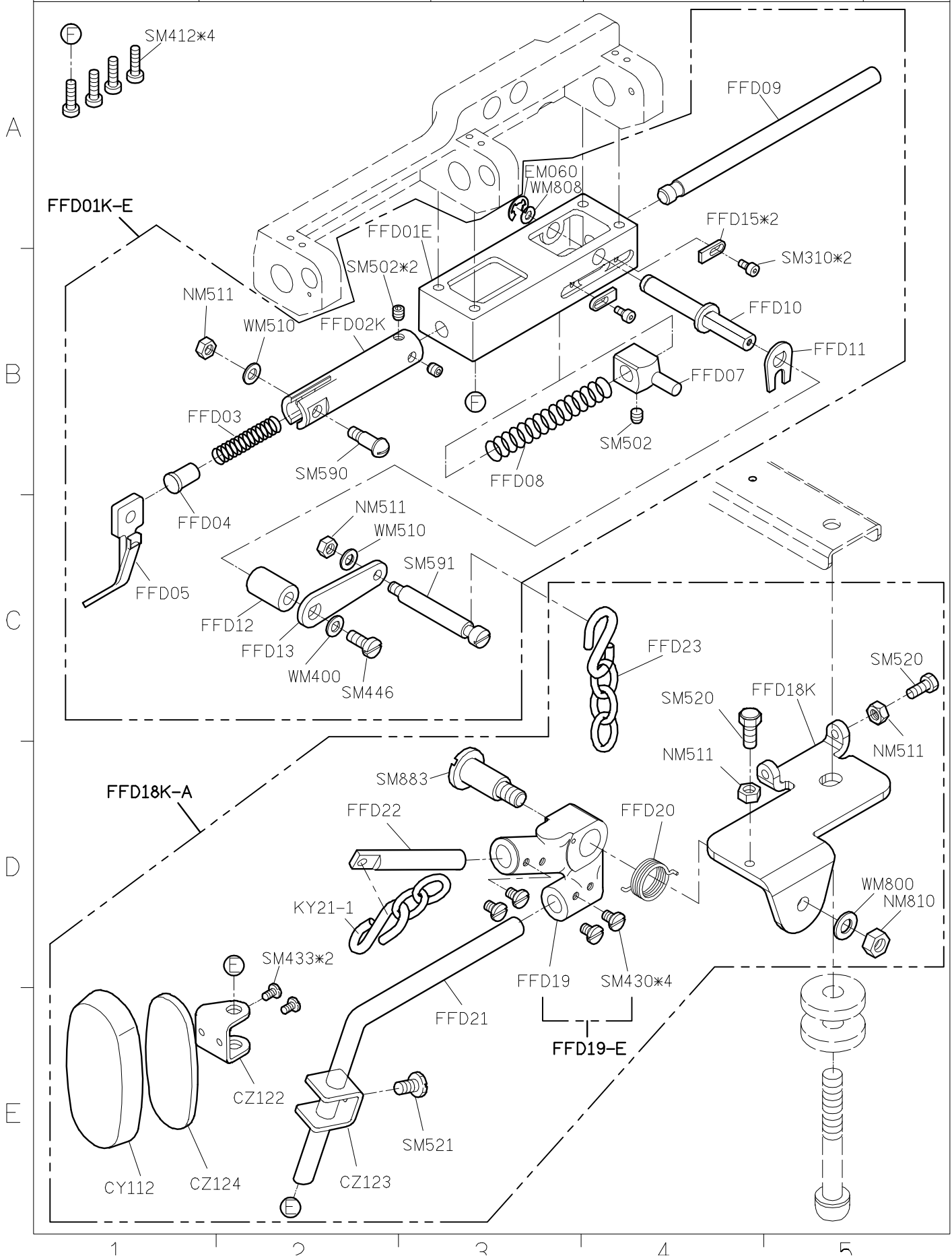
2

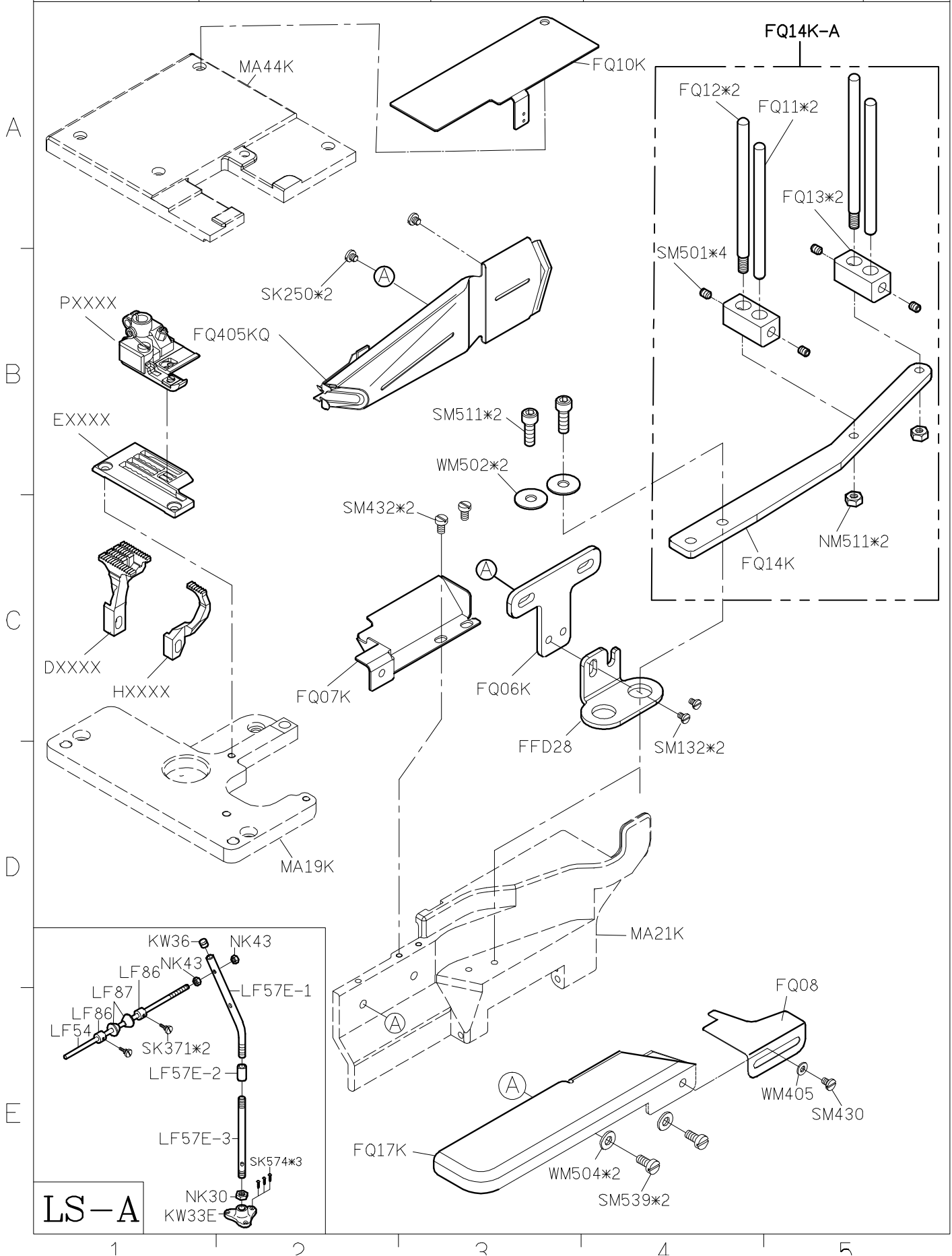
3

4

5

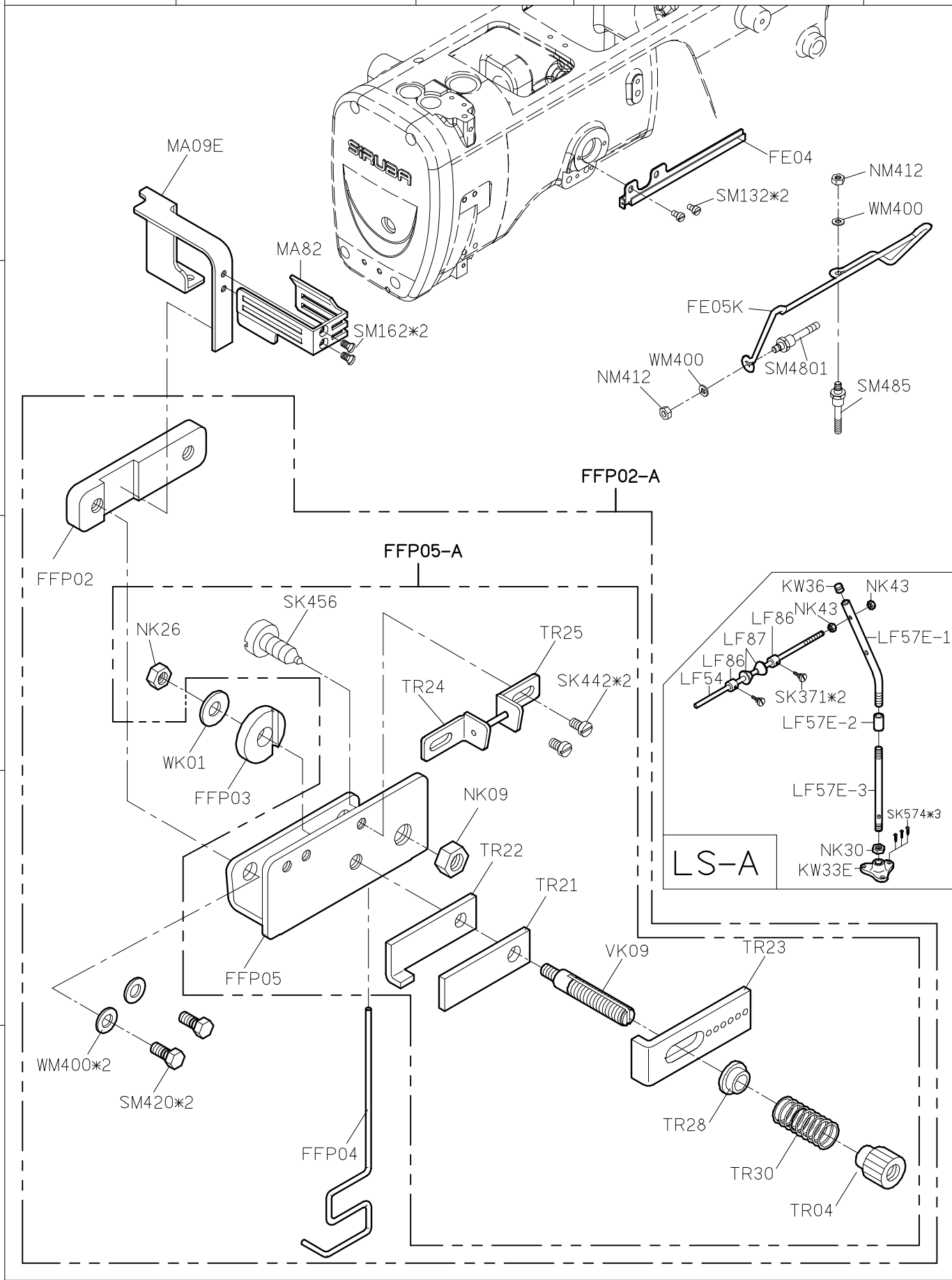






A  
B  
C  
D  
E

1 2 3 4 5





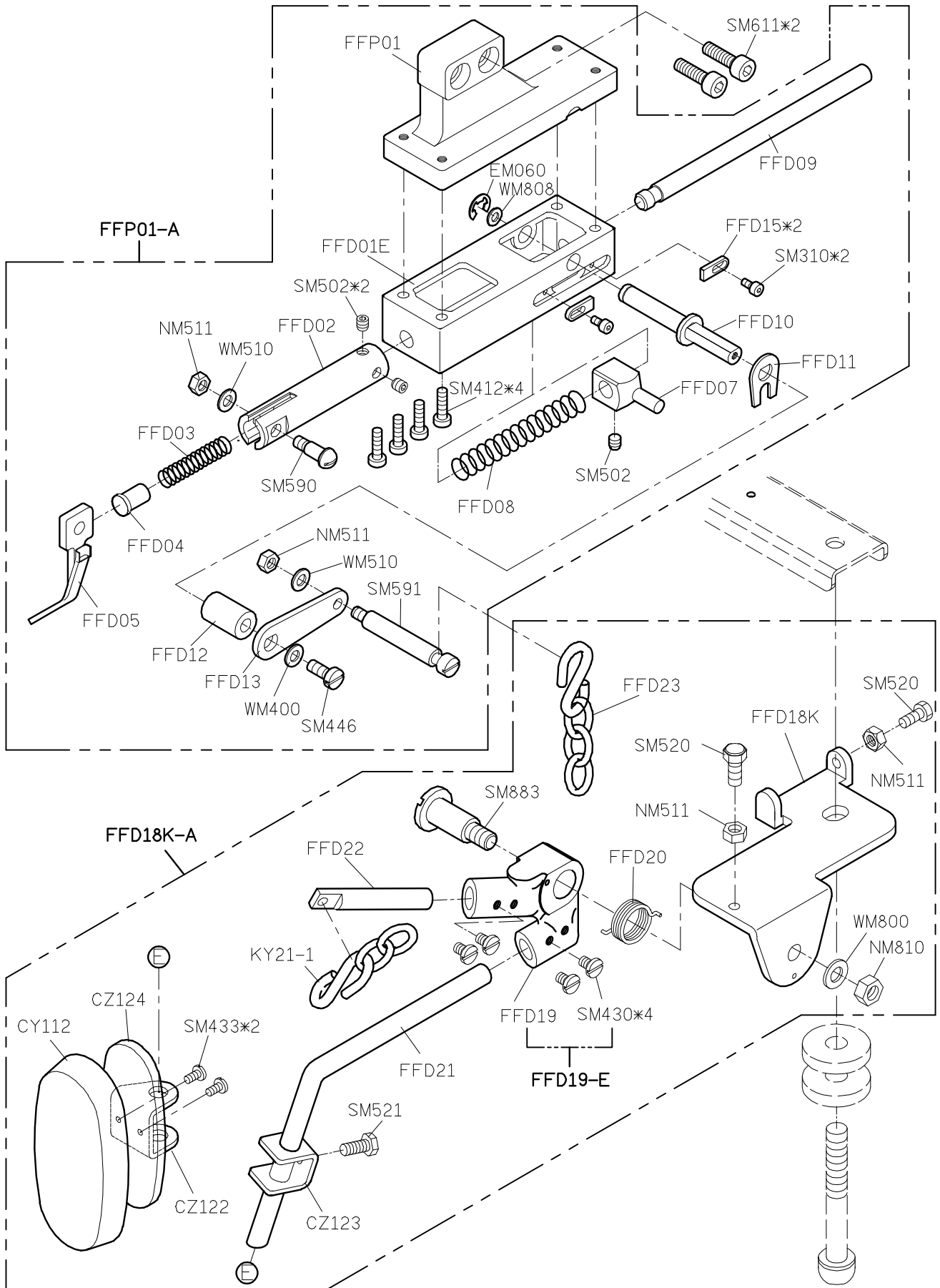
A

B

C

D

E



1

2

3

4

5

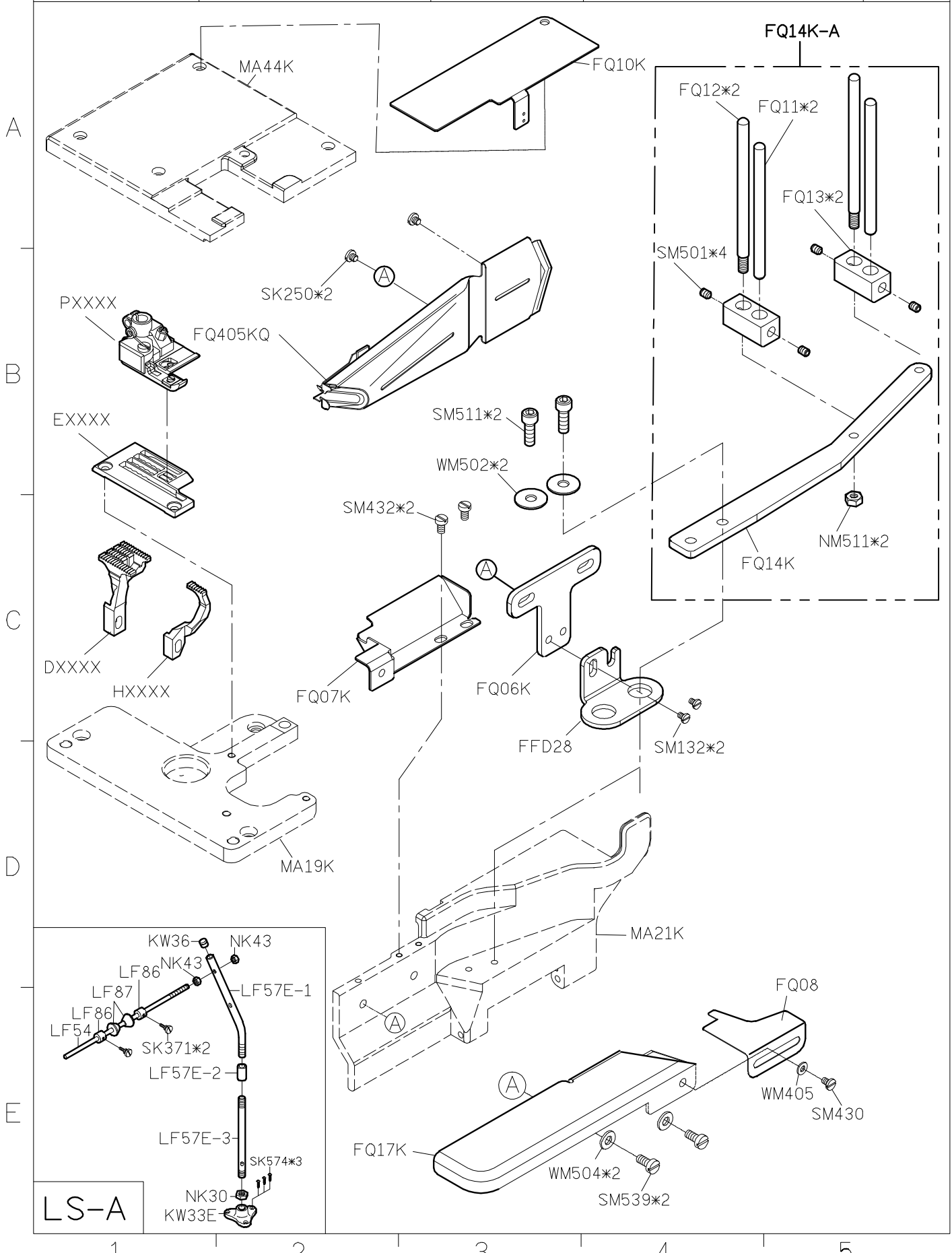
**SIRUBA**  
PARTS LIST

**F007K/F007KD**  
**F858K/F858KD**

Parts Group  
**FFP-K**

Subclass / Remark  
For F007K/F858K

Page  
3/3  
Date  
2012/10/31

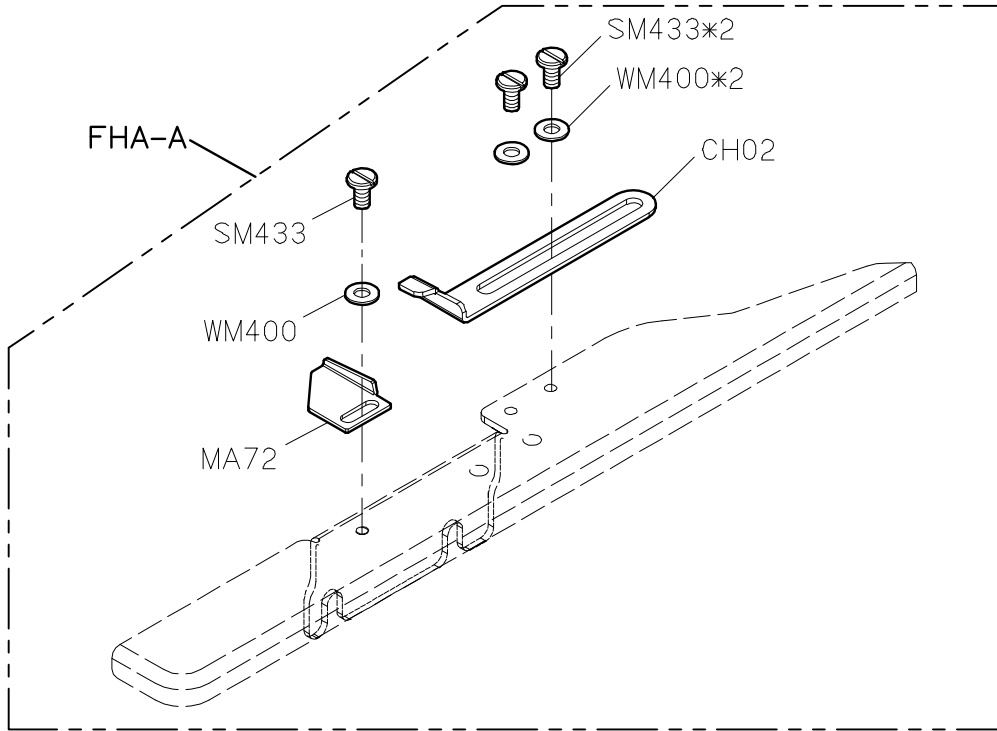


LS-A

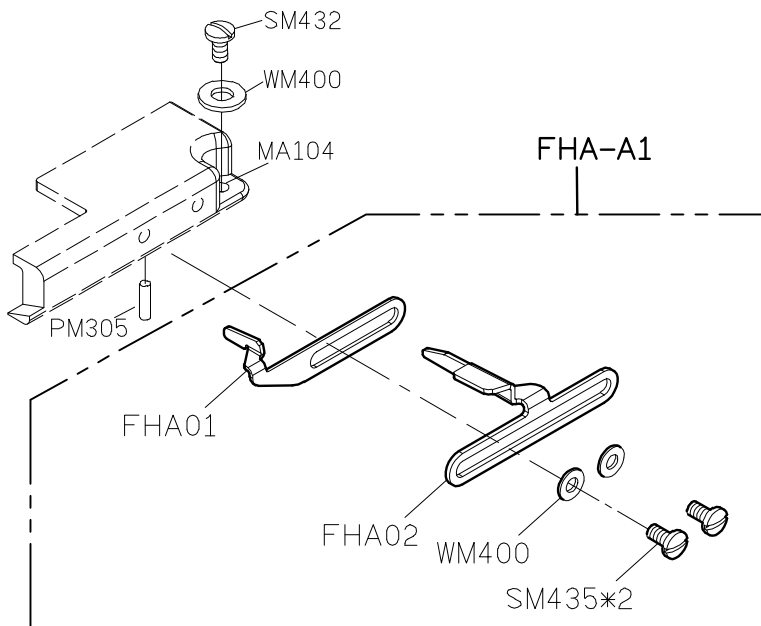
1 2 3 4 5

SIRUBA PARTS LIST	Series	Parts Group	Subclass / Remark	Page
	F007K/KD F858K/KD	FHA-K		1/1
				Date 2012/10/31

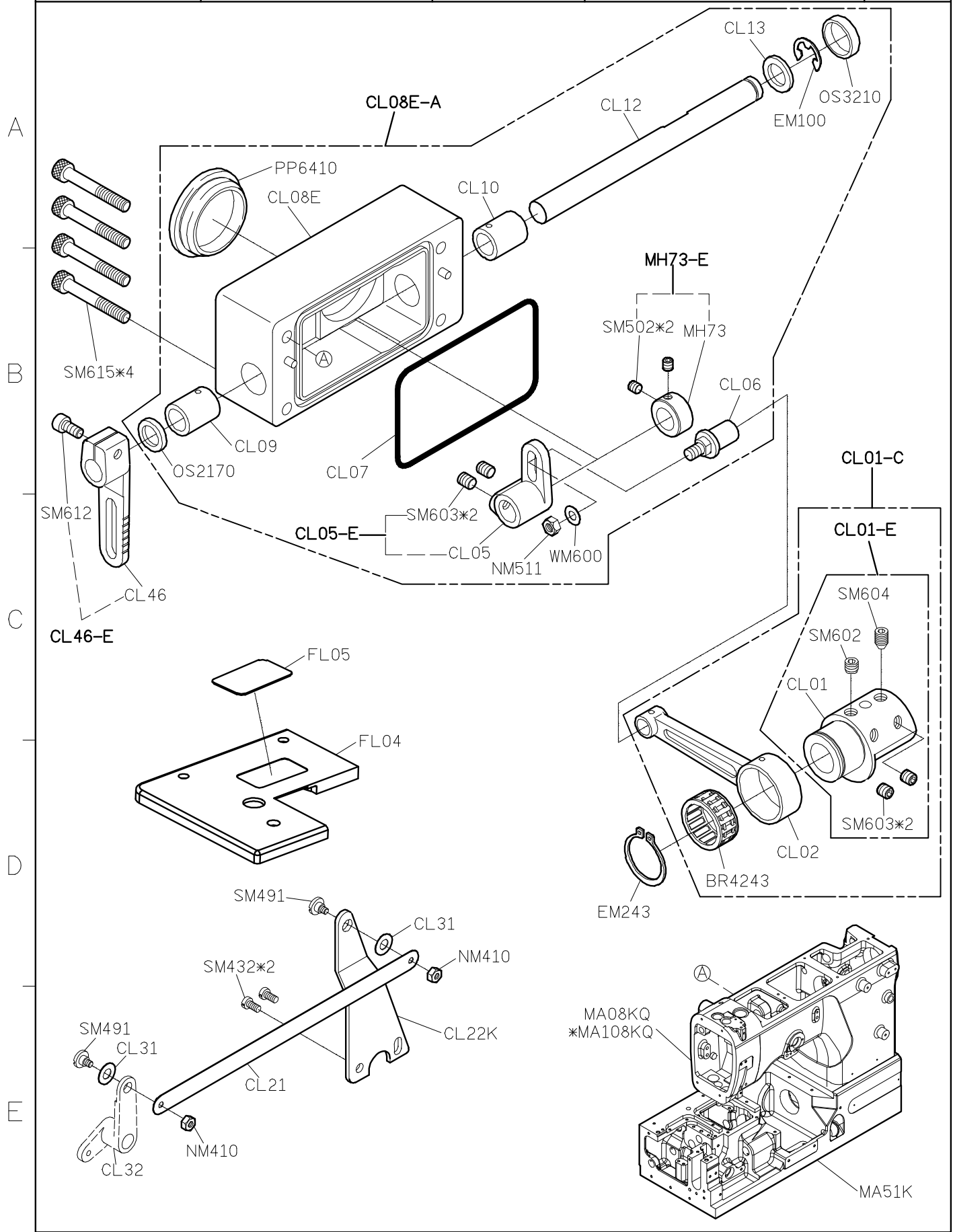
FOR FHA TYPE

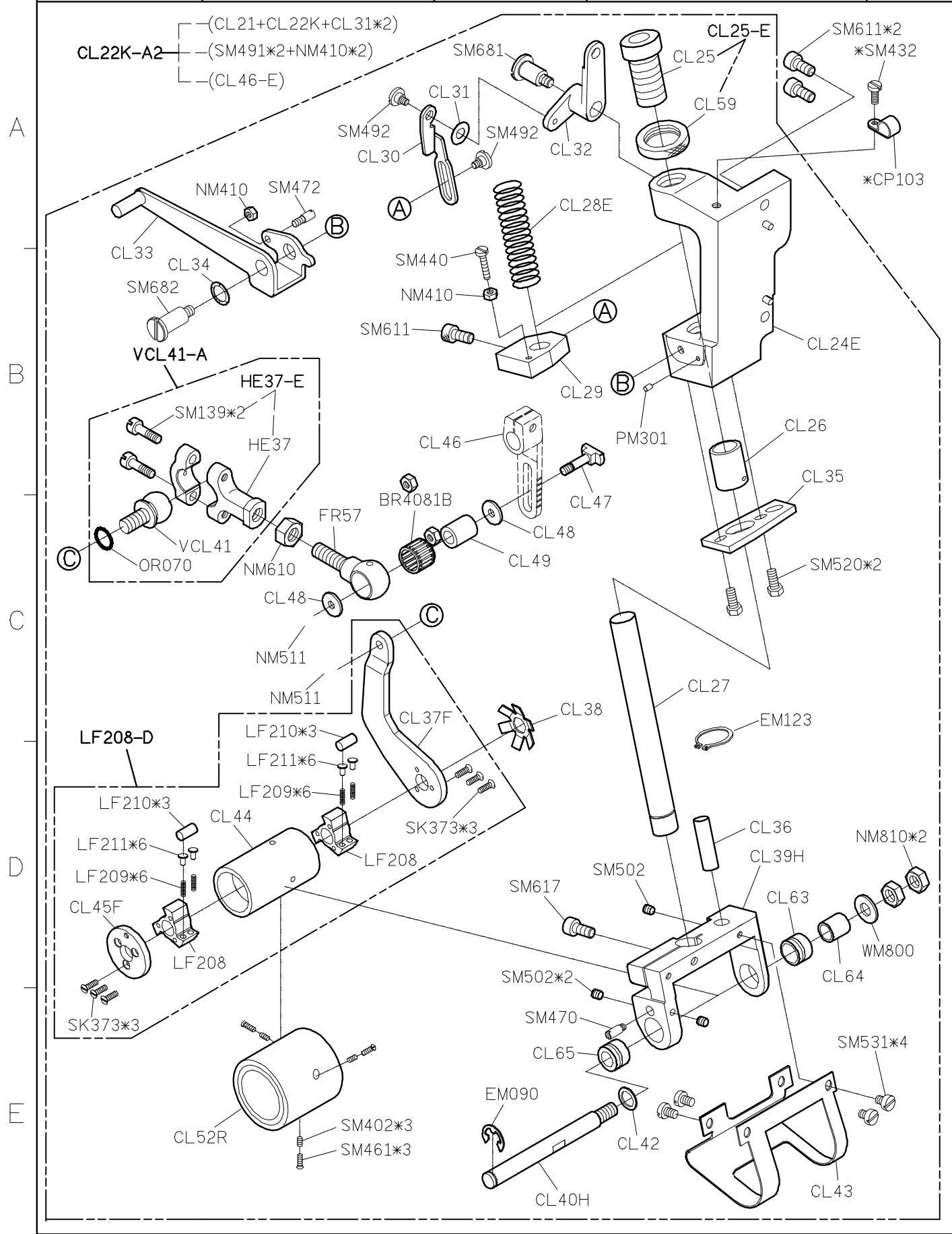


FOR FHA/FQ TYPE  
OPTION DEVICE FOR FQ MACHINE  
CONVERT TO FHA BOTTOM HEMMING



SIRUBA PARTS LIST	Parts Group		Subclass / Remark	Page
	F007K/F007KD		FL-K	1/2
	F858K/F858KD			Date
		2012/10/31		





SIRUBA PARTS LIST	Series	Parts Group	Subclass / Remark	Page
	F007K/F007KD	FP-K		1/1
	F858K/F858KD			Date
	2012/10/31			

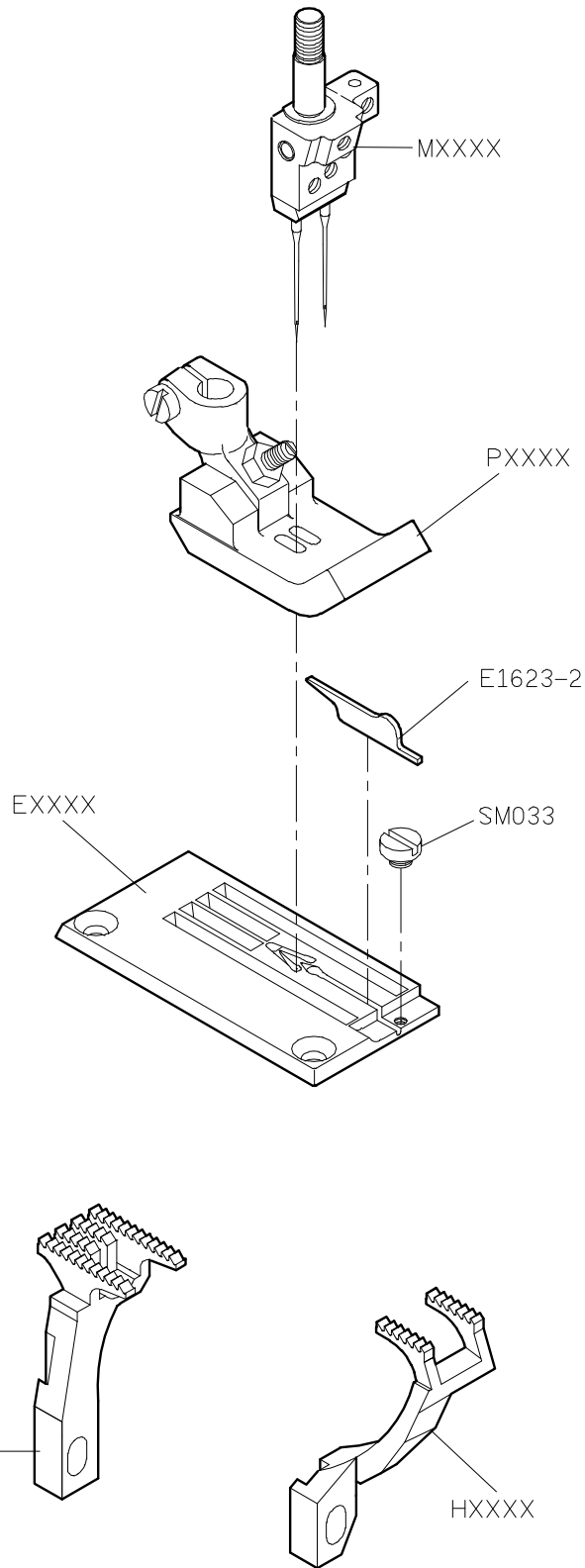
A

B

C

D

E



**SIRUBA**

**PARTS LIST**

**Series**  
**F007K/F007KD**  
**F858K/F858KD**

**Parts Group**  
**FQ-K**

**Subclass / Remark**

**Page**

1/1

Date

2012/10/31

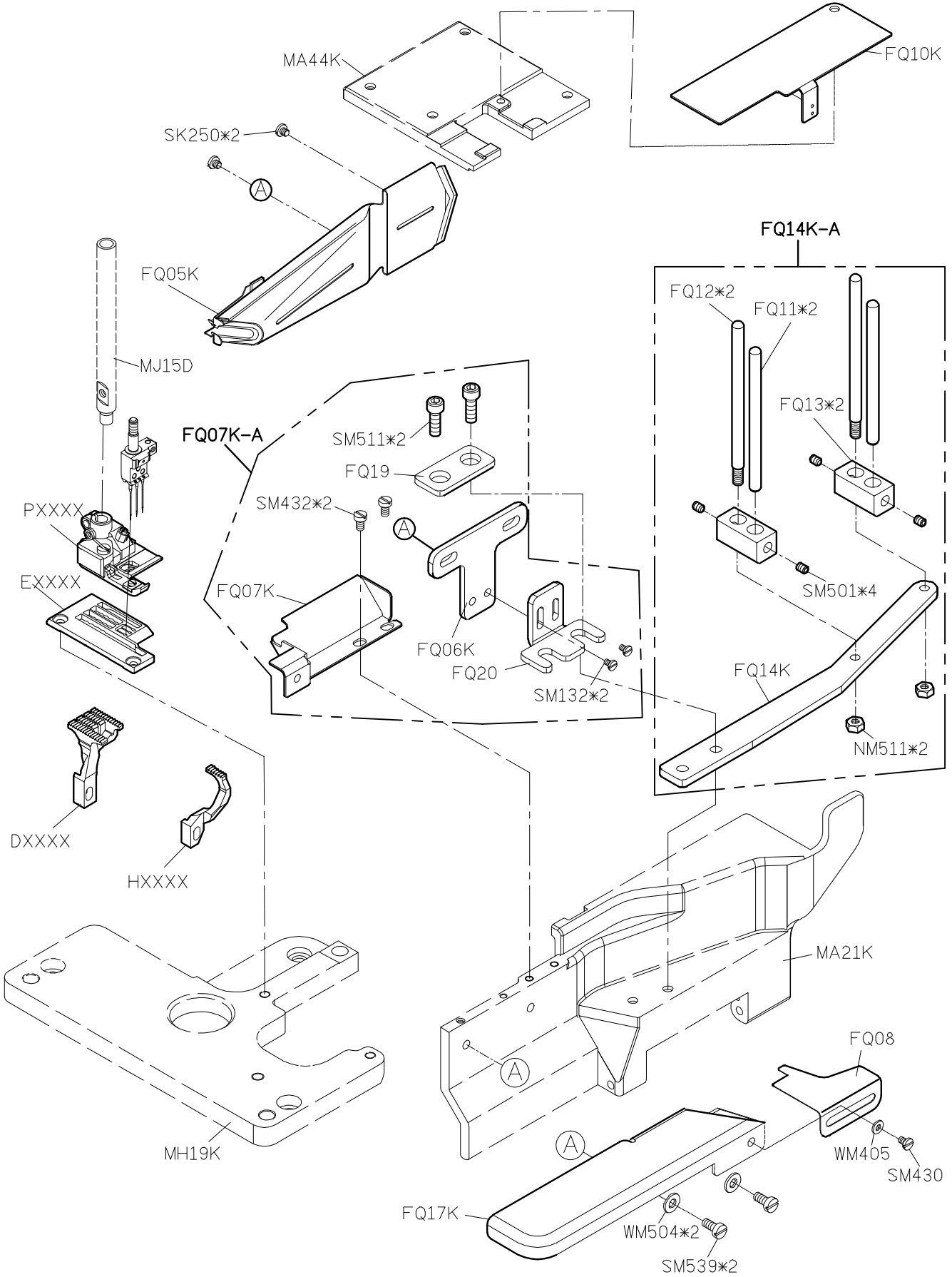
A

B

C

D

E



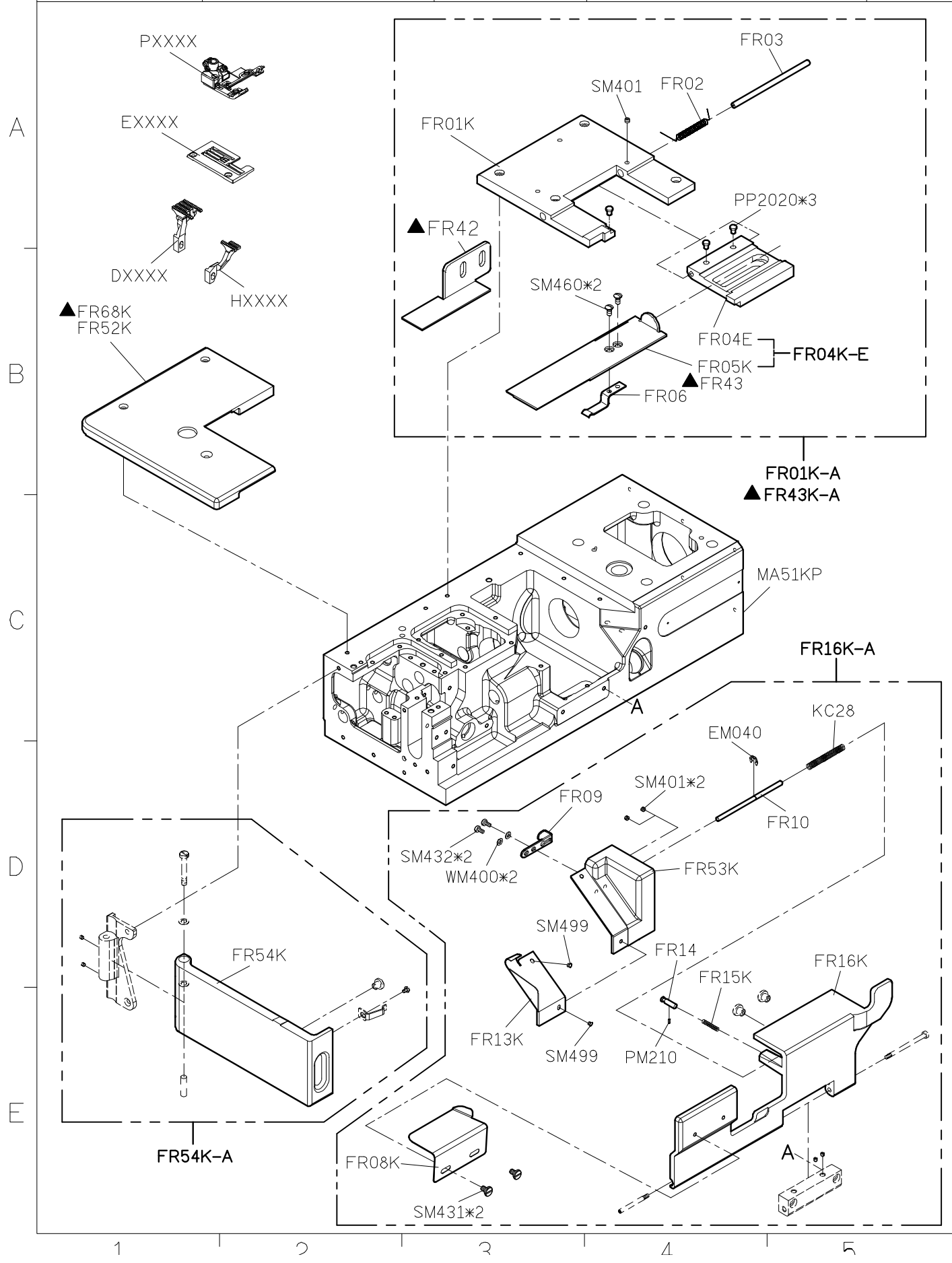
1

2

3

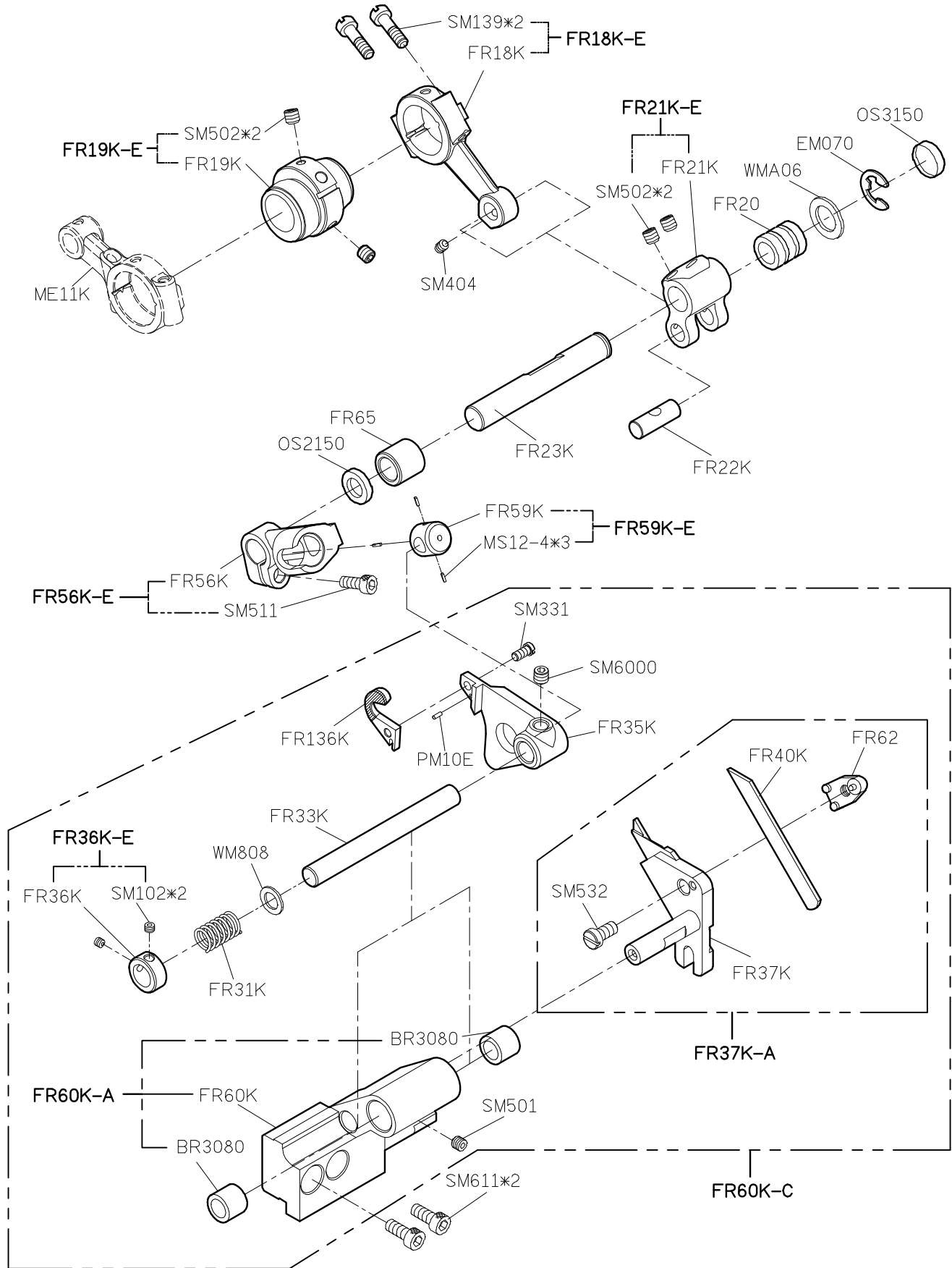
4

5



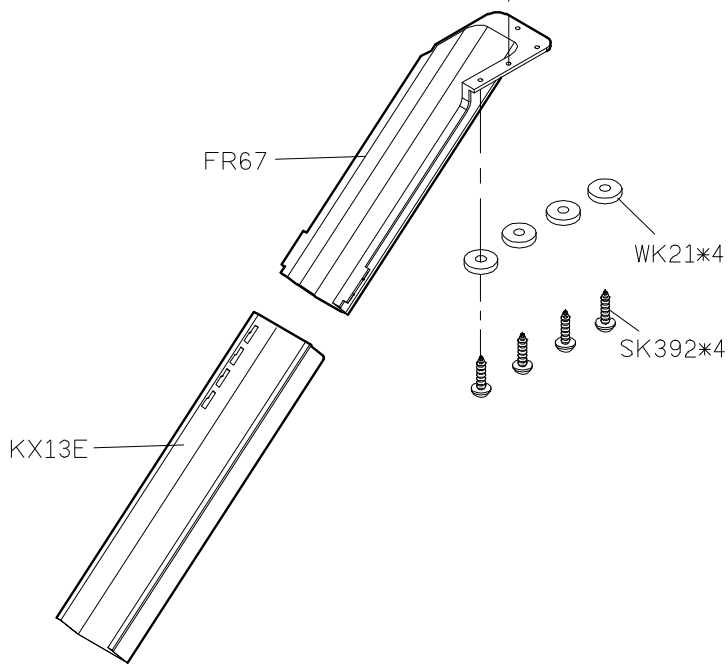
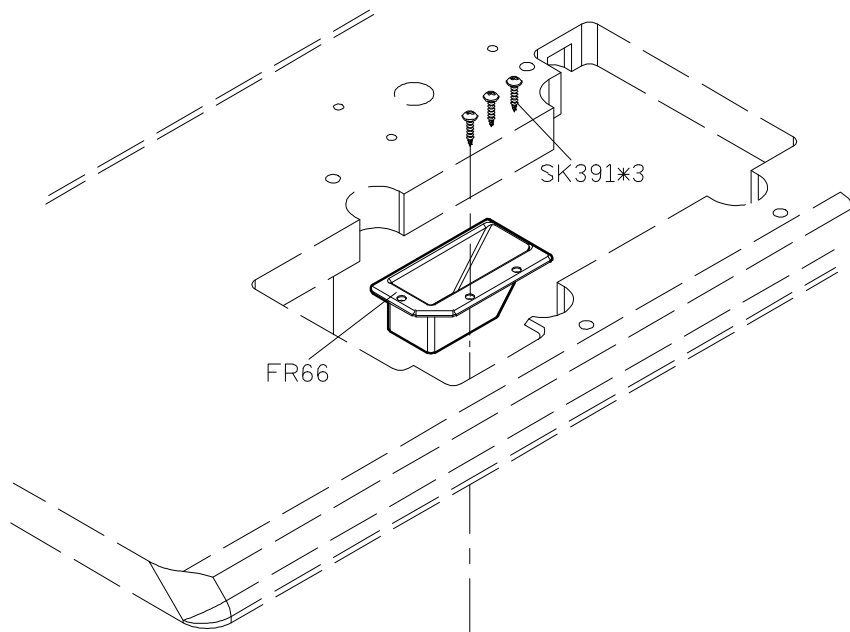


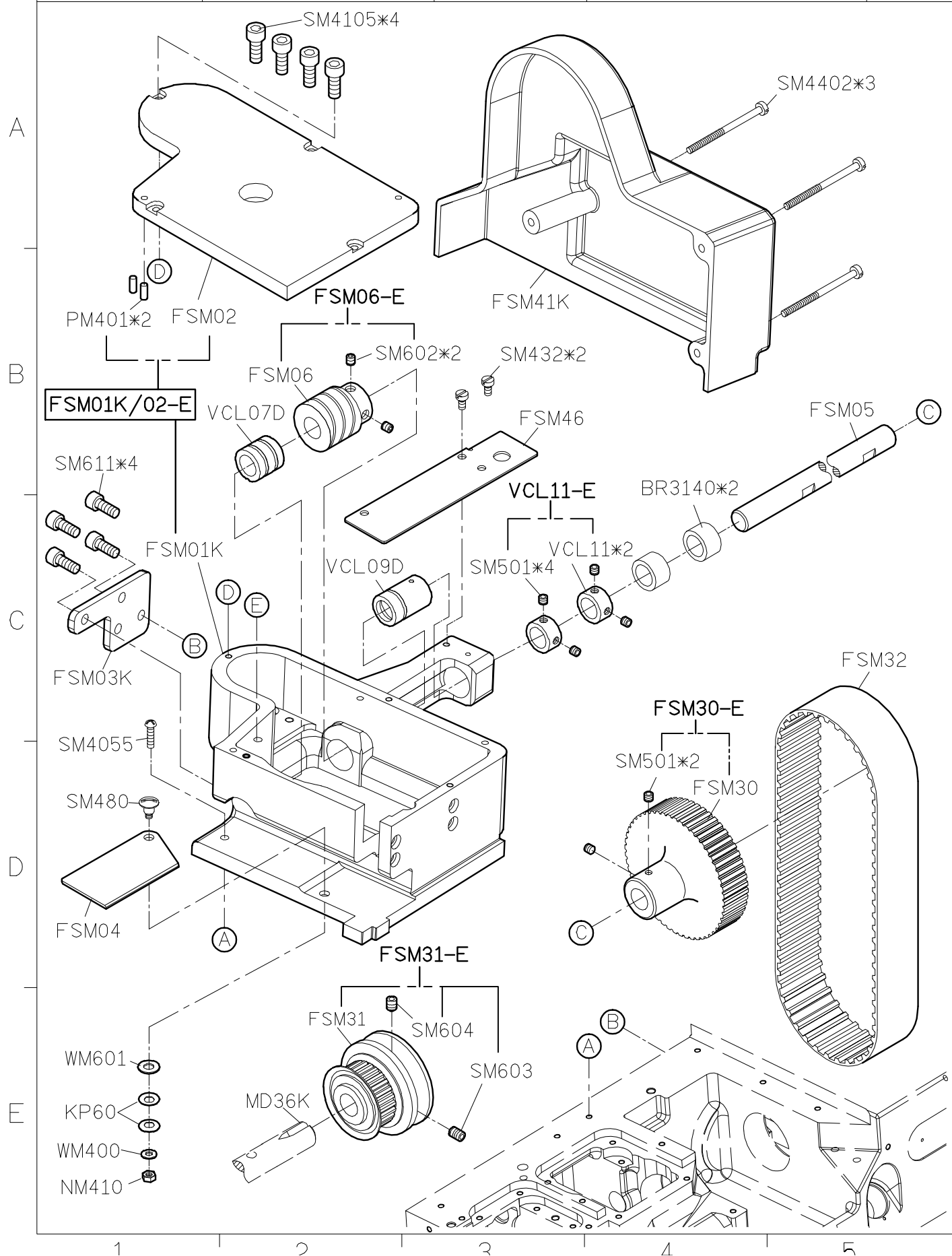
A  
B  
C  
D  
E

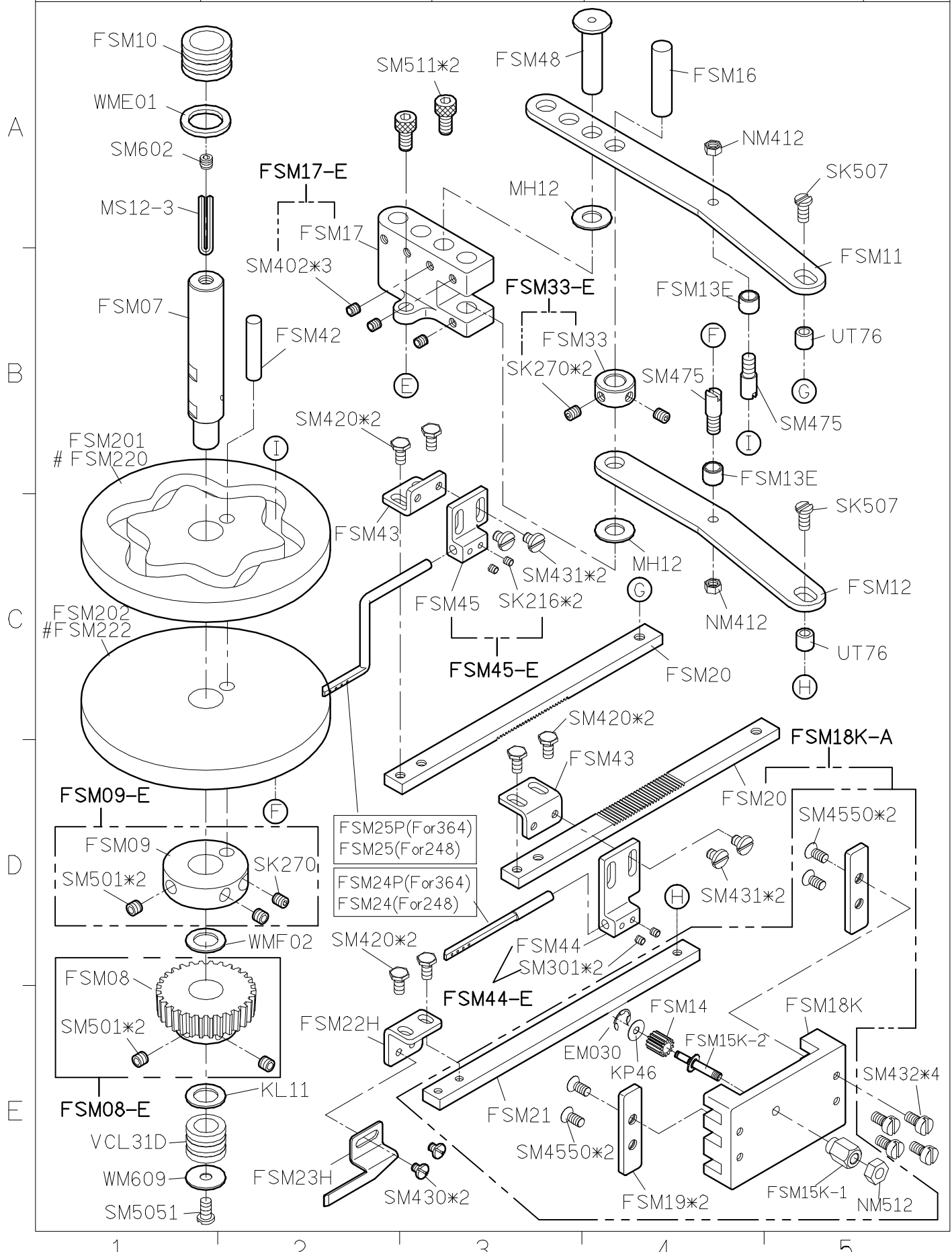


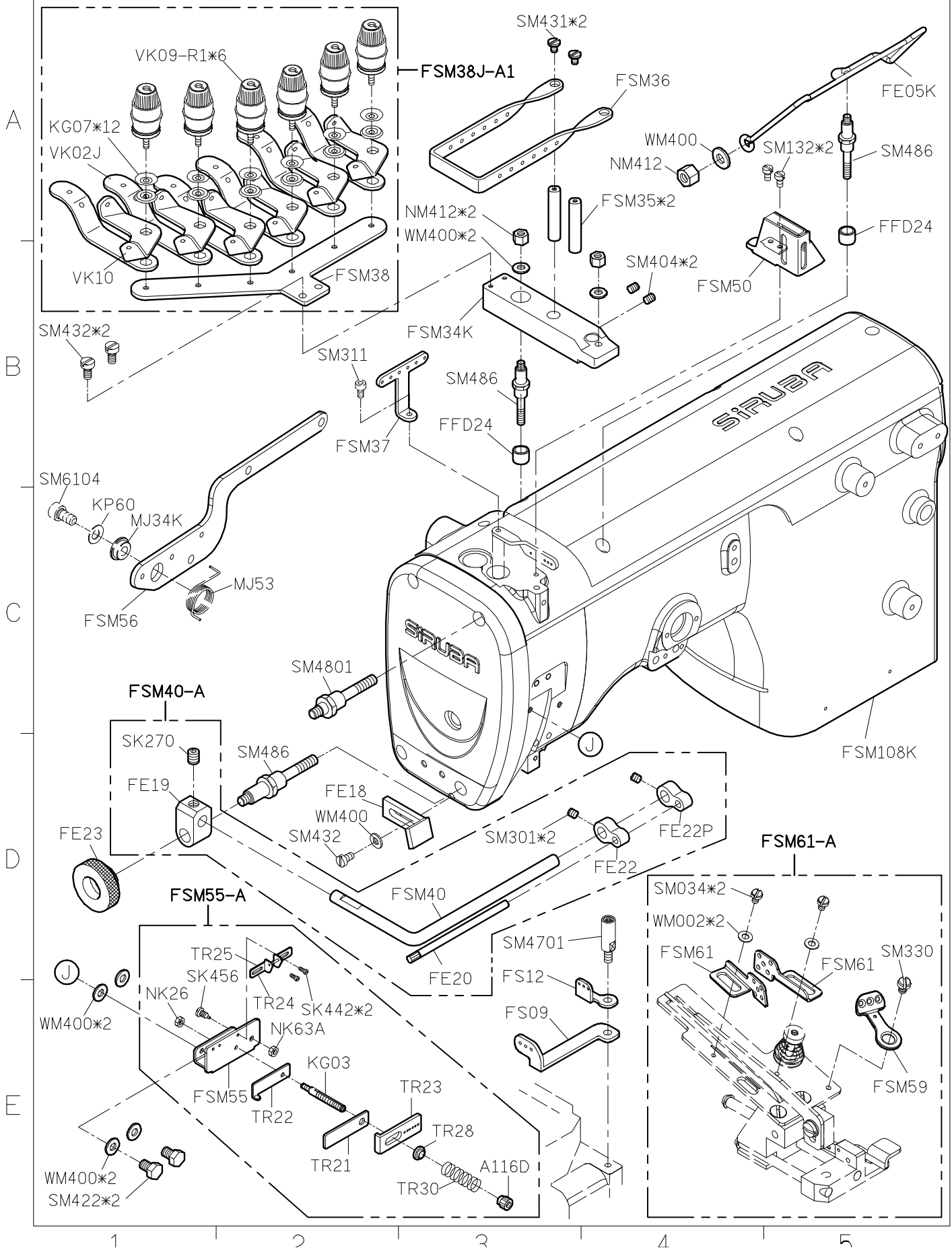
1                      2                      3                      4                      5

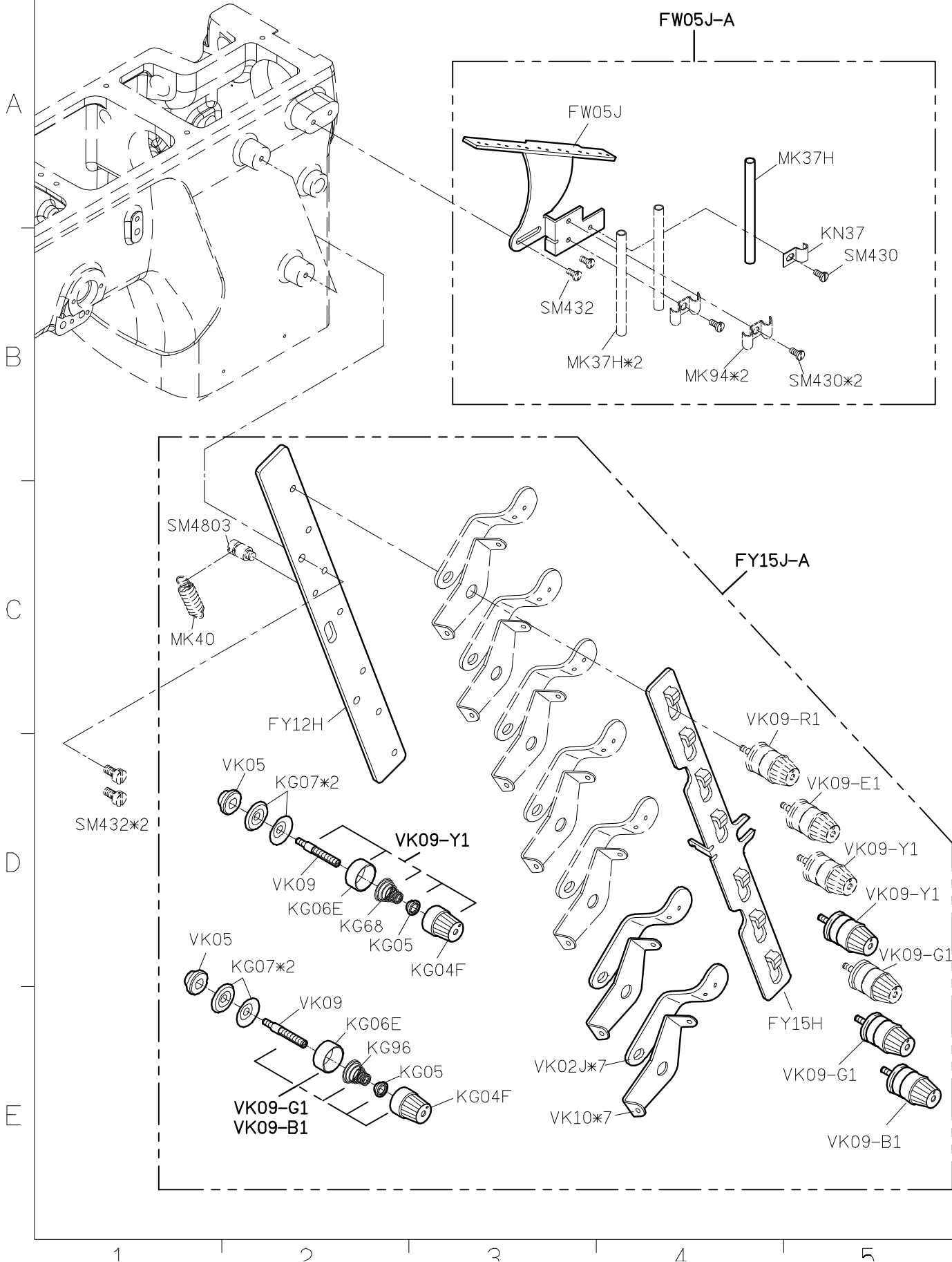
FR66-A



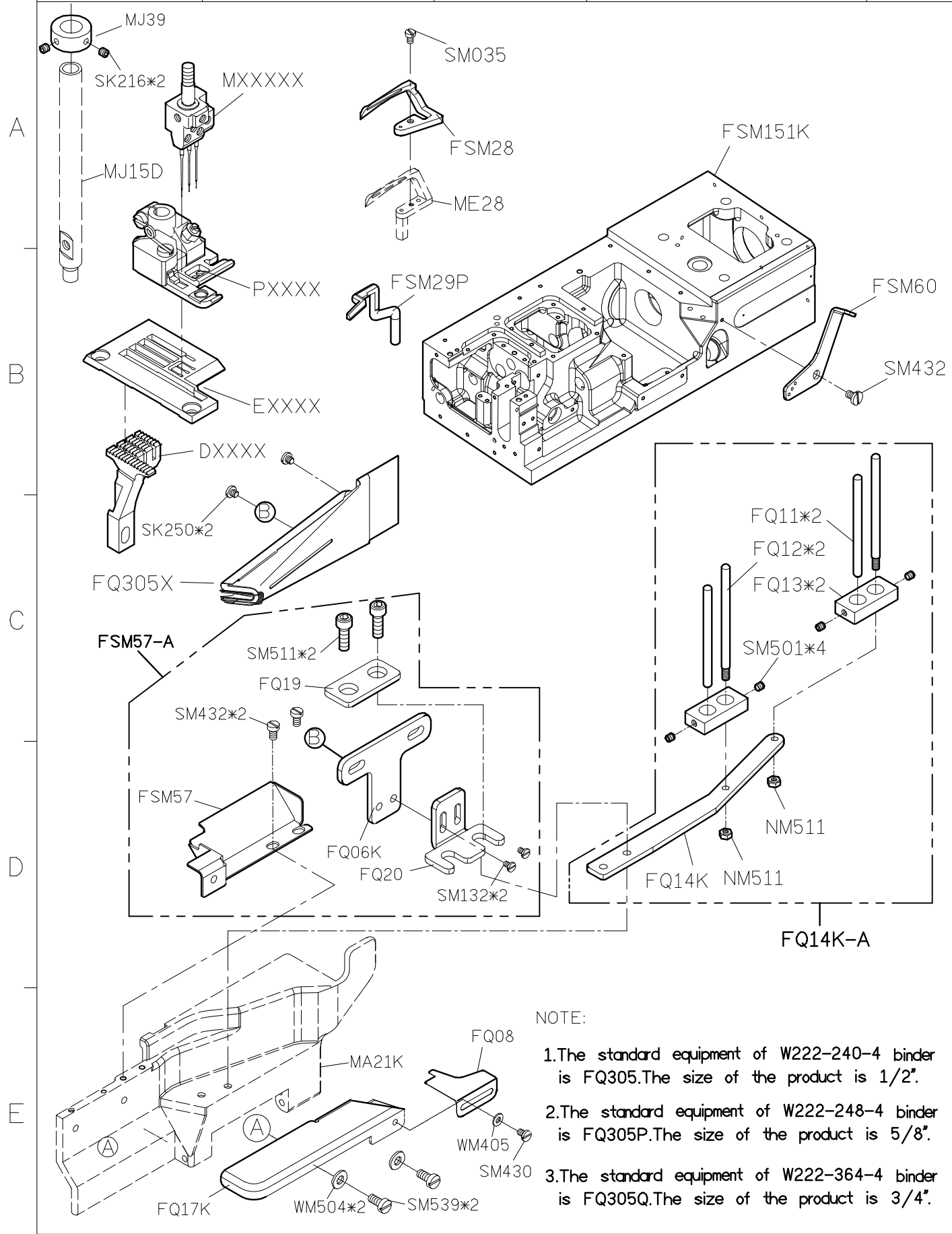








<b>SIRUBA</b> <b>PARTS LIST</b>	<b>F007K/F007KD</b> <b>F858K/F858KD</b>	Parts Group	Subclass / Remark	Page
		<b>FSM-K</b>	<b>For F007K/F858K</b>	5/6
				Date



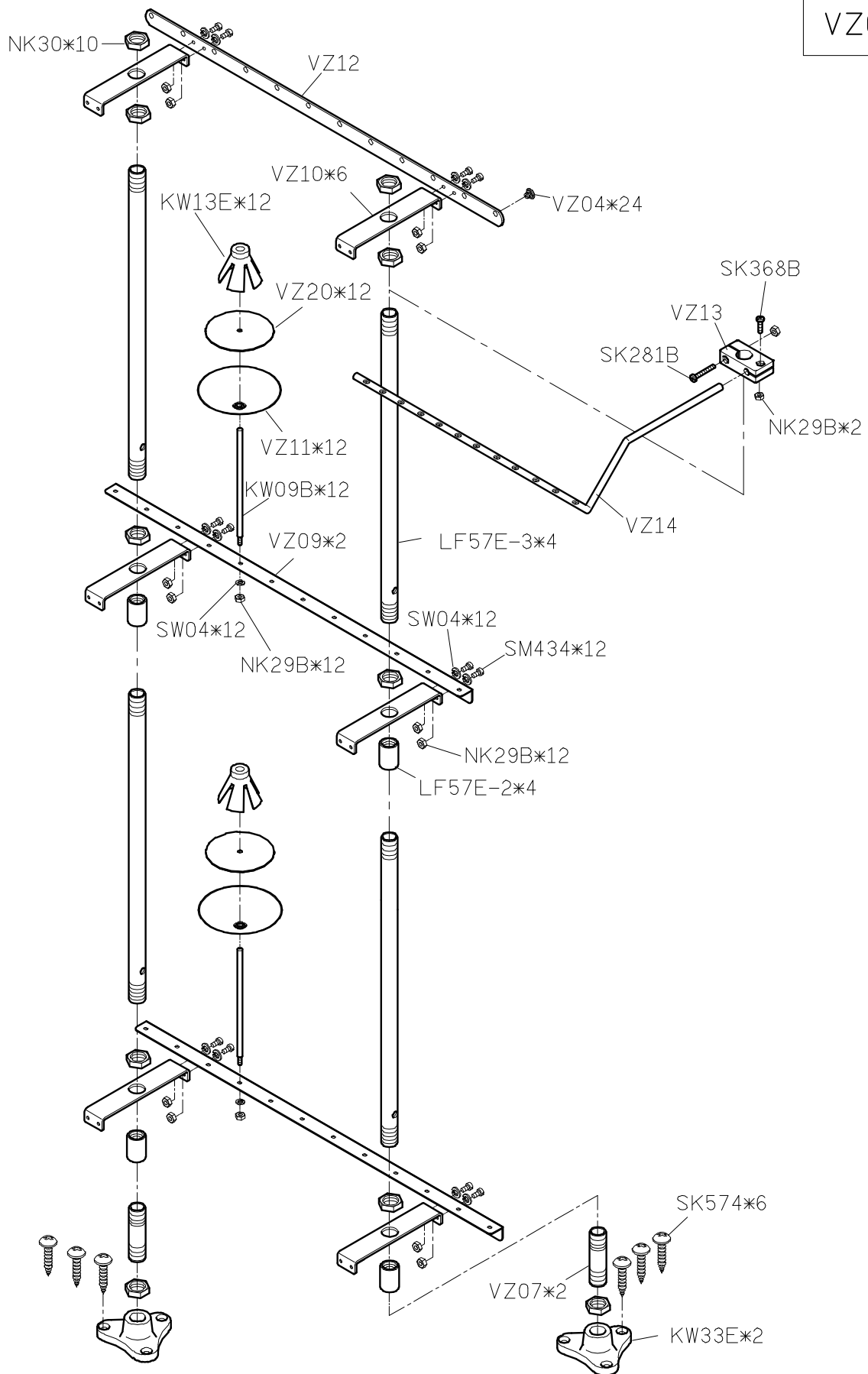
NOTE:

- 1.The standard equipment of W222-240-4 binder is FQ305.The size of the product is 1/2".
- 2.The standard equipment of W222-248-4 binder is FQ305P.The size of the product is 5/8".
- 3.The standard equipment of W222-364-4 binder is FQ305Q.The size of the product is 3/4".

<b>SIRUBA</b> <b>PARTS LIST</b>	<b>F007K/F007KD</b> <b>F858K/F858KD</b>	<b>Parts Group</b> <b>FSM-K</b>	<b>Subclass / Remark</b> For F007K/F858K	<b>Page</b> 6/6
				<b>Date</b>

VZ07-A

A  
B  
C  
D  
E



1 2 3 4 5



**SIRUBA**

PARTS LIST

Series  
**F007K/F007KD**  
**F858K/F858KD**

Parts Group  
**FSP-K**

Subclass / Remark

Page

1/1

Date

2012/10/31

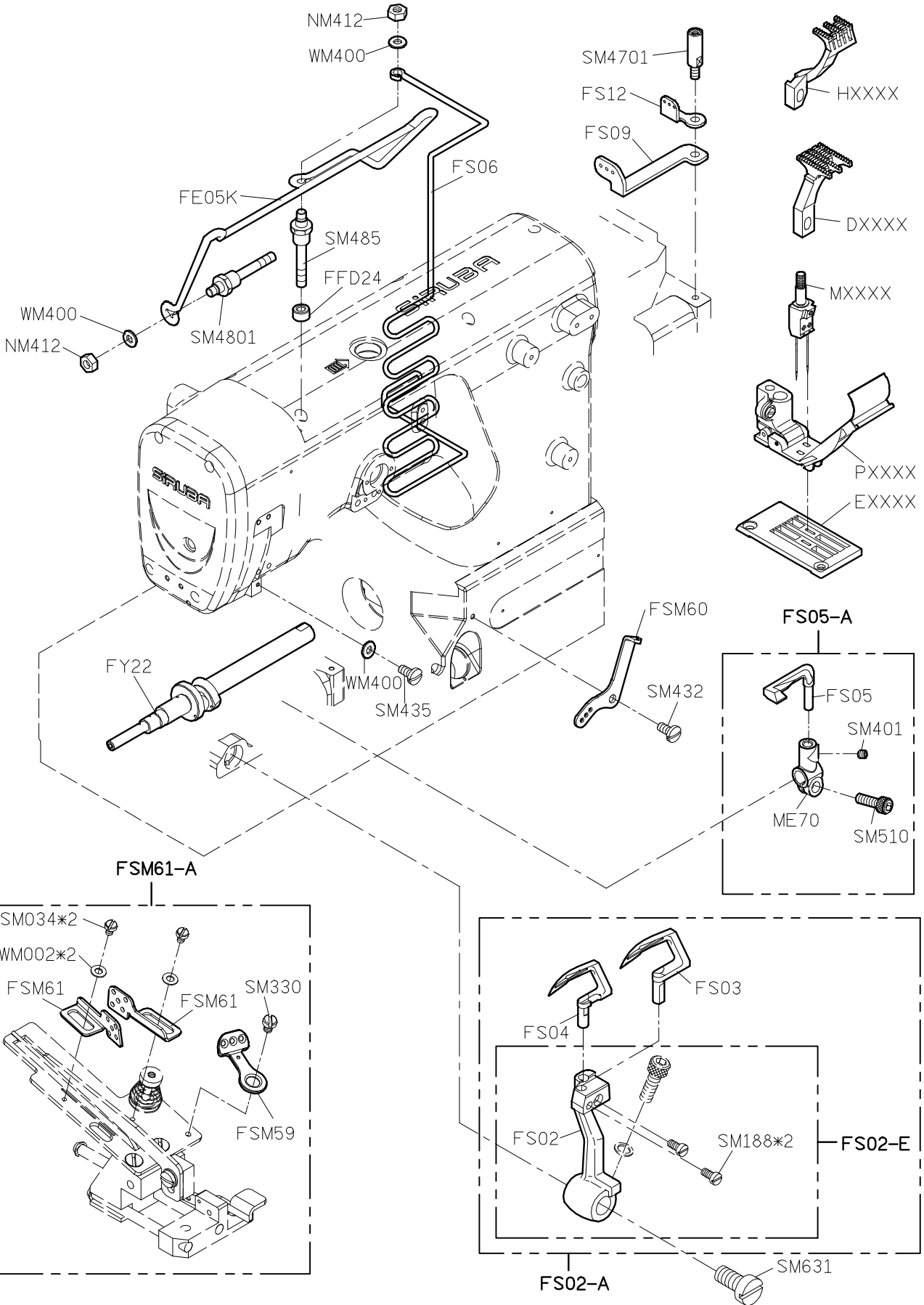
A

B

C

D

E



1

2

3

4

5

**SIRUBA**

PARTS LIST

Series

F007K/F007KD  
F858K/F858KD

Parts Group

**FSR-K**

Subclass / Remark

Page

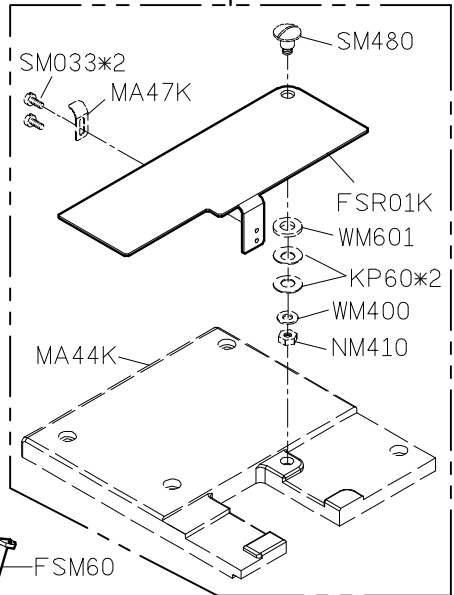
1/1

Date

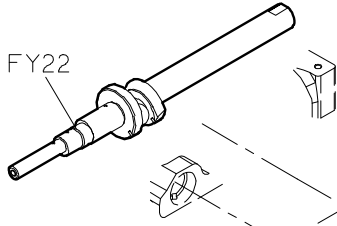
2012/10/31

A  
B  
C  
D  
E

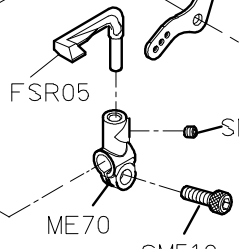
FSR01K-A



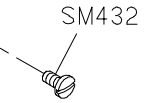
FY22



FSR05



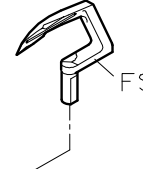
FSM60



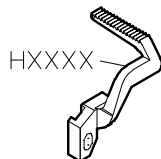
FS04



FS03

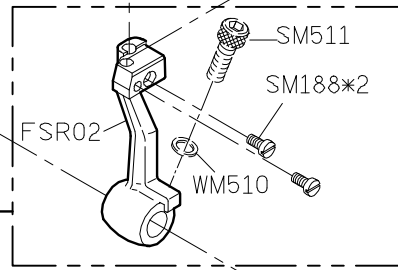


DXXXX

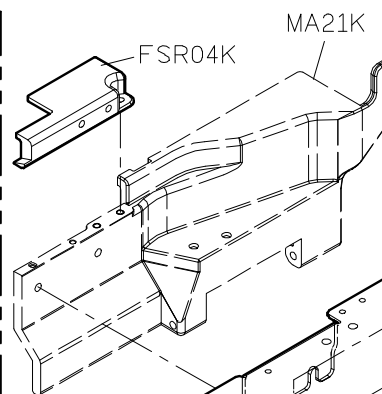
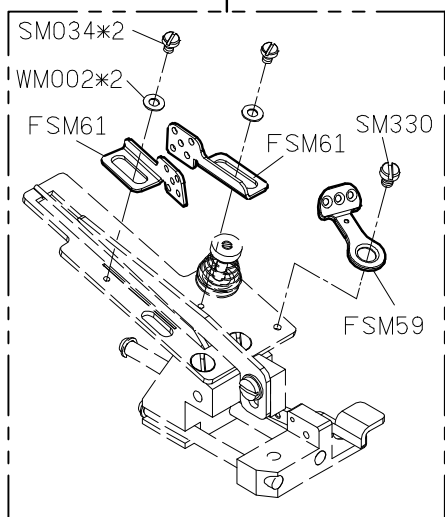


HXXXX

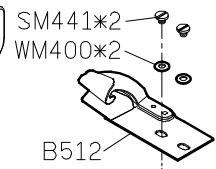
FSR02-E



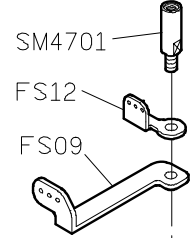
FSM61-A



MA21K



B512

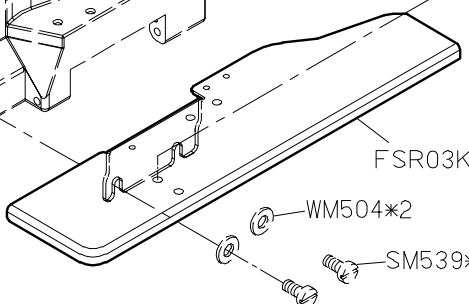


SM4701

FS12

FS09

FSR03K



WM504\*2

SM539\*2

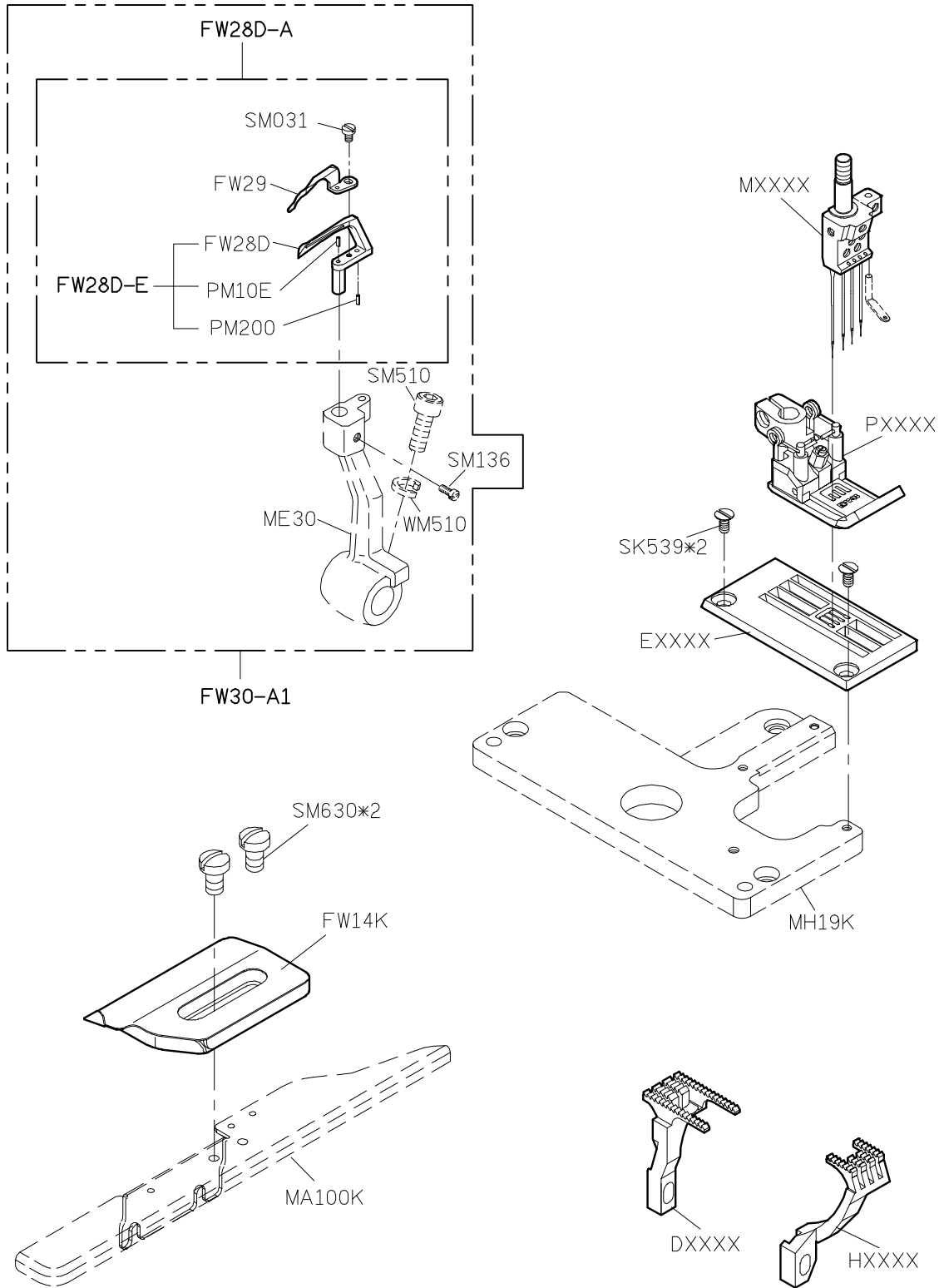
1

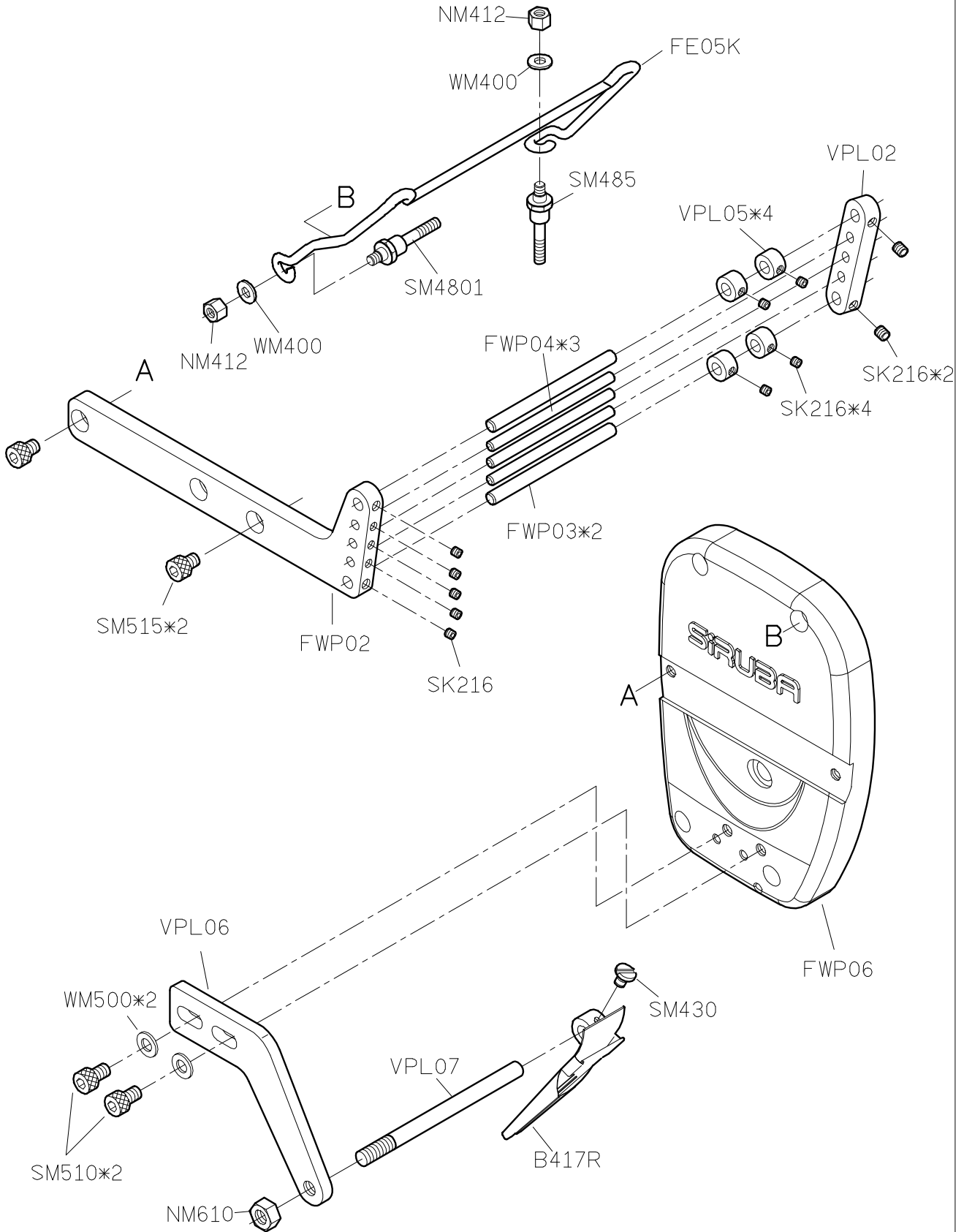
2

3

4

5





**SIRUBA**

**PARTS LIST**

**F007K/F007KD  
F858K/F858KD**

**Parts Group  
FW(FWP)-K**

**Subclass / Remark**

**Page**

**3/5**

**Date**

**2012/10/31**

A

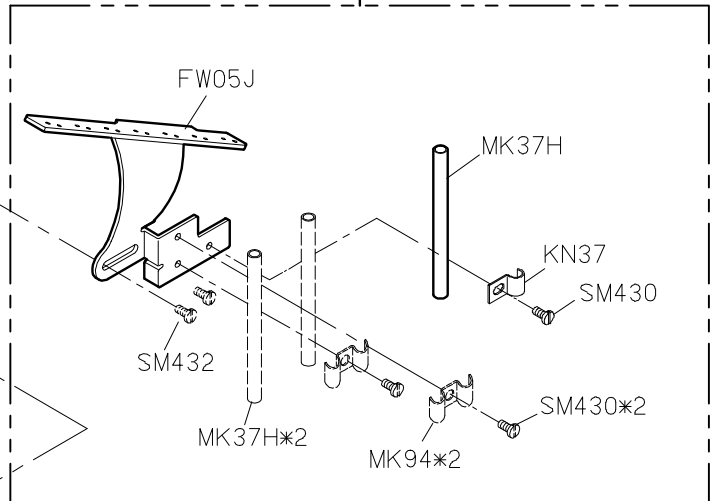
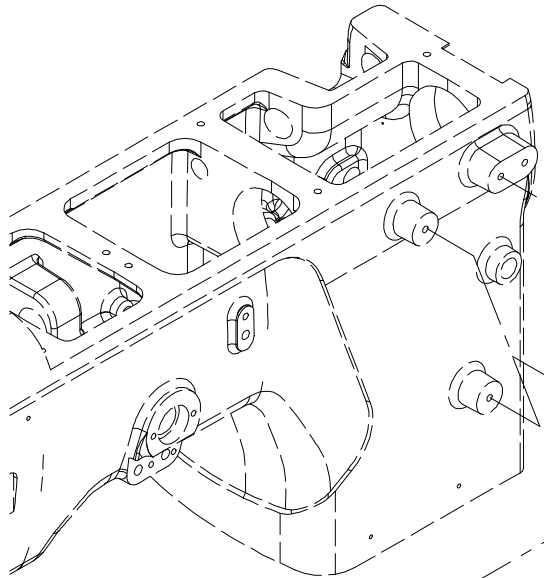
B

C

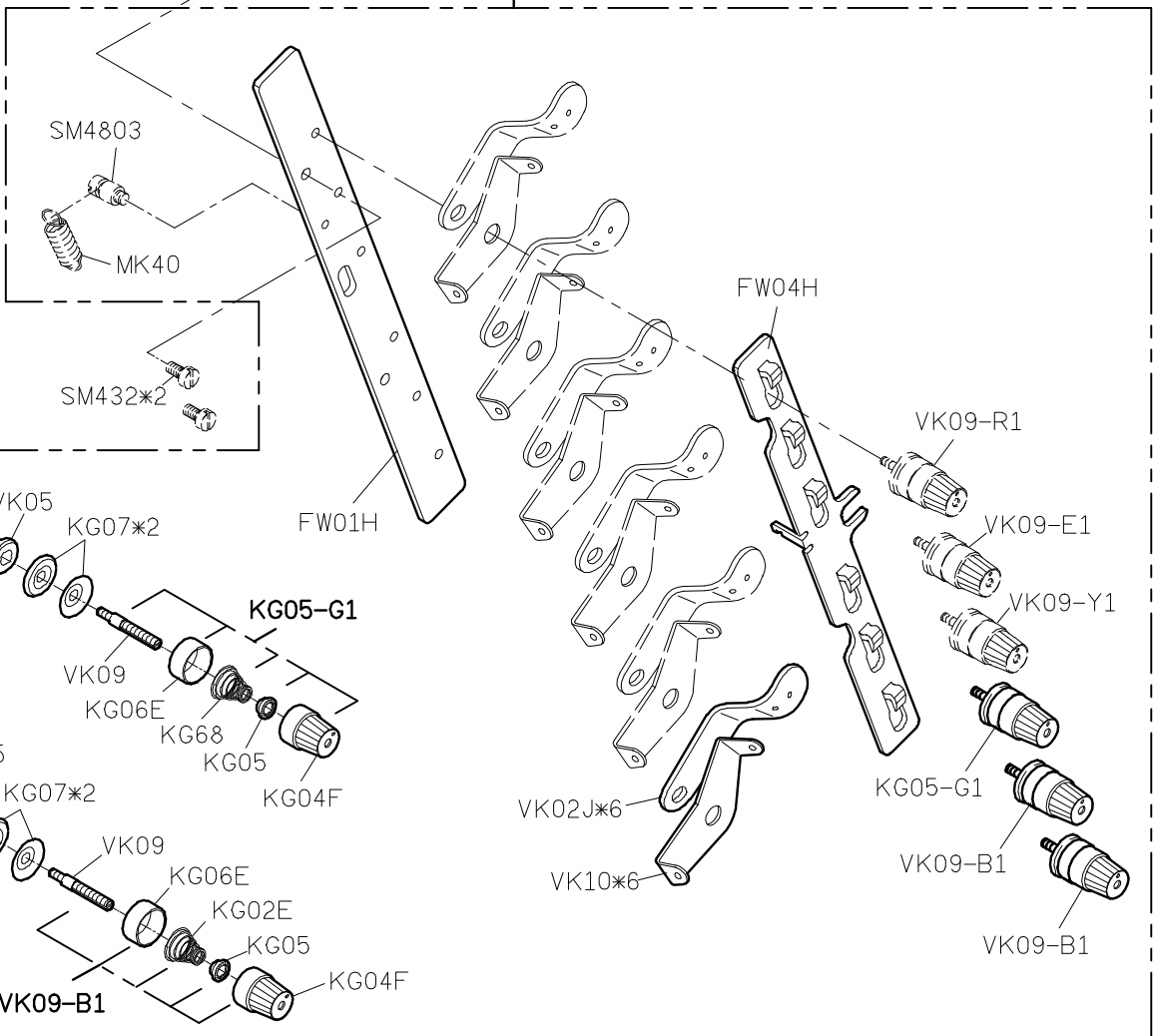
D

E

FW05J-A



FW01J-A



1

2

3

4

5

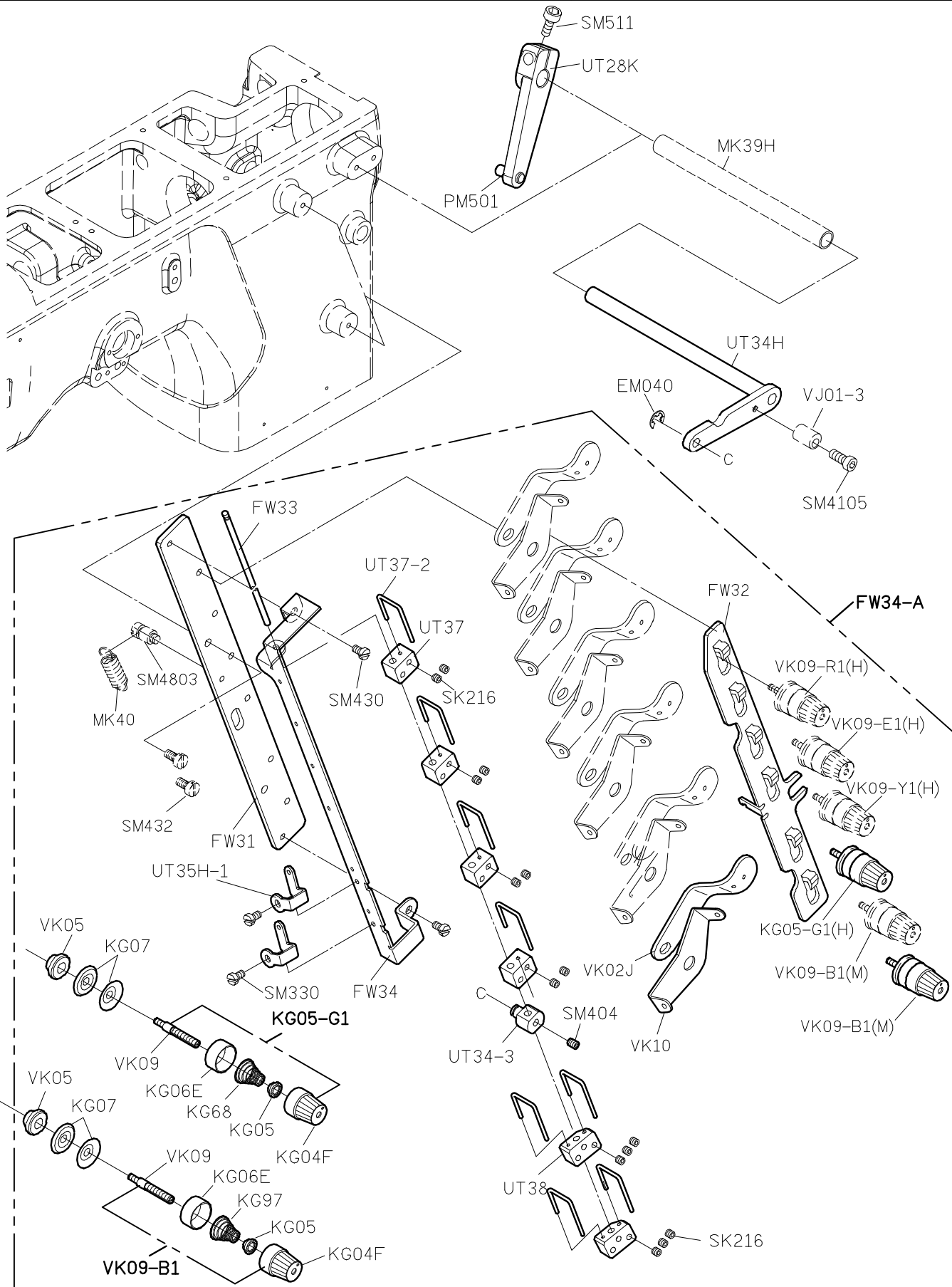
A

B

C

D

E



1

2

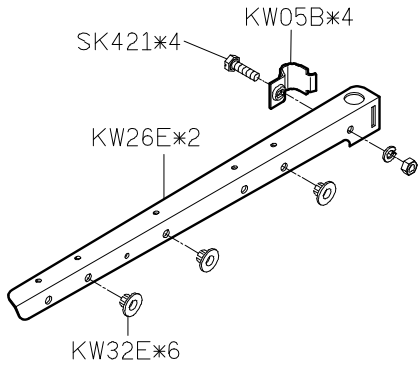
3

4

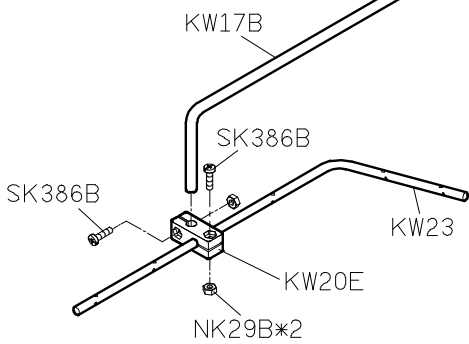
5

**KW40E-A3**

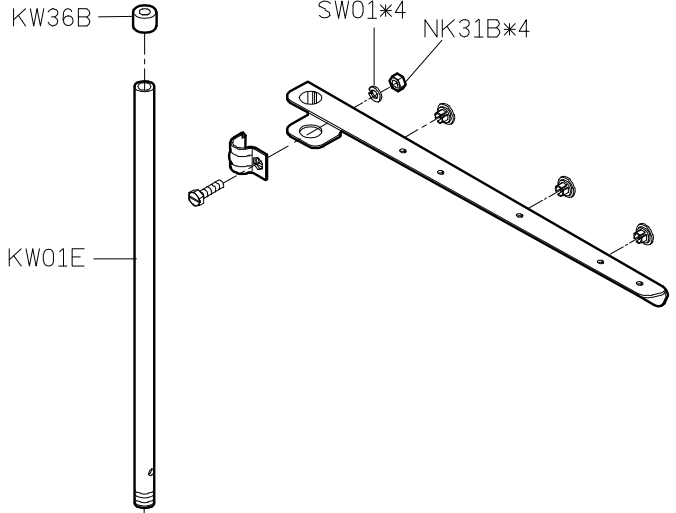
A



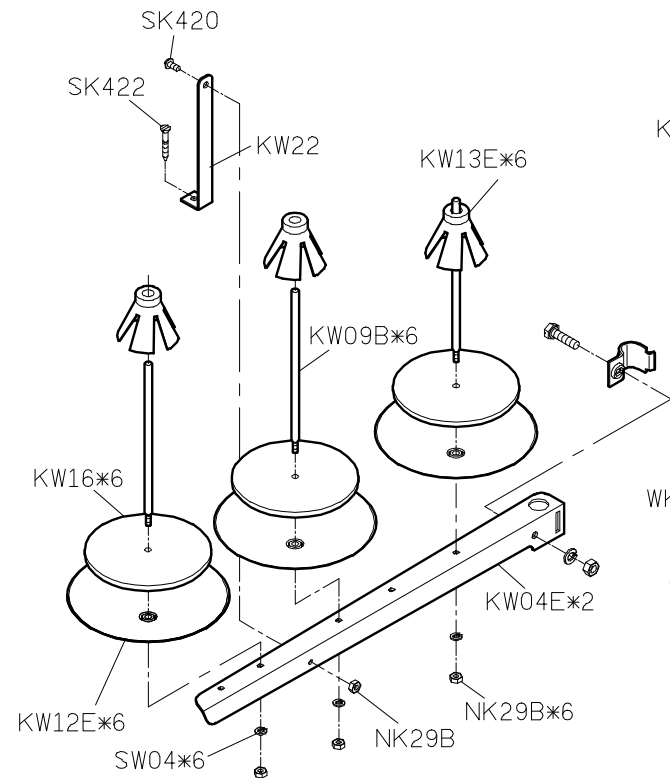
B



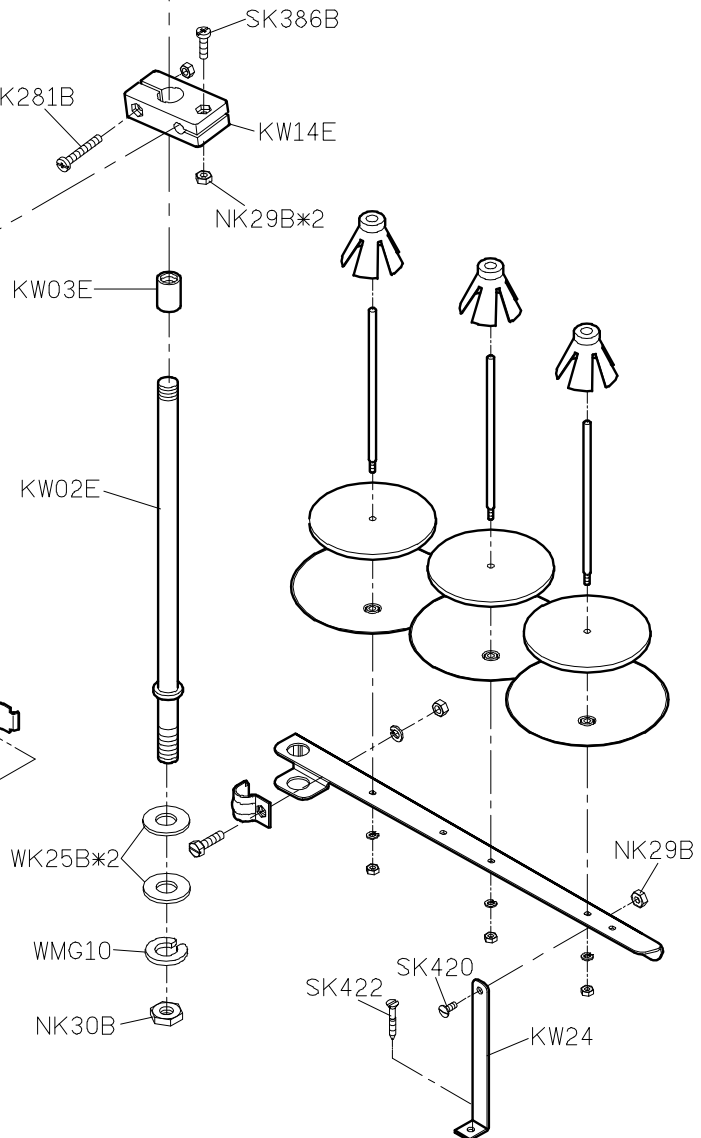
C



D



E



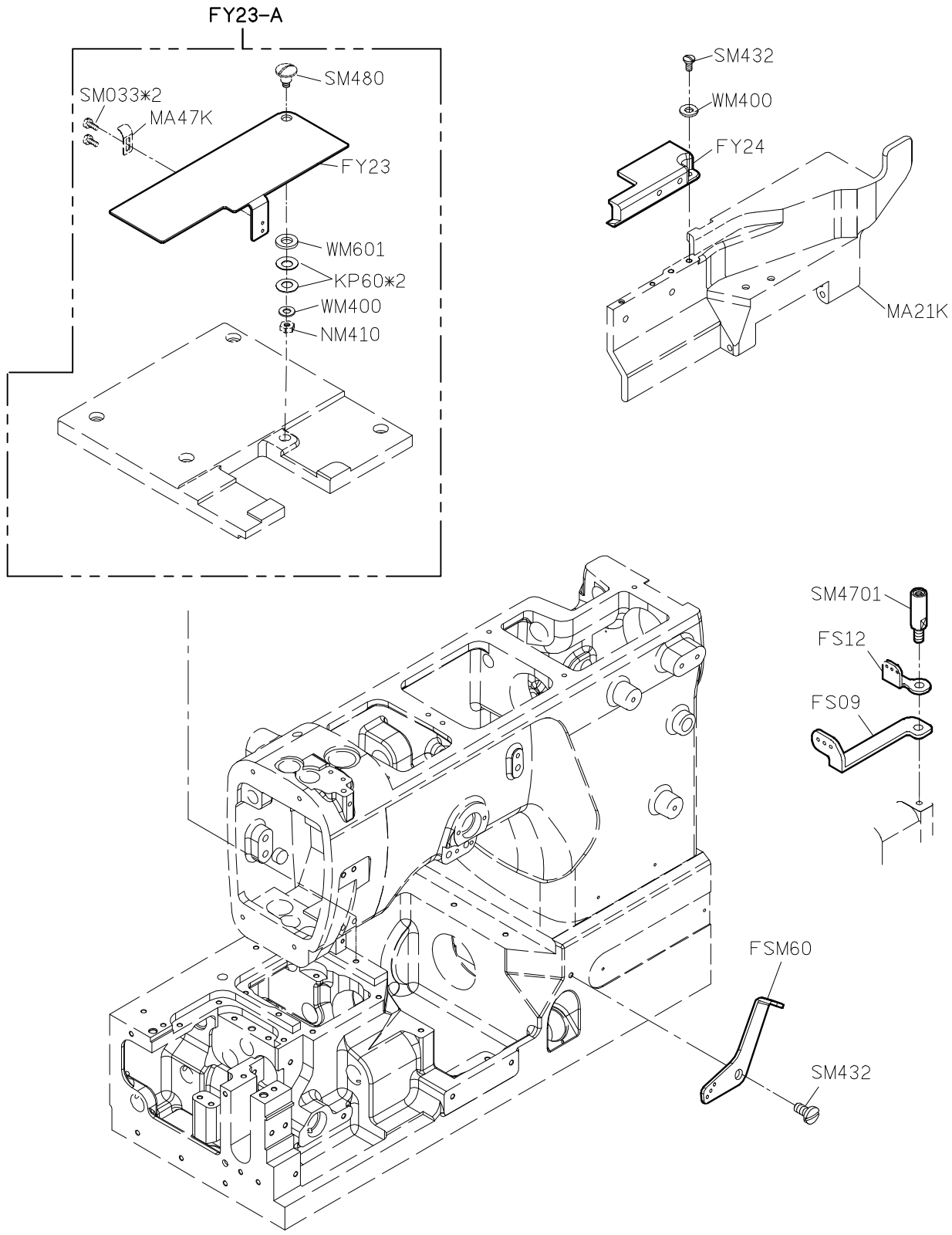
A

B

C

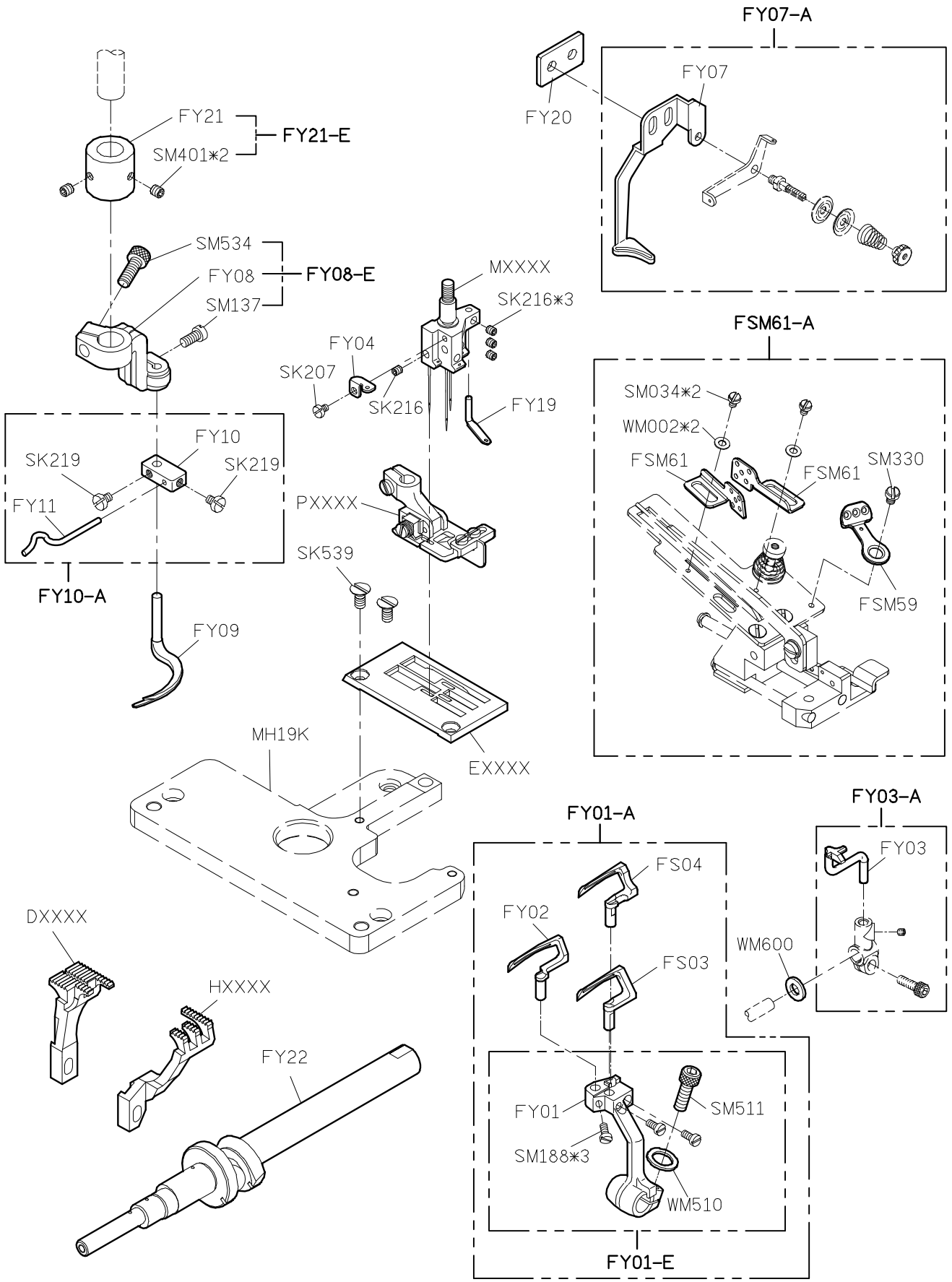
D

E

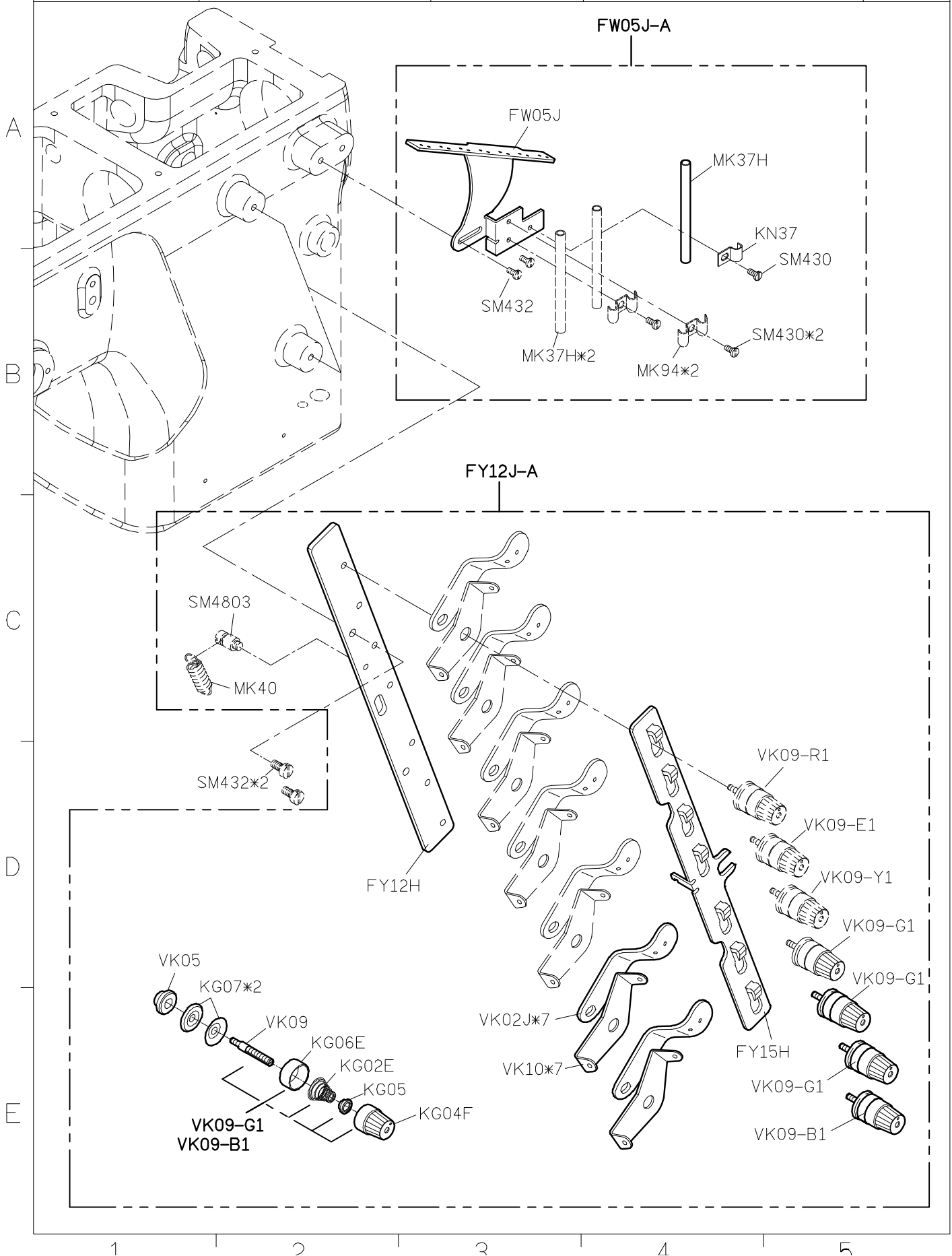




A  
B  
C  
D  
E



1                      2                      3                      4                      5



VZ03-A

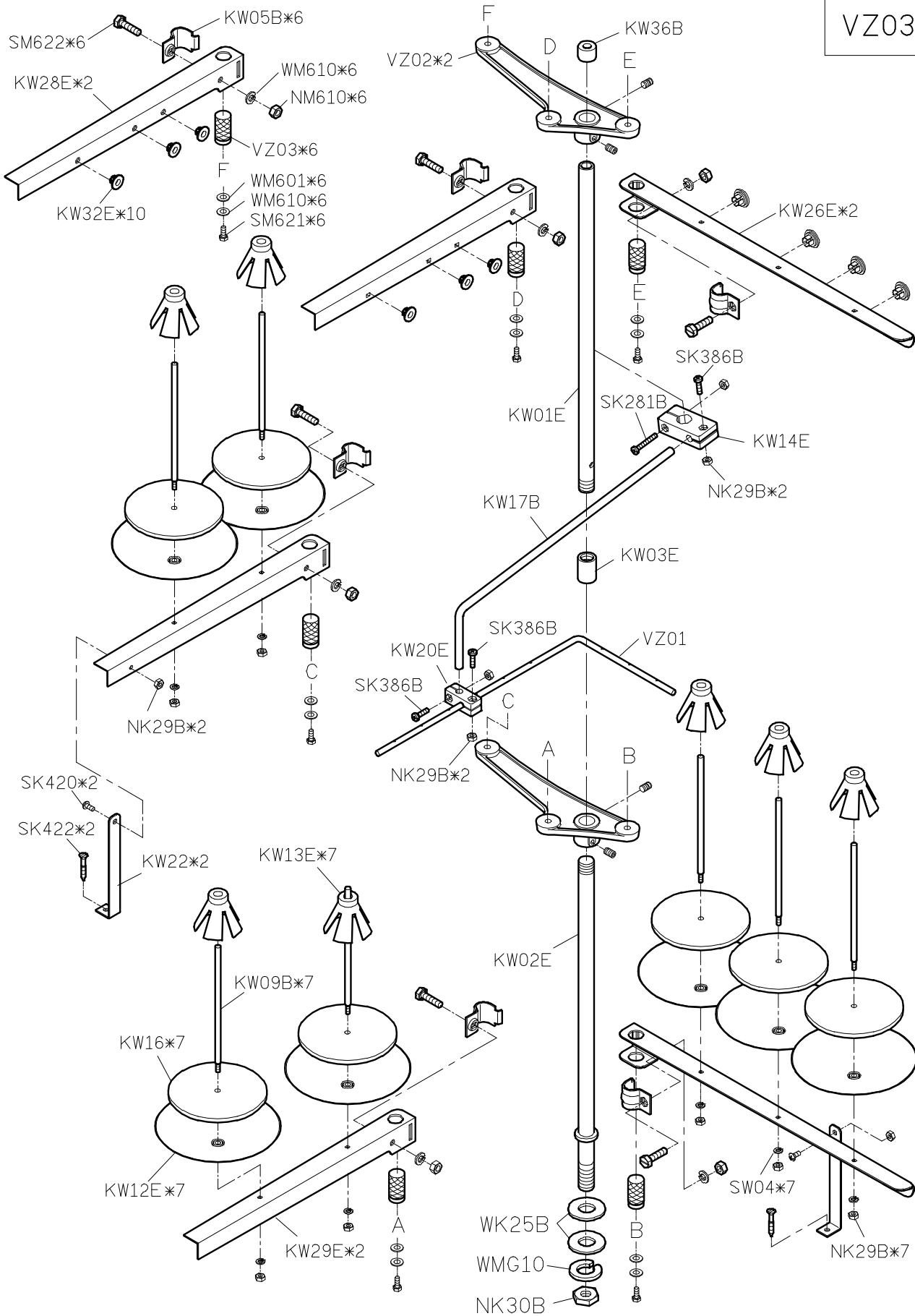
A

B

C

D

E



1

2

3

4

5

**SIRUBA**  
PARTS LIST

Series  
**F007K/F007KD**  
**F858K/F858KD**

Parts Group  
**MA-K**

Subclass / Remark  
# :Use for F007KD/F858KD  
△ :Use for FW/FWP/FSM

Page  
1/2  
Date  
2012/10/31

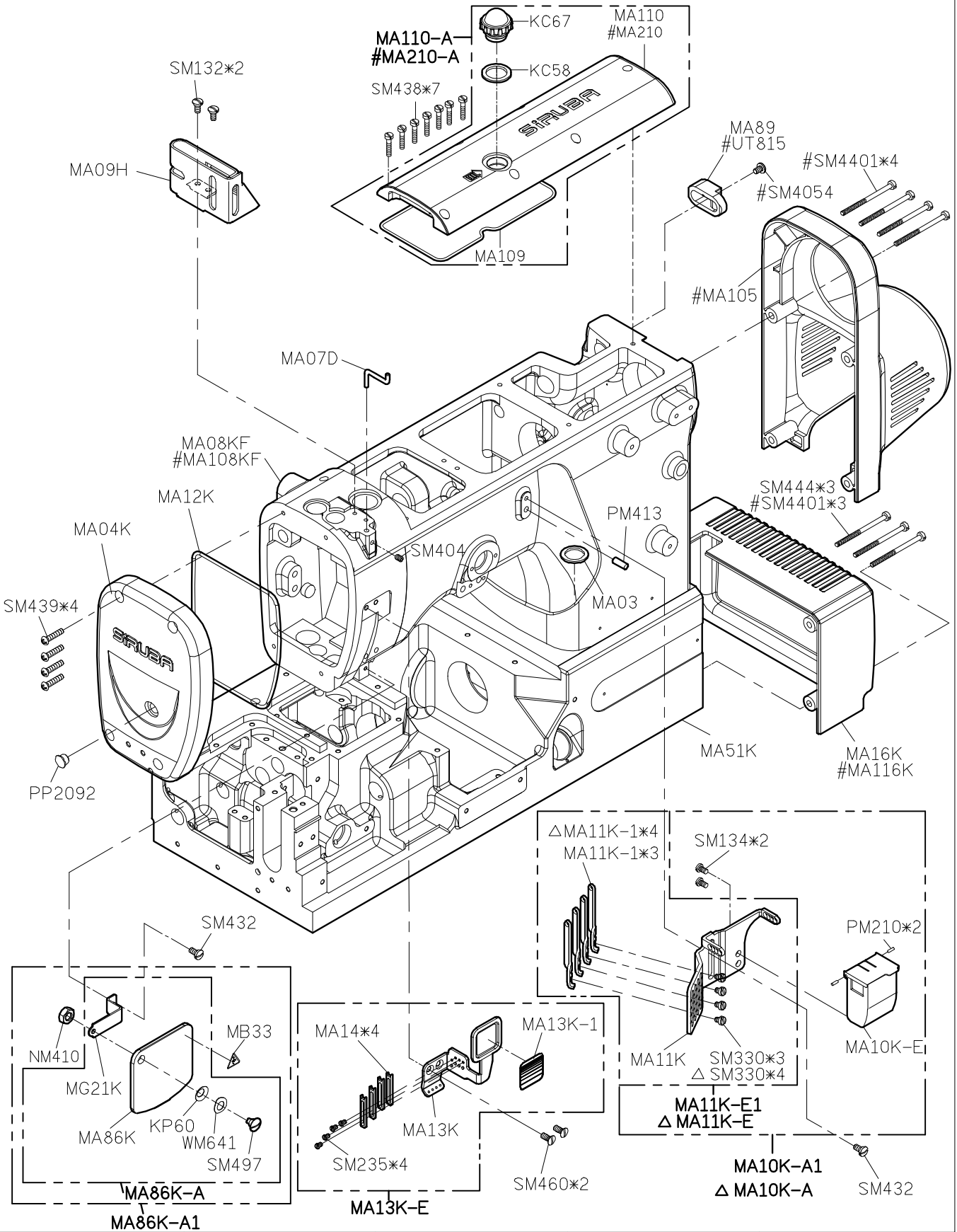
A

B

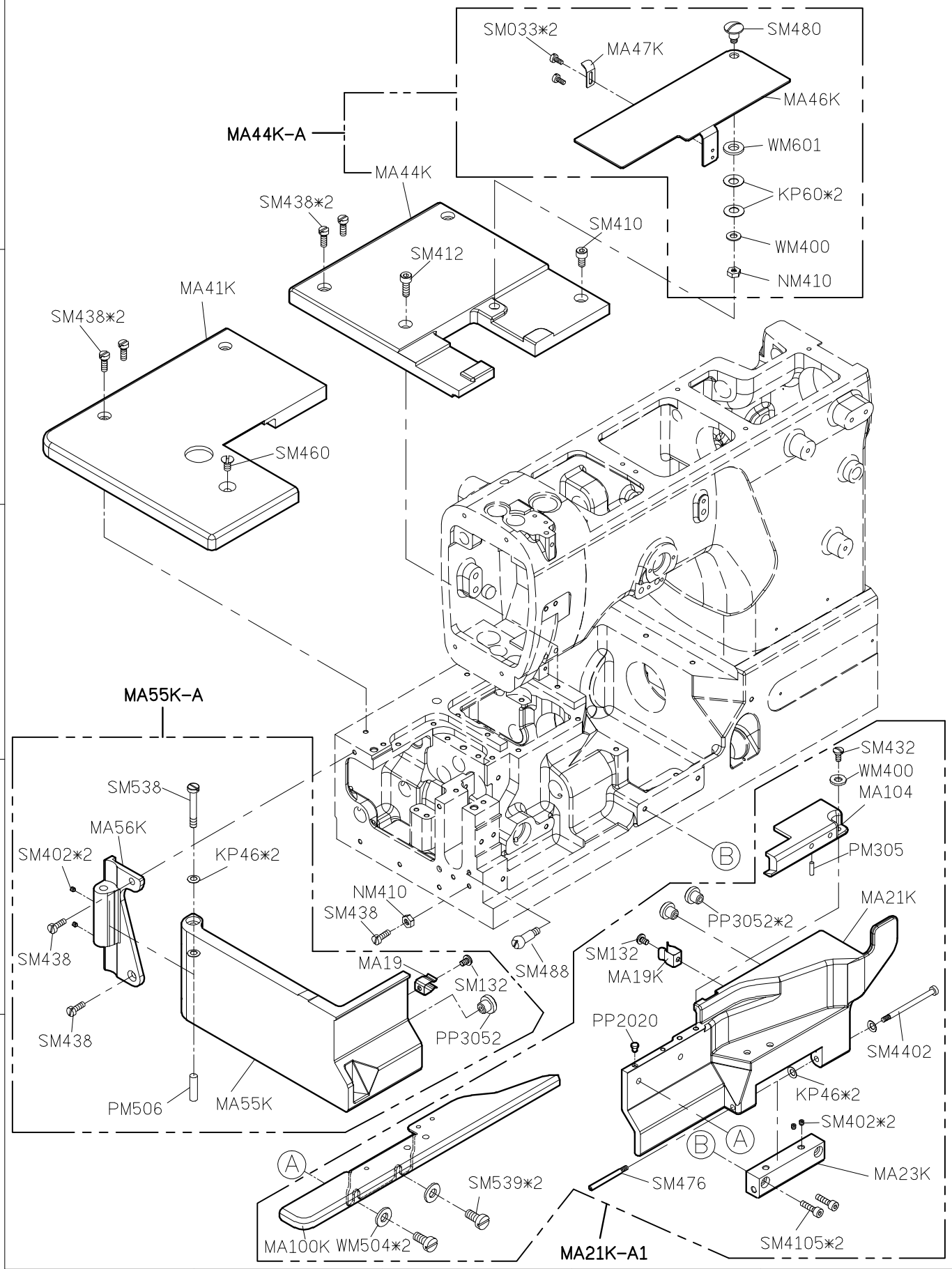
C

D

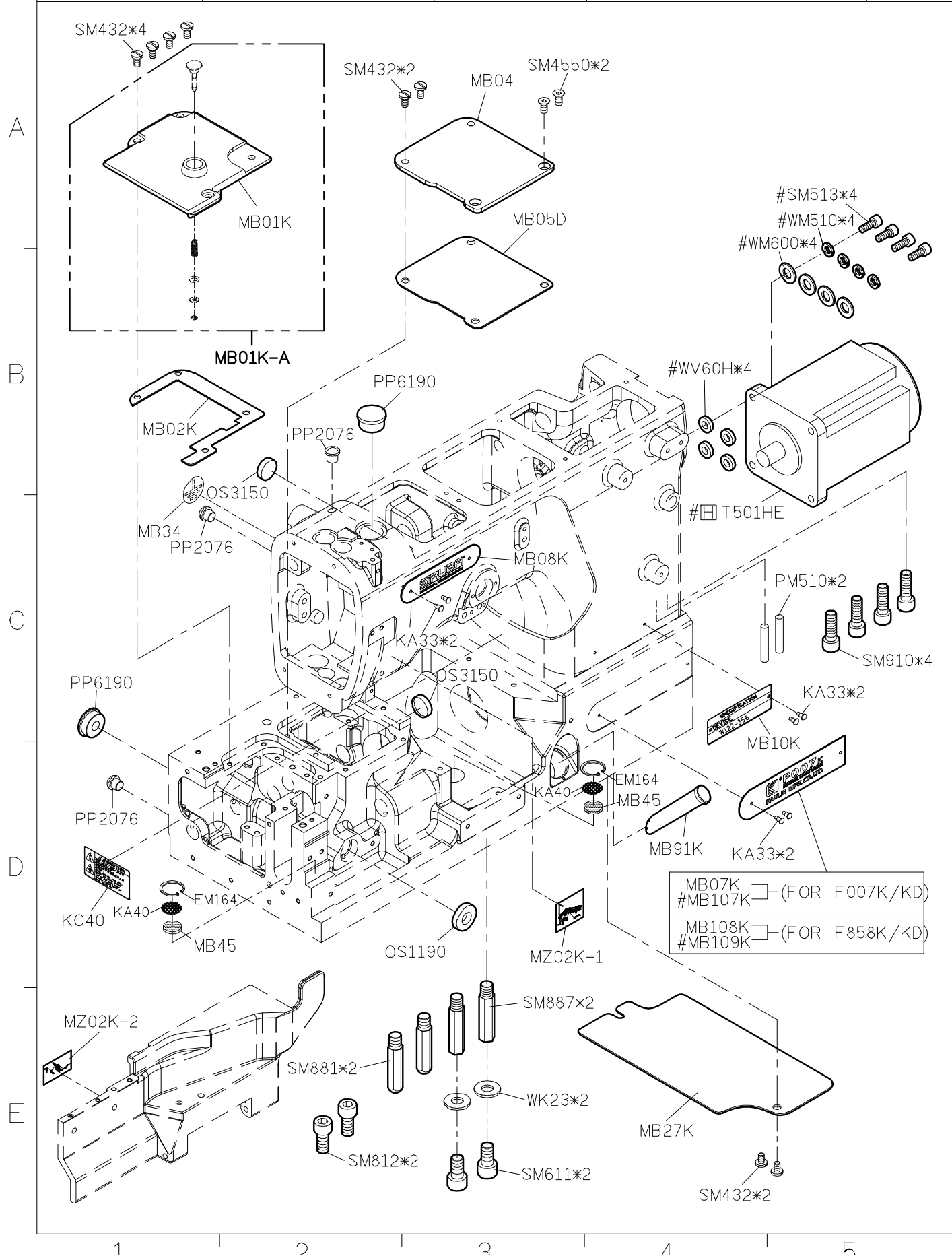
E



A  
B  
C  
D  
E



1 2 2 4 5



**SIRUBA**

PARTS LIST

Series  
**F007K/F007KD**  
**F858K/F858KD**

Parts Group  
**MC-K**

Subclass / Remark

Page

1/2

Date

2012/10/31

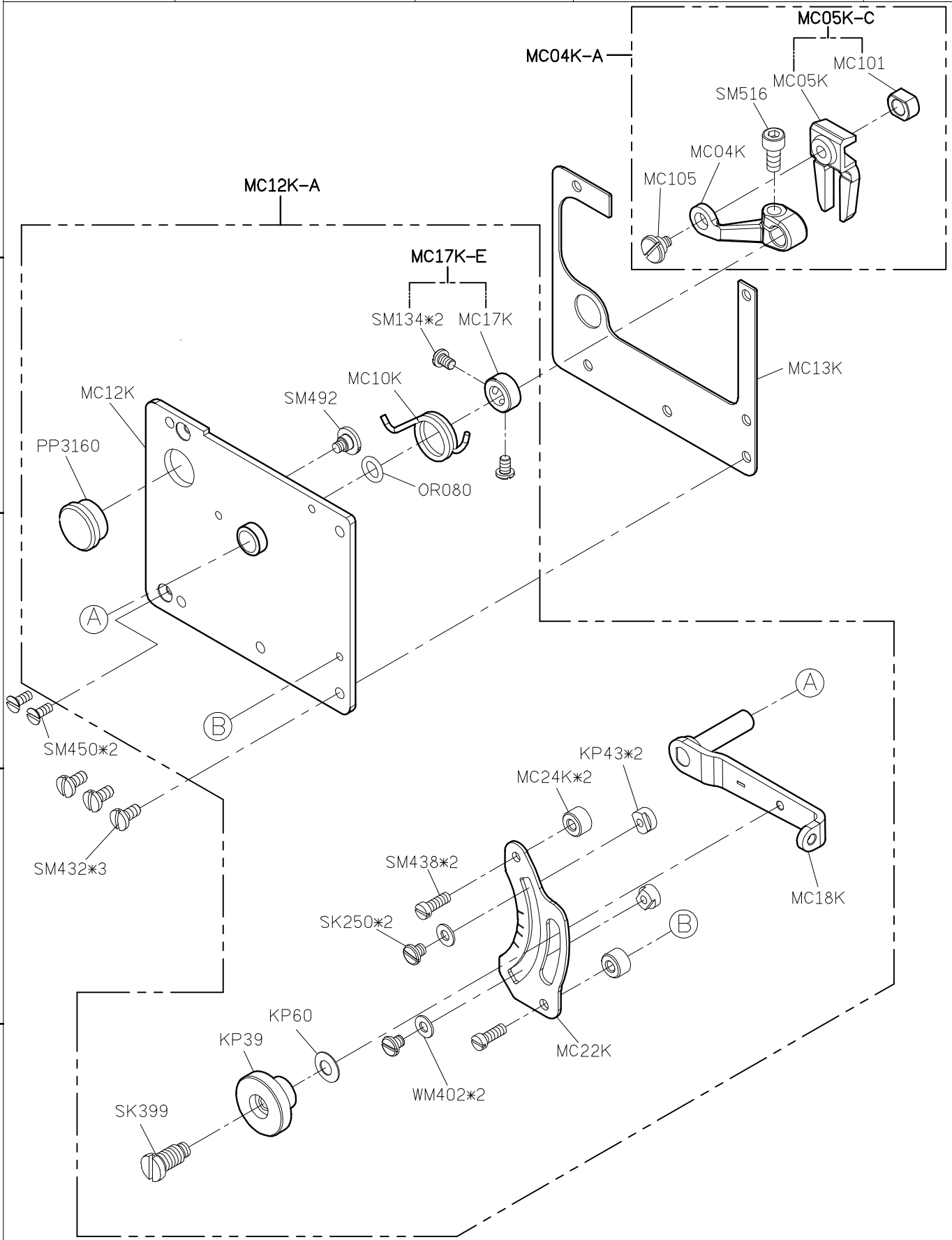
A

B

C

D

E



1

2

3

4

5

**SIRUBA**

**PARTS LIST**

**Series**  
**F007K/F007KD**  
**F858K/F858KD**

**Parts Group**  
**MC-K**

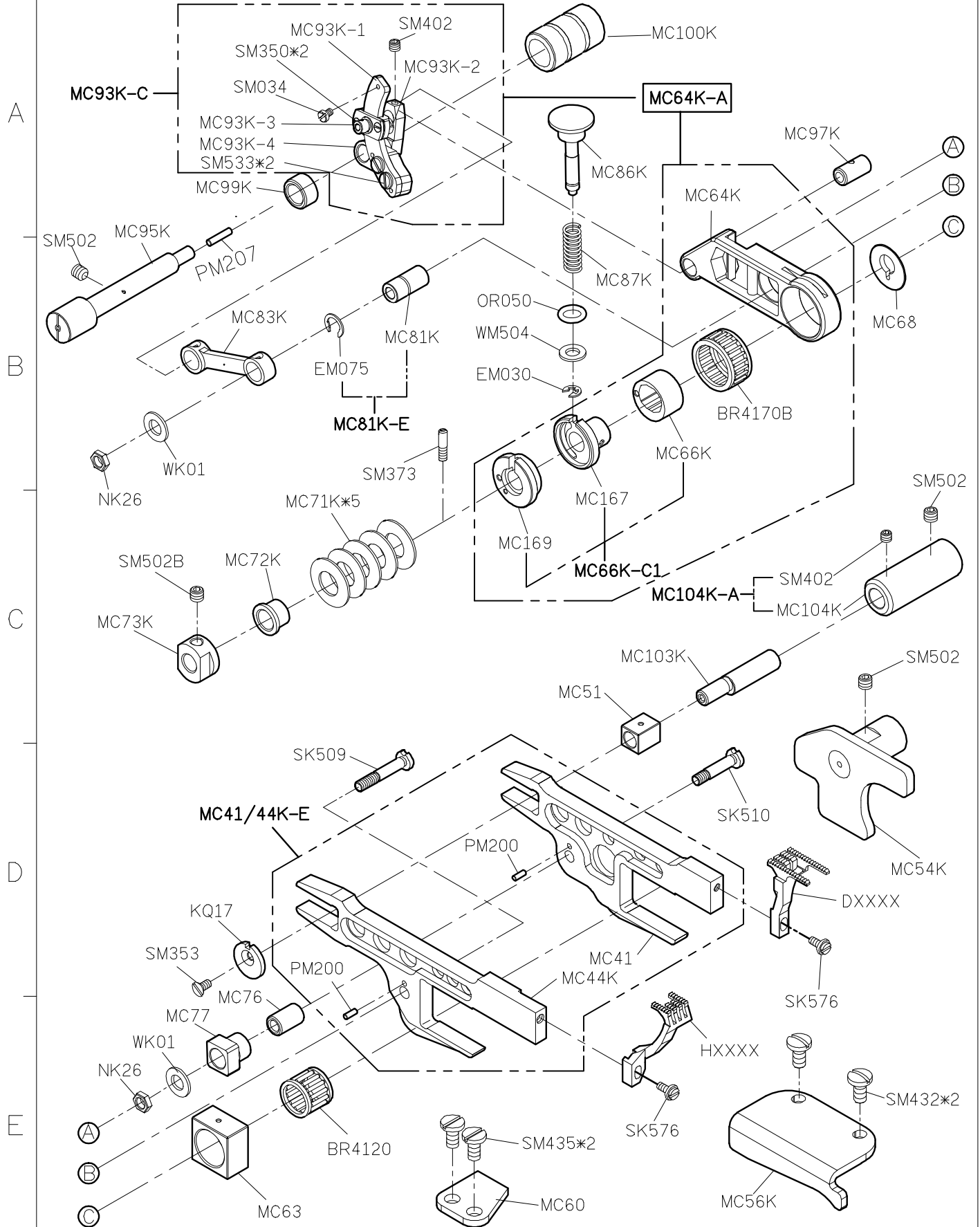
**Subclass / Remark**

**Page**

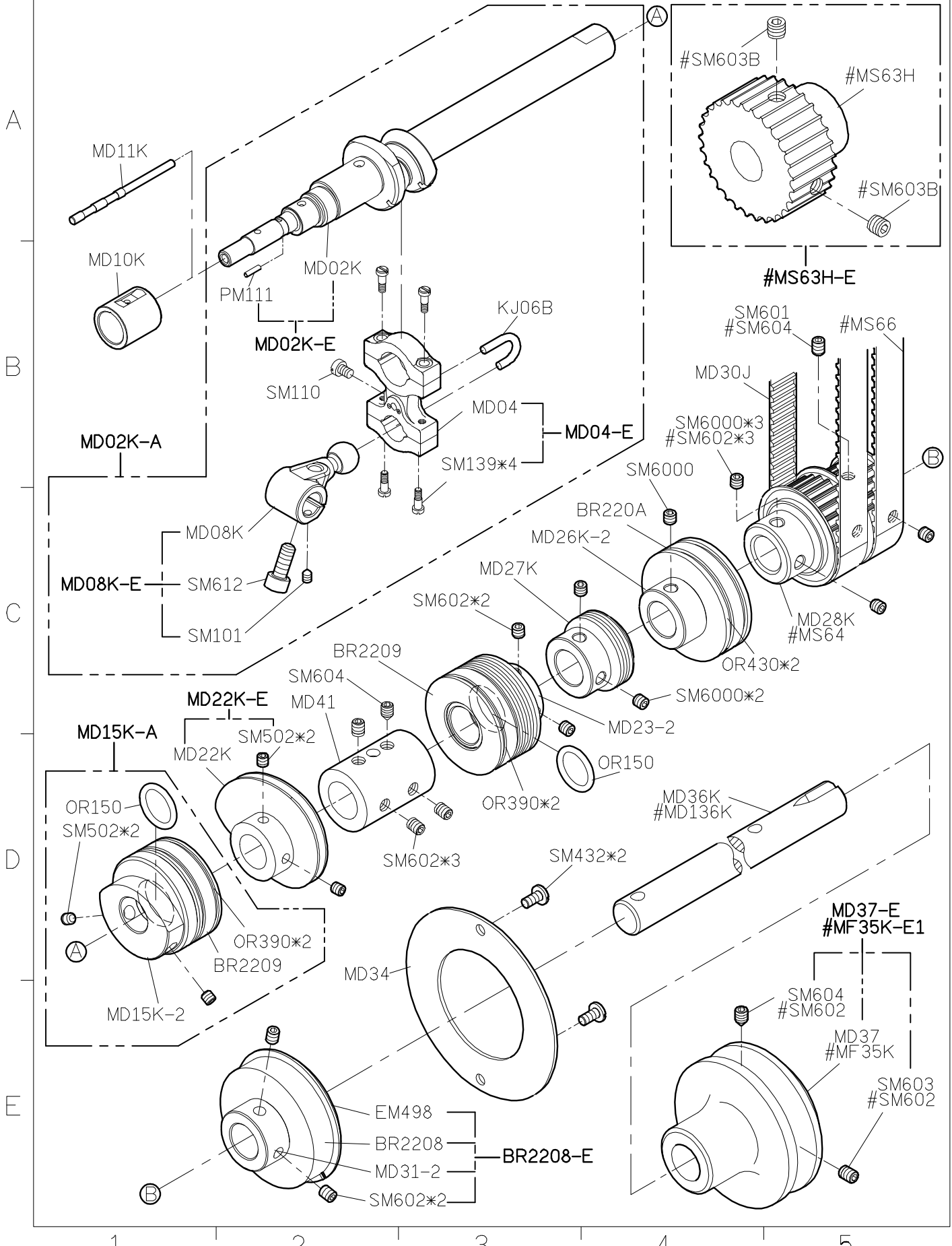
**2/2**

**Date**

**2012/10/31**







<b>SIRUBA</b> PARTS LIST	<b>Series</b>	<b>Parts Group</b>	<b>Subclass / Remark</b>	<b>Page</b>
	F007K/F007KD	<b>ME-K</b>		1/1
	F858K/F858KD			Date
				2012/10/31

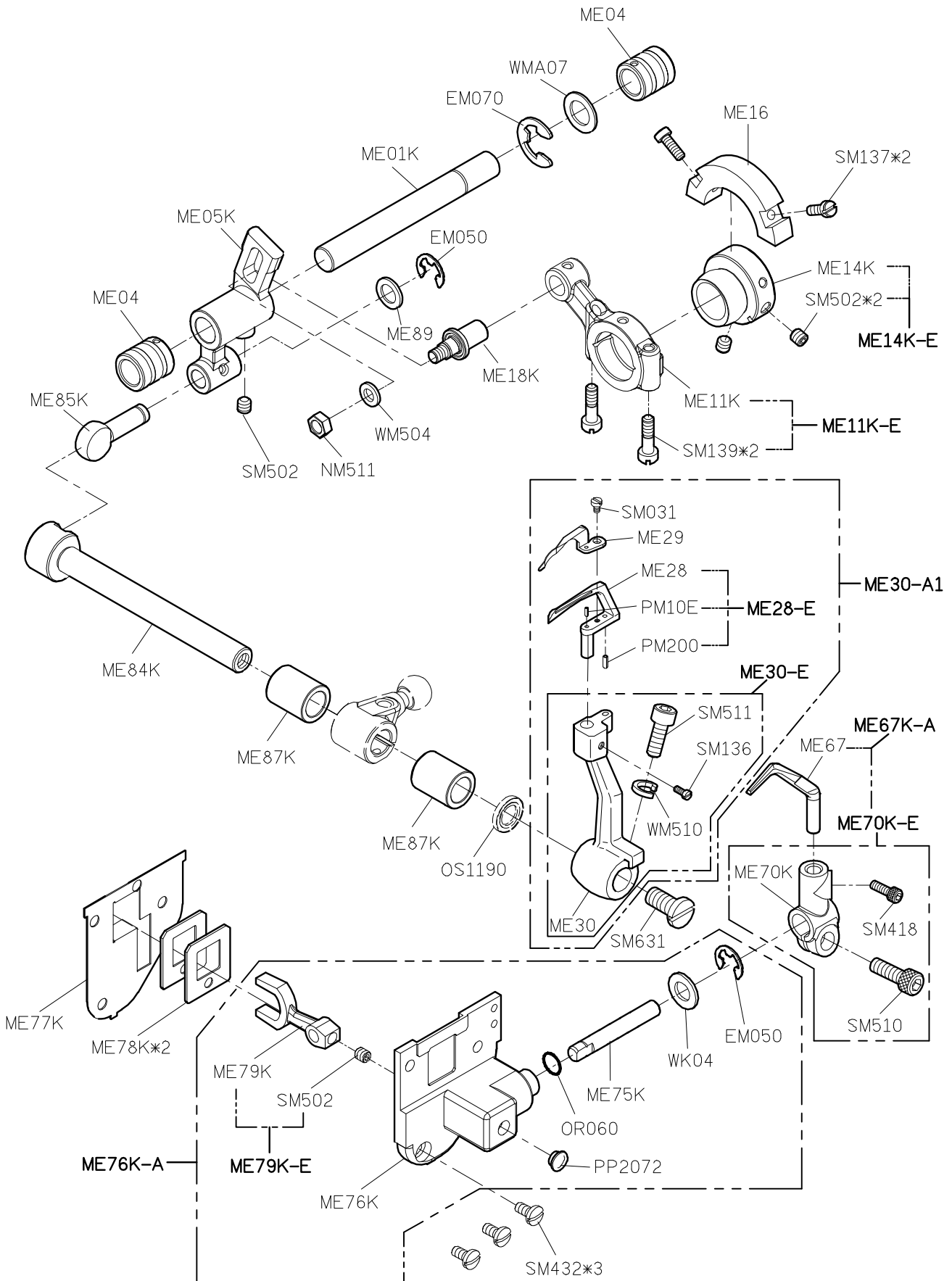
A

B

C

D

E



1

2

3

4

5

**SIRUBA**

PARTS LIST

Series

F007K/F007KD  
F858K/F858KD

Parts Group

**MF-K**

Subclass / Remark

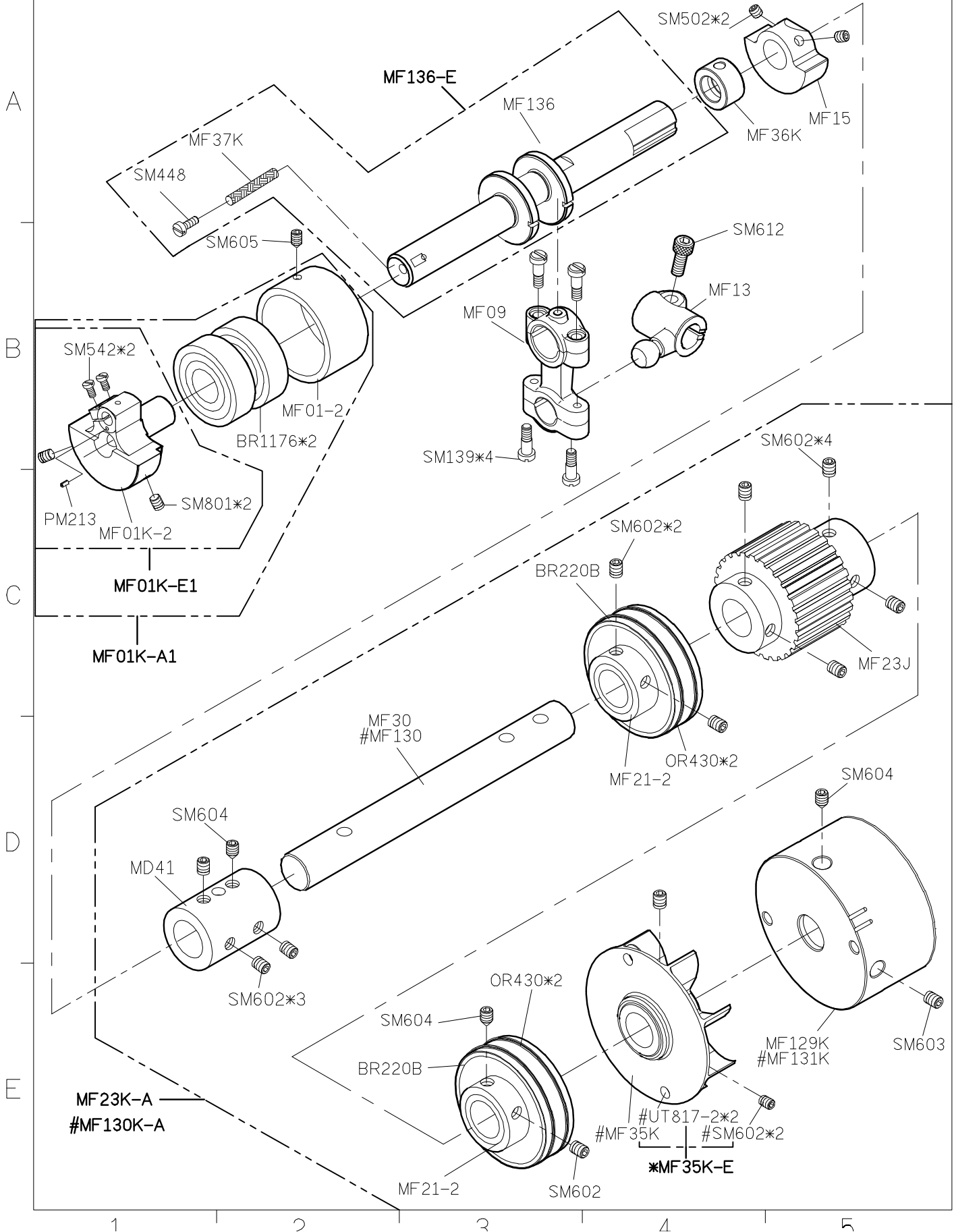
# :Use for F007KD/F858KD

Page

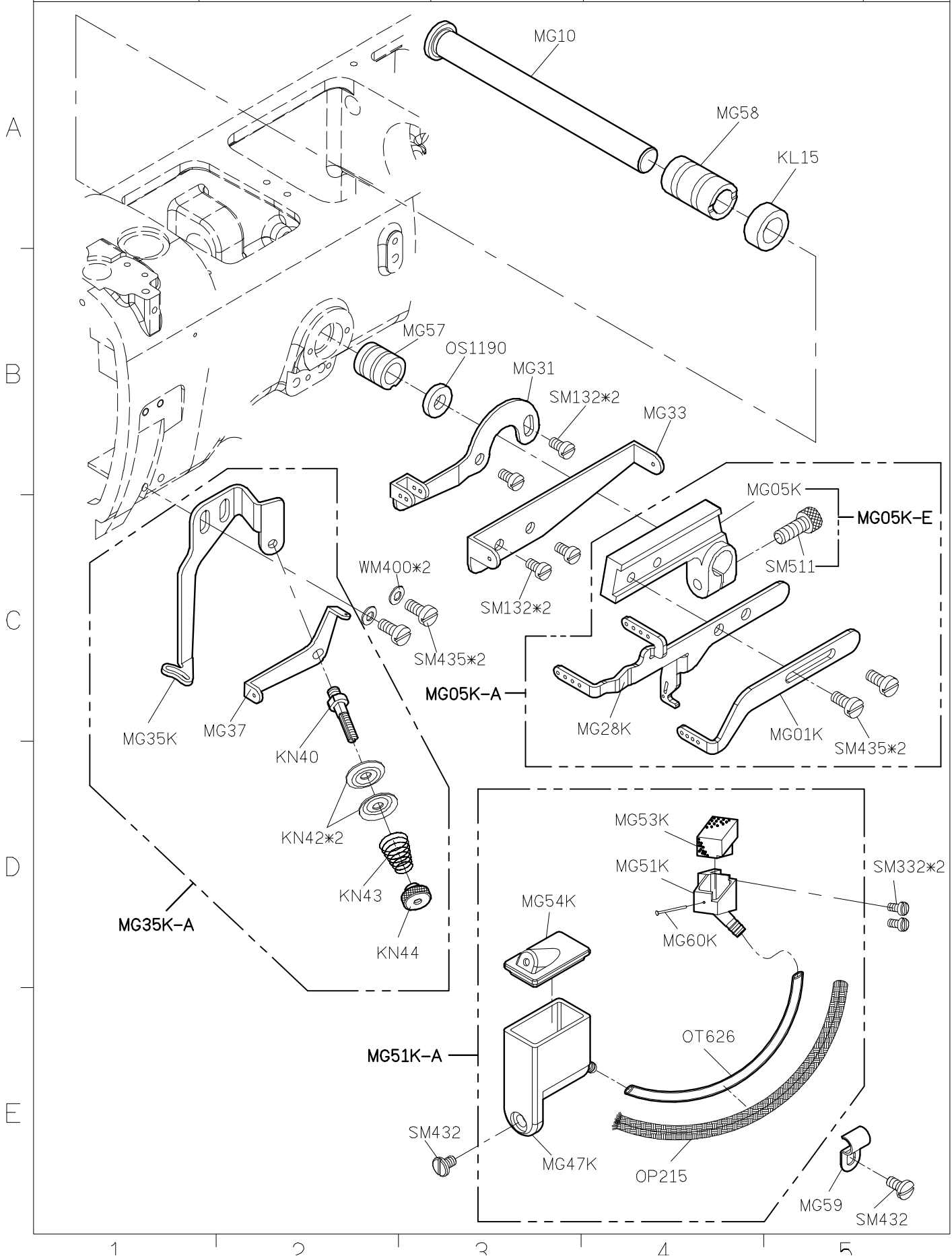
1/1

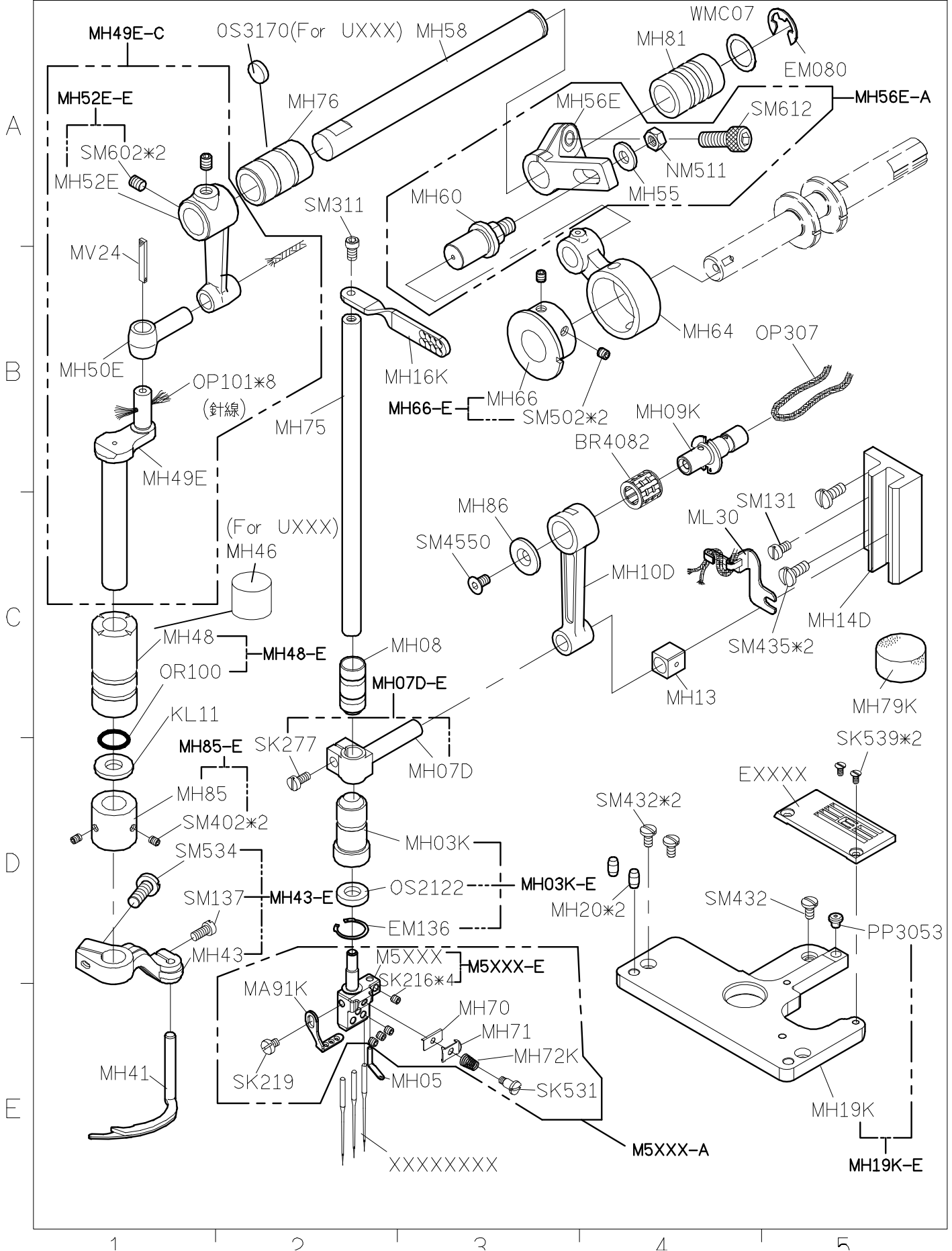
Date

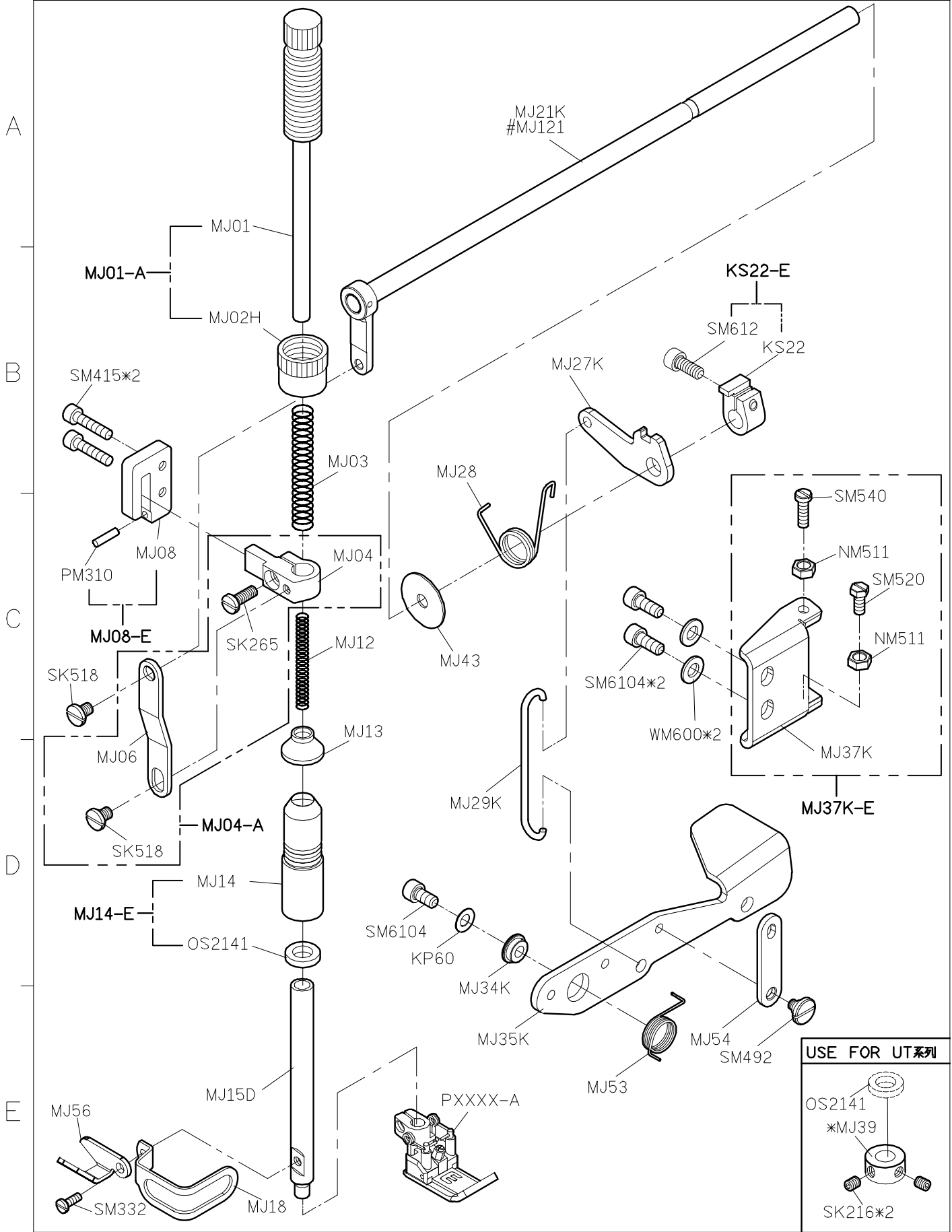
2012/10/31



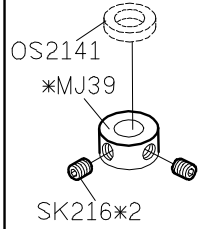
SIRUBA PARTS LIST	Series	Parts Group	Subclass / Remark	Page
	F007K/F007KD	MG-K		1/1
	F858K/F858KD			Date
				2012/10/31







USE FOR UT系列



**SIRUBA**

PARTS LIST

Series

F007K/F007KD  
F858K/F858KD

Parts Group

**MK-K**

Subclass / Remark

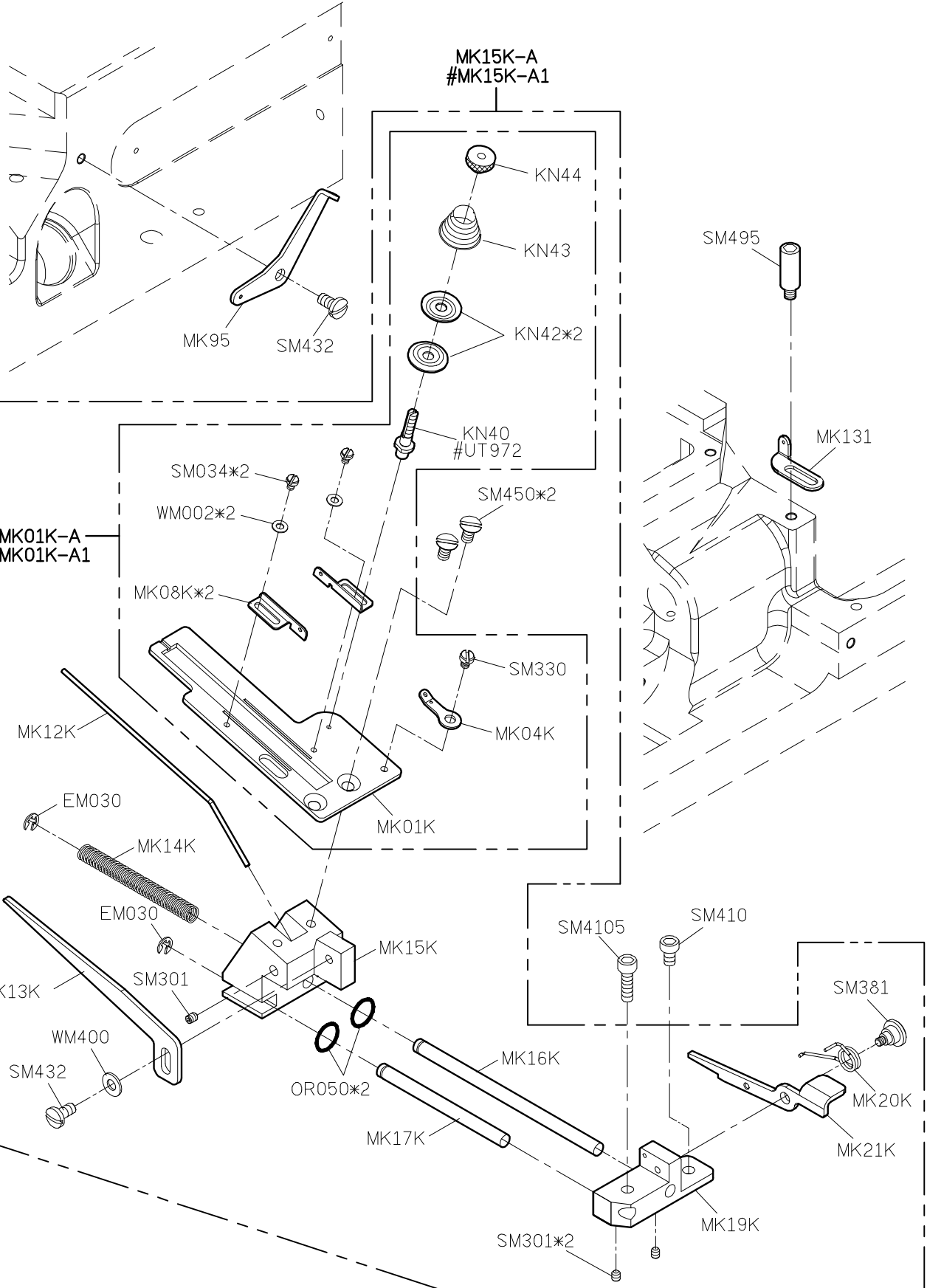
# :Use for UT

Page

1/2

Date

2012/10/31



1

2

3

4

5

**SIRUBA**

PARTS LIST

Series

**F007K/F007KD  
F858K/F858KD**

Parts Group

**MK-K**

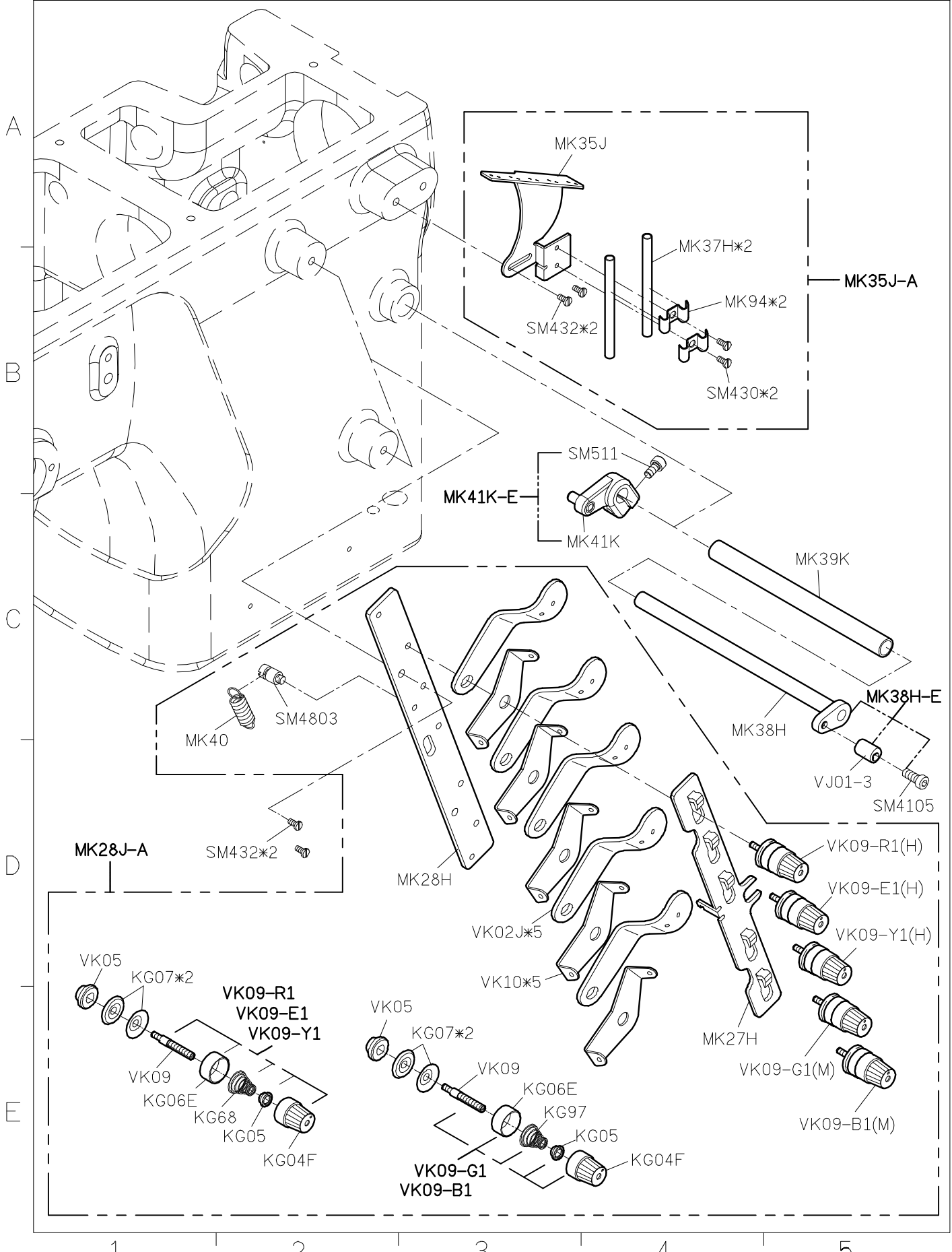
Subclass / Remark

Page

2/2

Date

2012/10/31





**SIRUBA**

PARTS LIST

Series  
**F007K/F007KD**  
**F858K/F858KD**

Parts Group  
**ML-K**

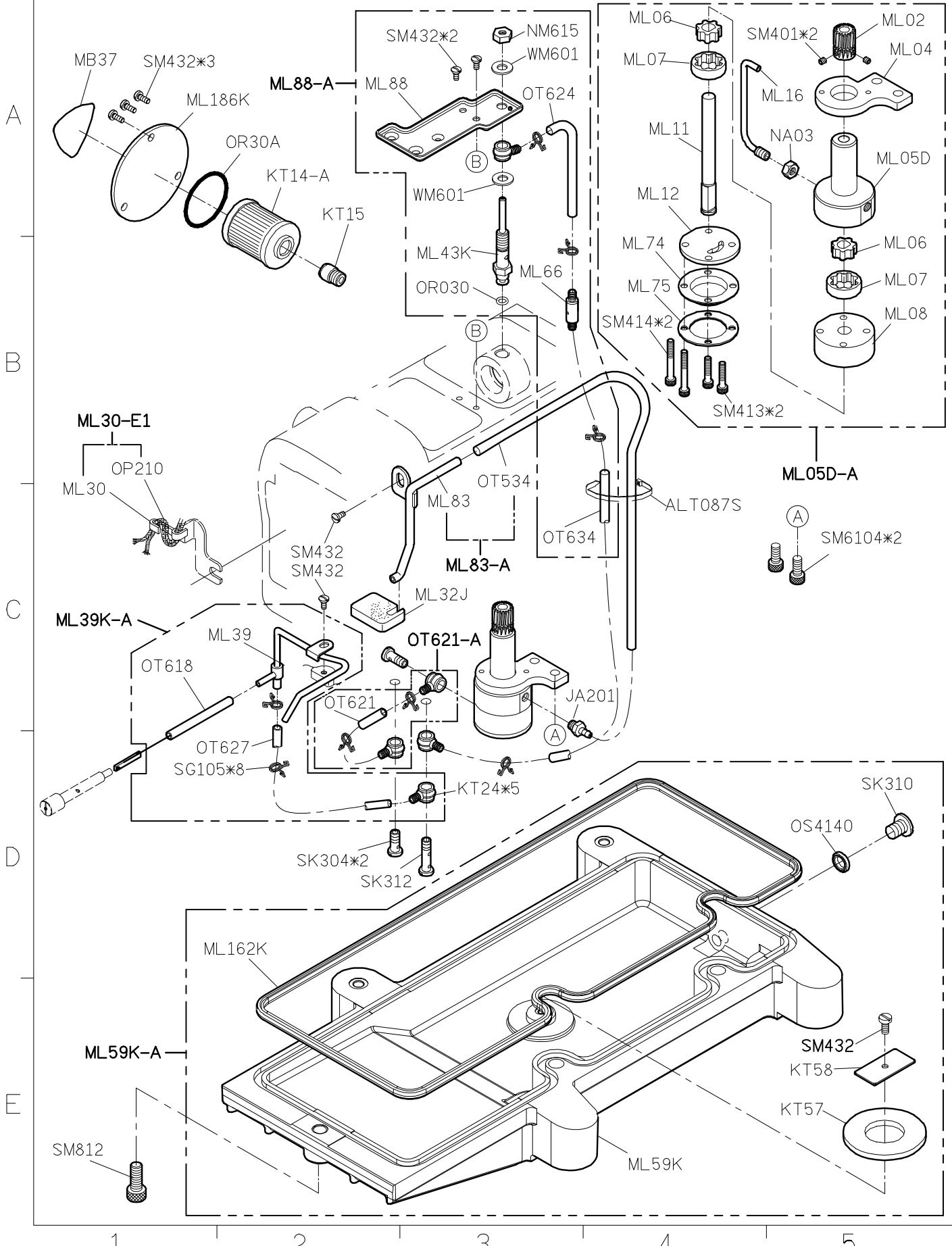
Subclass / Remark

Page

1/1

Date

2012/10/31



1

2

3

4

5

**SIRUBA**

PARTS LIST

Series

**F007K/F007KD  
F858K/F858KD**

Parts Group

**MN-K**

Subclass / Remark

Page

1/2

Date

2012/10/31

**Semi-submerged**

A

B

C

D

E

F007K-T  
F007K-T1(FR)

KX05\*4

MN02K-E

SM531\*2

MN17\*4

MN14-A

MN09

MN02K\*2

MN12

MN12-E\*4

MN15

KX08\*4

MN13\*4

MN16\*4

KX08\*4

MN14\*4

KX206\*3

TXXXXX-A  
POWER CONTROL  
BOX COMB

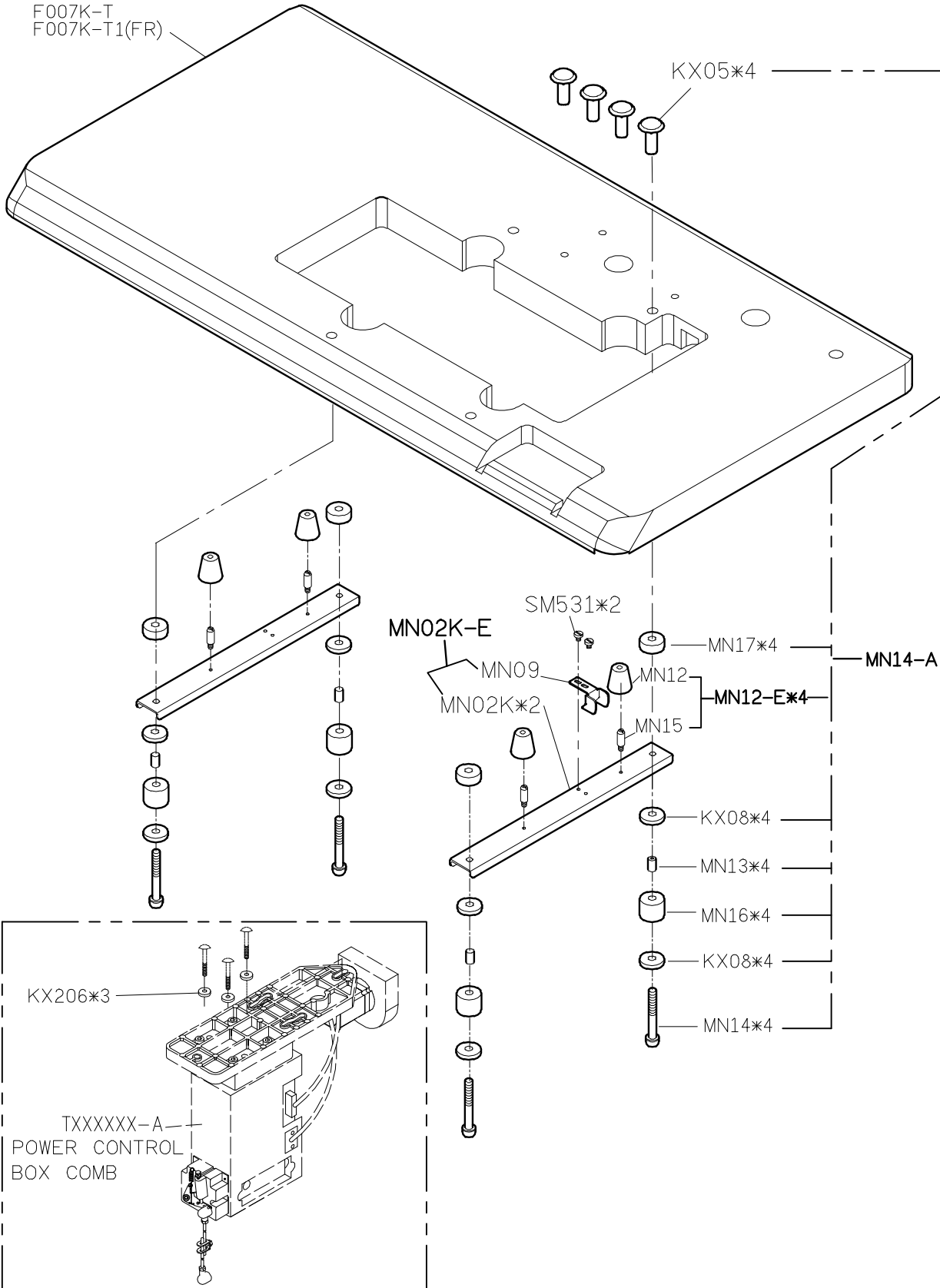
1

2

3

4

5



**SIRUBA**

PARTS LIST

Series  
**F007K/F007KD**  
**F858K/F858KD**

Parts Group  
**MN-K**

Subclass / Remark

Page

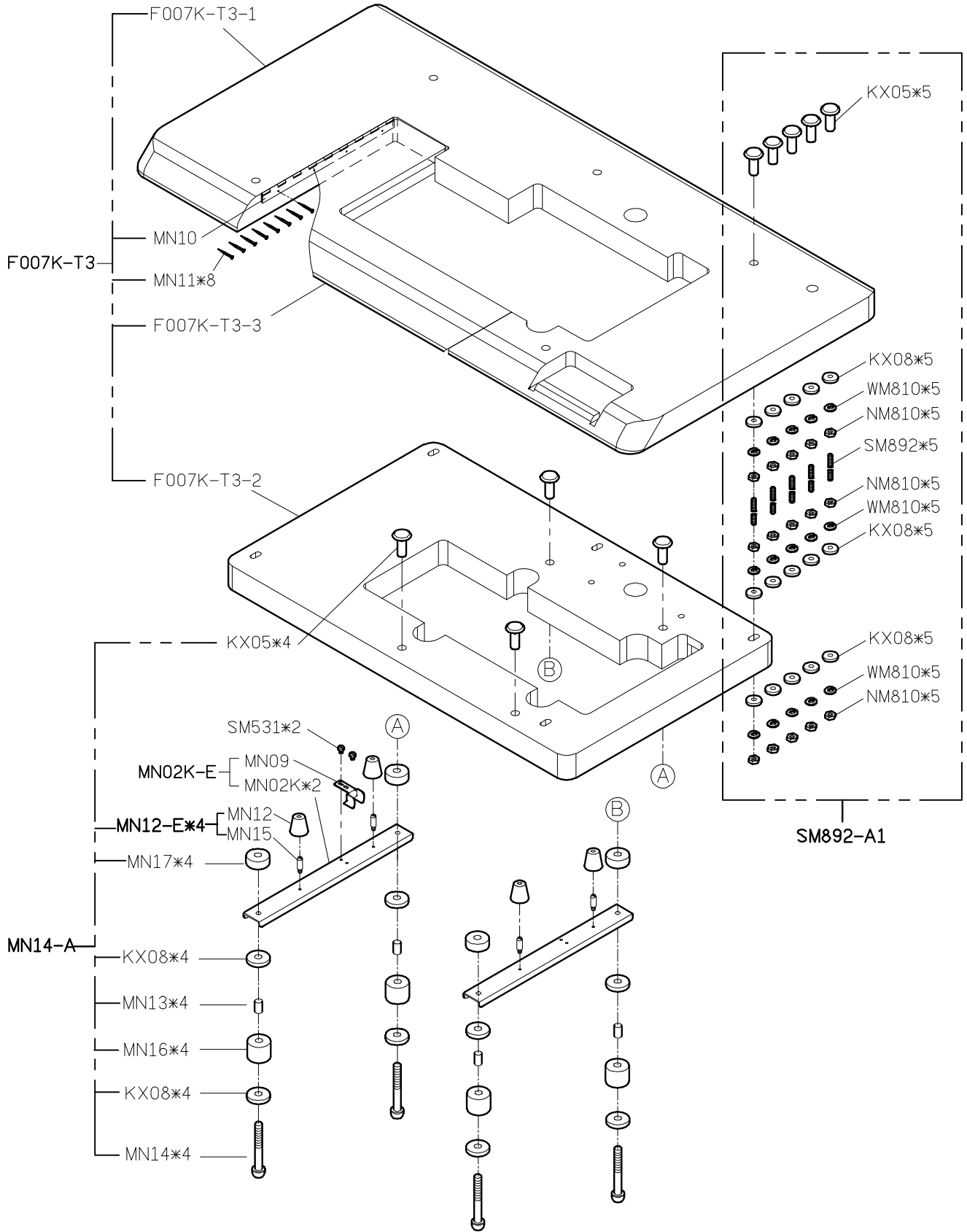
2/2

Date

2012/10/31

**Fully-submerged**





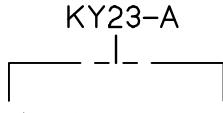
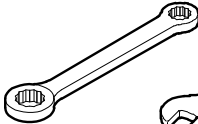
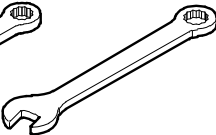
A  
B  
C  
D  
E



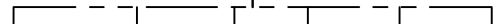






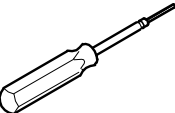
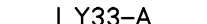
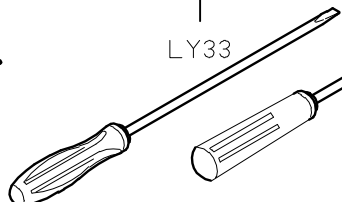
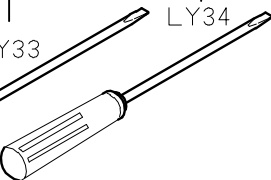
1 2 3 4 5

<b>SIRUBA</b> PARTS LIST	Series	Parts Group	Subclass / Remark	Page
	F007K/F007KD	<b>MY-K</b>		1/1
	F858K/F858KD		Date	
			2012/10/31	


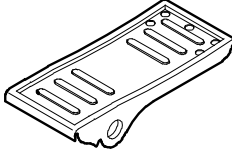
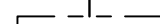
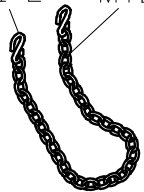


**A**

MY01  KY03  KY04  KY05-A  KY23-A  KY23(6/7mm)  KY09 

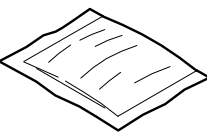
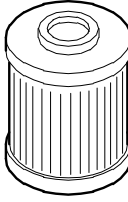

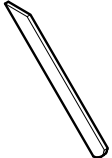
**B**

MY10-A  MY09  1.5 KY10  2 MY10  2.5 MY11  3 MY12  4 KY11  5 KY14  LY33-A  LY33  LY34 

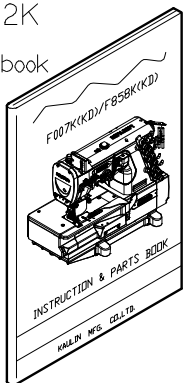
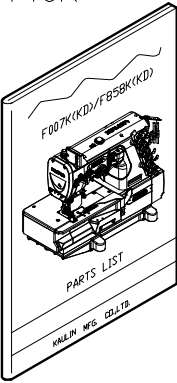
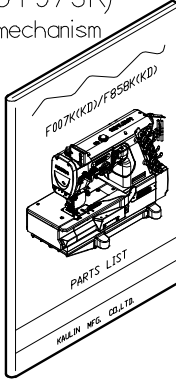
**C**

KY18  KY20D-A  MY21-E  KY21-1\*2  MY21  KY201 

**D**

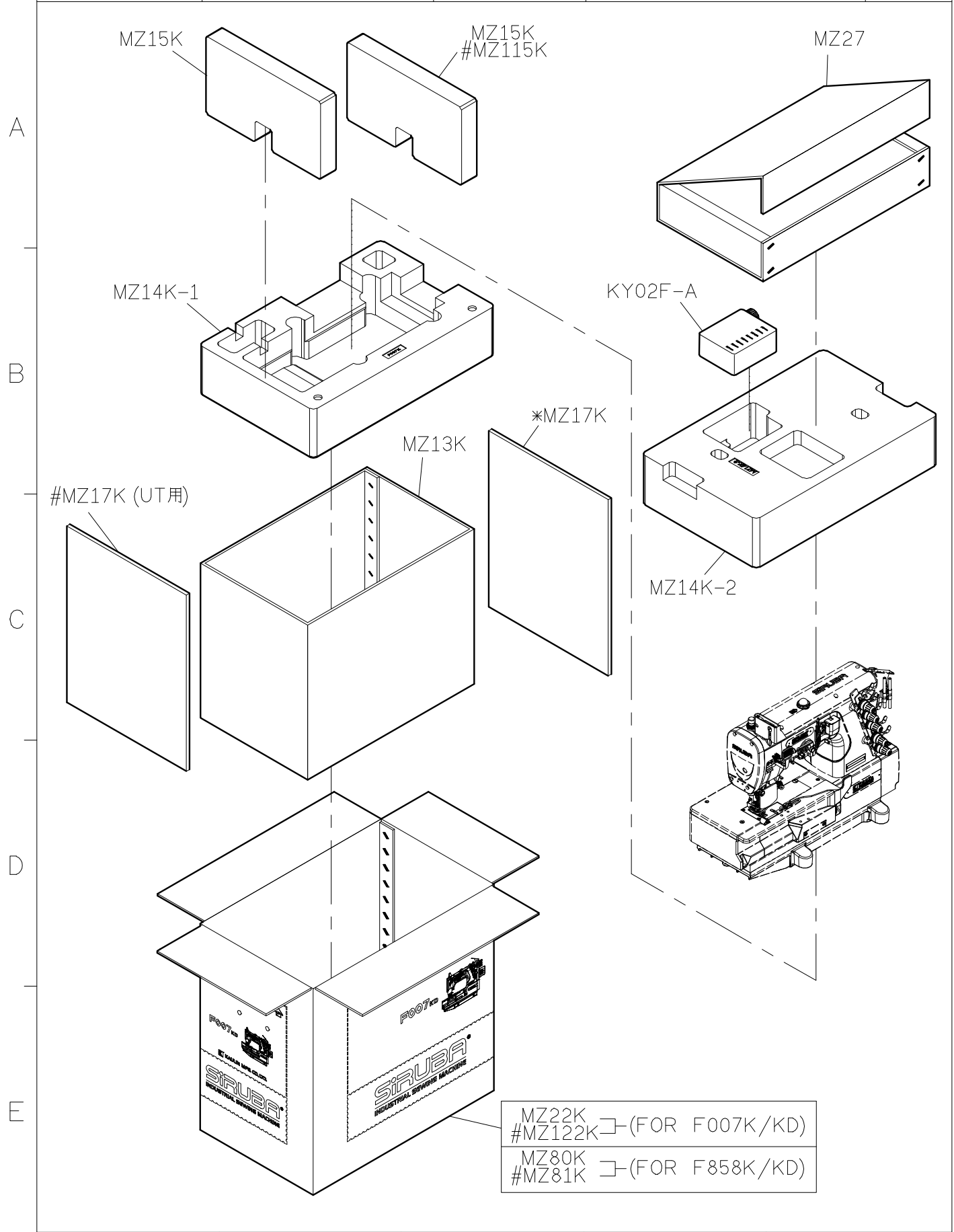
KZ03  KT14-A  UYX128GAS#10\*5  FR40K  加裝FR時用

**E**

Instruction book (使用説明書)  Parts list (零件圖)  Special mechanism (特殊件零件圖) 

Parts list	
Basic mechanism	MY43K
Special mechanism	MY43K MY44K
UTK/UTH UTG/UTJ	MY43K UT973K
Special mechanism + UTK/UTH UTG/UTJ	MY43K MY44K UT973K

SIRUBA PARTS LIST	Series	Parts Group	Subclass / Remark	Page
	F007K/F007KD	MZ-K	# :Use for F007KD/F858KD	1/1
	F858K/F858KD			Date
				2012/10/31



**SIRUBA**

PARTS LIST

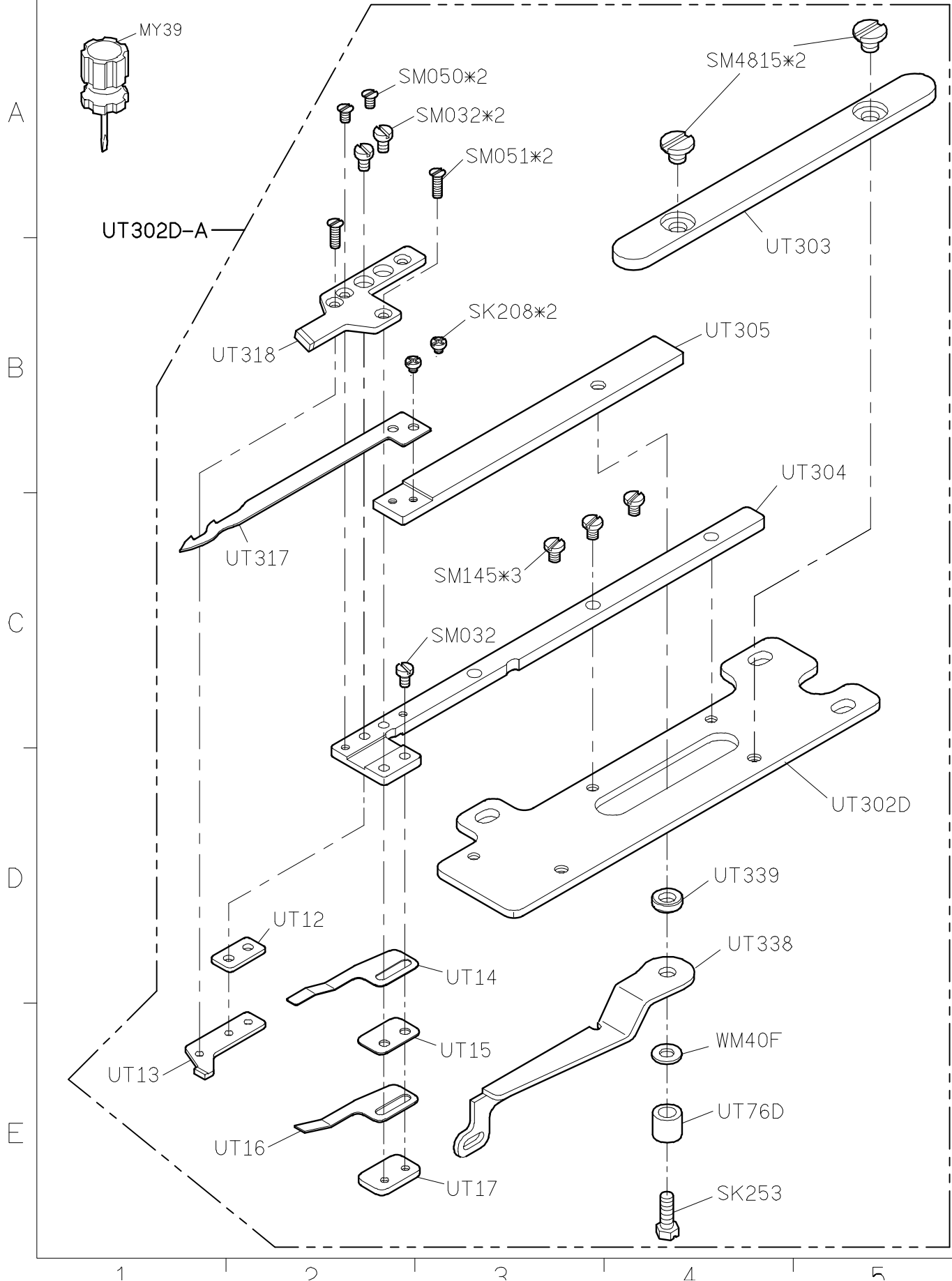
**F007K/F007KD**  
**F858K/F858KD**Parts Group  
**UTG(UTH)-K**

Subclass / Remark

Page

1/11

Date

**2012/10/31**

**SIRUBA**

**PARTS LIST**

**F007K/F007KD  
F858K/F858KD**

**Parts Group  
UTG(UTH)-K**

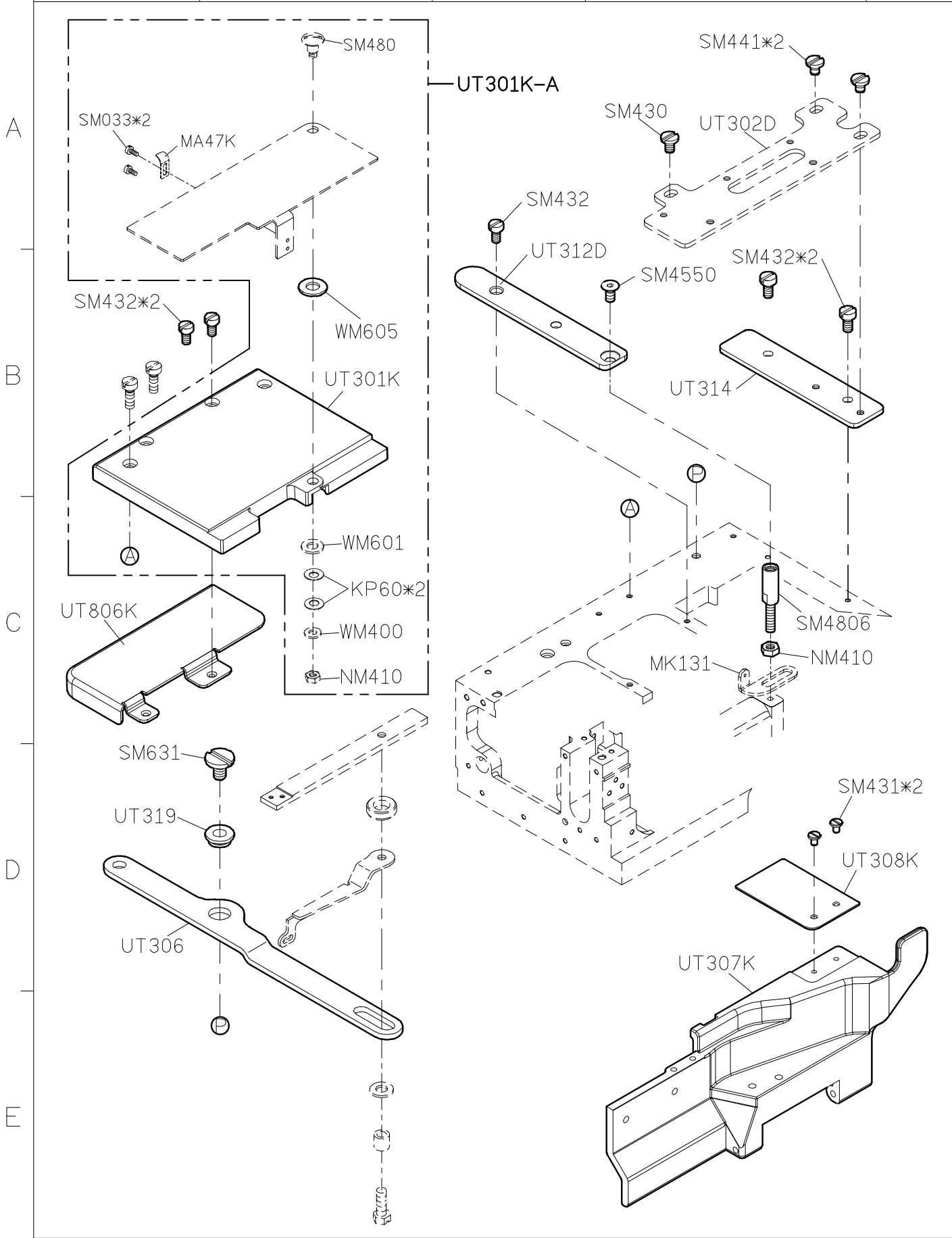
**Subclass / Remark**

**Page**

**2/11**

**Date**

**2012/10/31**



1

2

2

4

5

**SIRUBA**

PARTS LIST

**F007K/F007KD  
F858K/F858KD****Parts Group  
UTG(UTH)-K**

Subclass / Remark

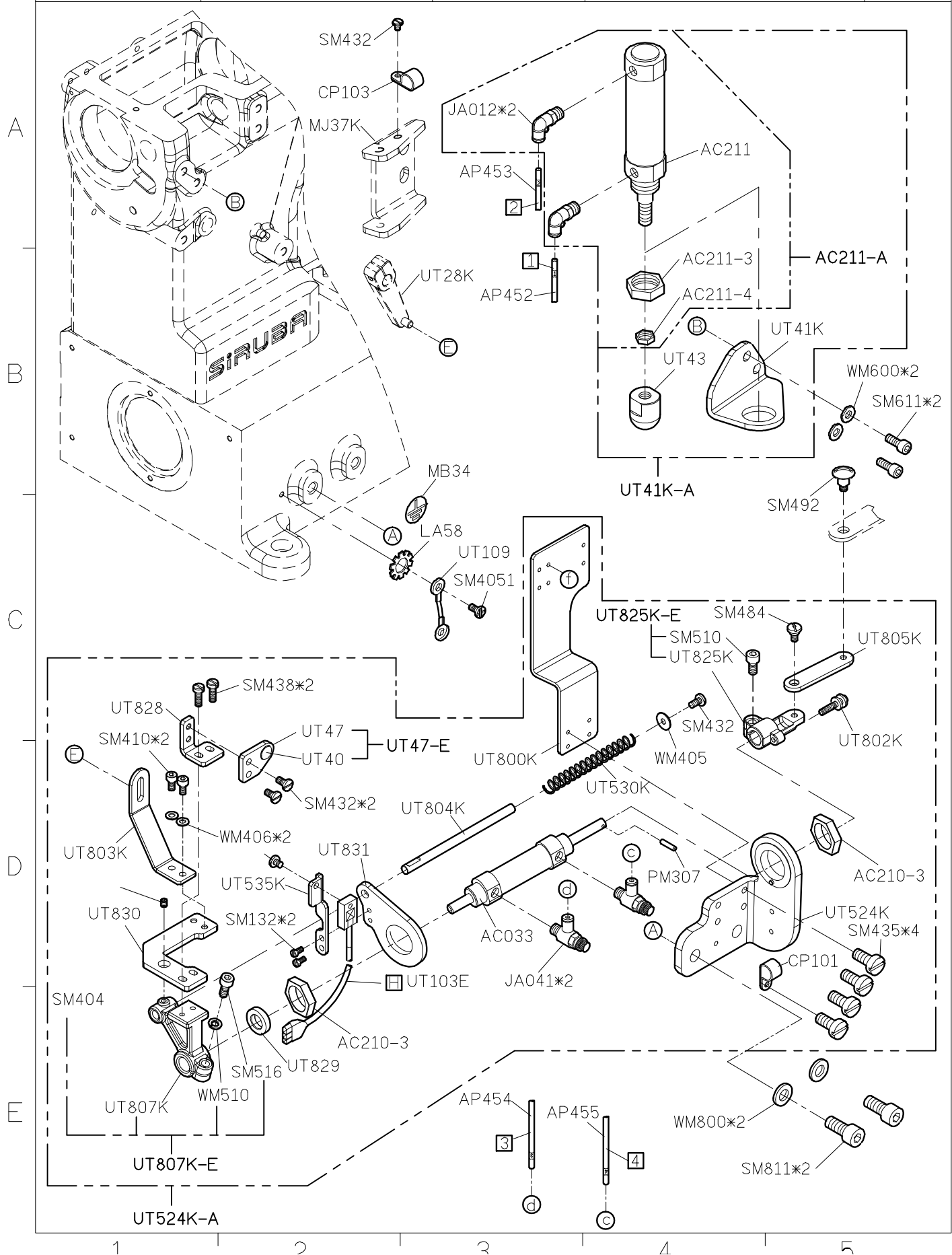
☐ : For H brand motor

Page

3/11

Date

2012/10/31





**SIRUBA**

PARTS LIST

**F007K/F007KD**  
**F858K/F858KD**Parts Group  
**UTG(UTH)-K**

Subclass / Remark

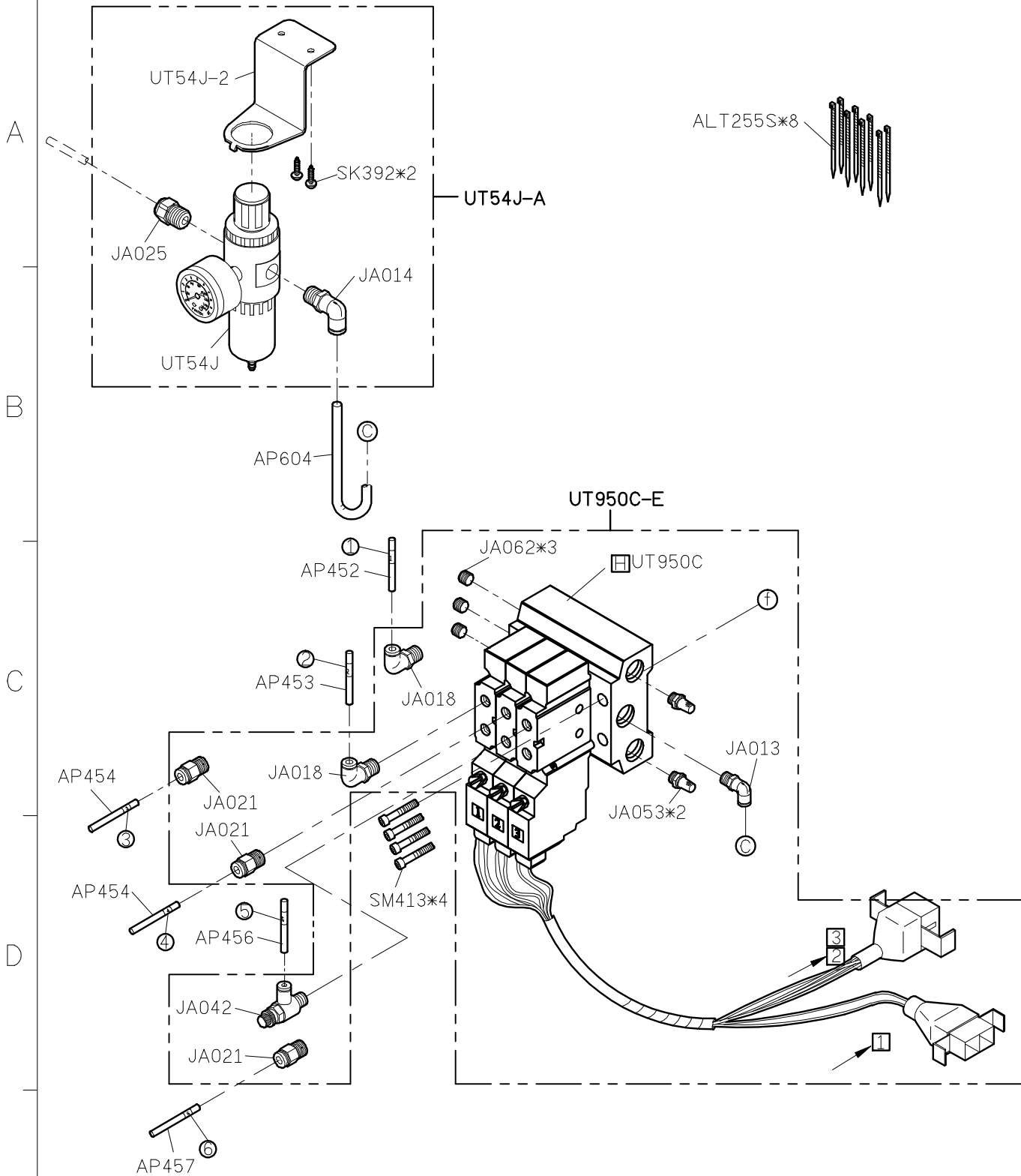
☐ : For H brand motor

Page

4/11

Date

2012/10/31



- 1 LIFT PRESSER FOOT  
 2 LOOP TRIMMER  
 3 TOP CUTTER  
 (WIPER)

1

2

3

4

5

**SIRUBA**

PARTS LIST

F007K/F007KD  
F858K/F858KD

Parts Group  
UTG(UTH)-K

Subclass / Remark  
For F007K/F858K

Page  
5/11  
Date  
2012/10/31

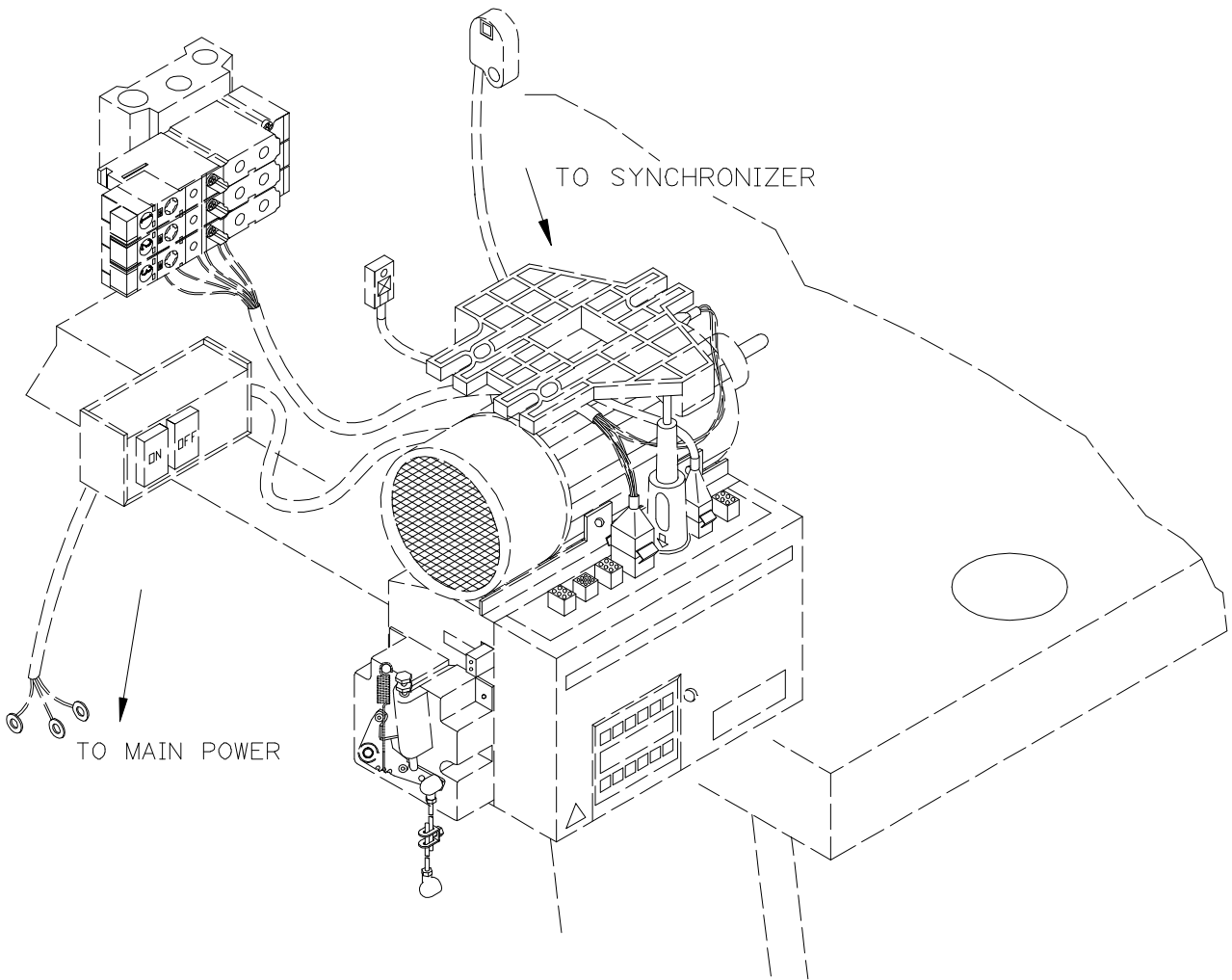
A

B

C

D

E



1

2

3

4

5

**SIRUBA**

**PARTS LIST**

**F007K/F007KD**

**F858K/F858KD**

**Parts Group**

**UTG(UTH)-K**

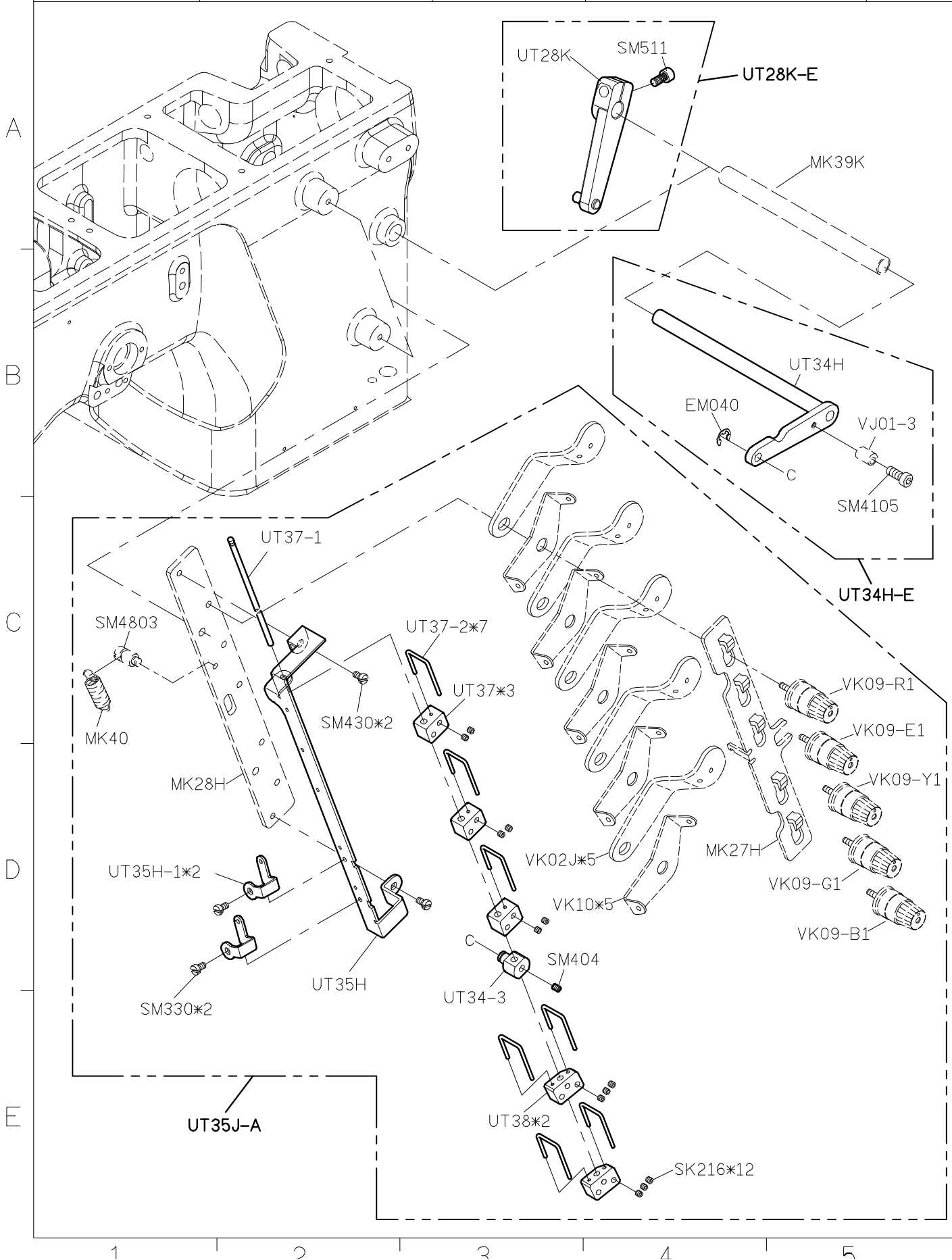
**Subclass / Remark**

**Page**

**6/11**

**Date**

**2012/10/31**



**SIRUBA**

PARTS LIST

**F007K/F007KD**  
**F858K/F858KD**

Parts Group

UTH-K

Subclass / Remark

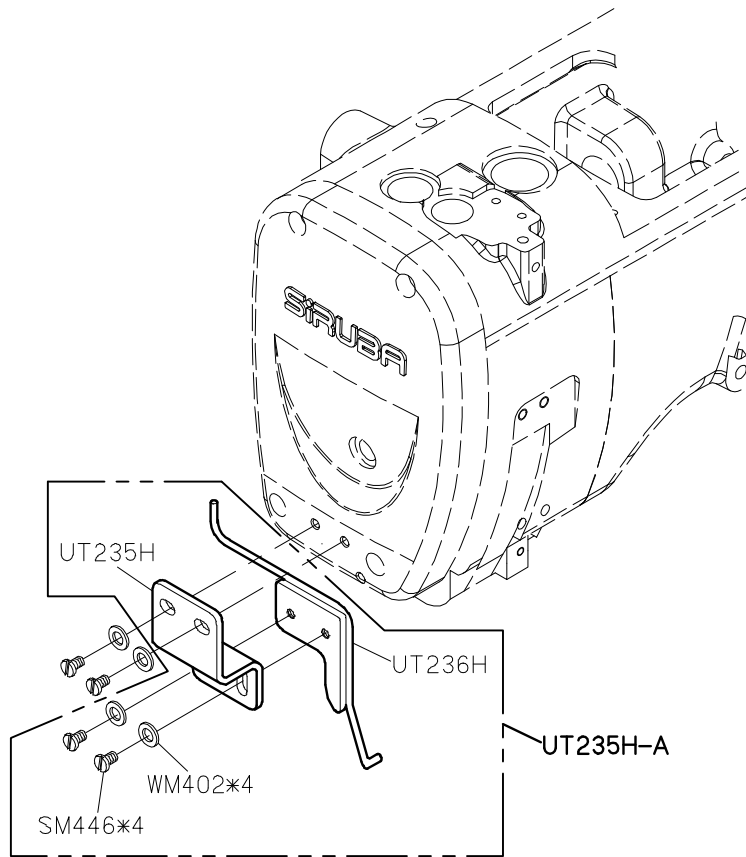
Page

7/11

Date

2012/10/31

FOR LEFT SIDE



**SIRUBA**

PARTS LIST

**F007K/F007KD**  
**F858K/F858KD**

Parts Group

UTG-K

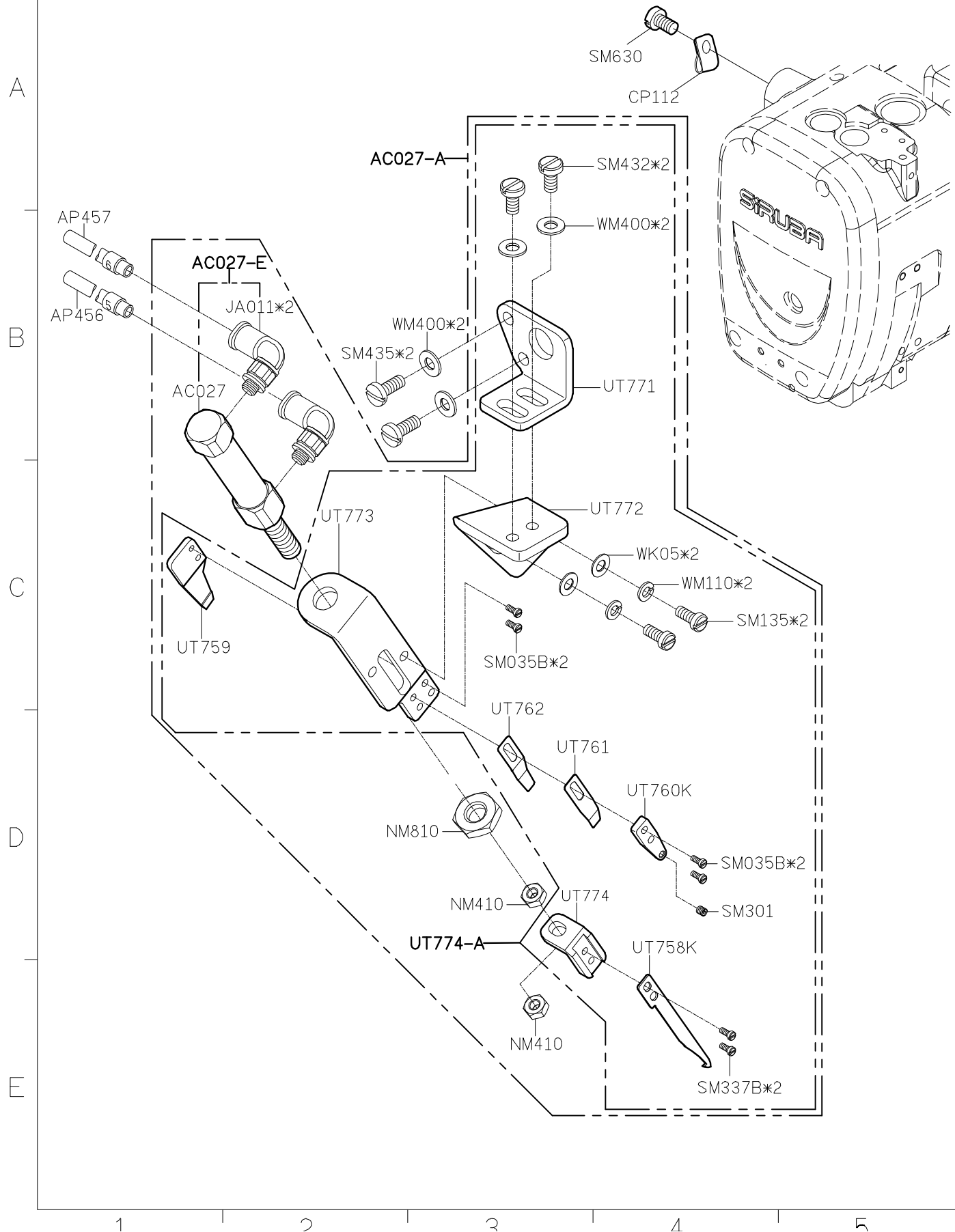
Subclass / Remark

Page

8/11

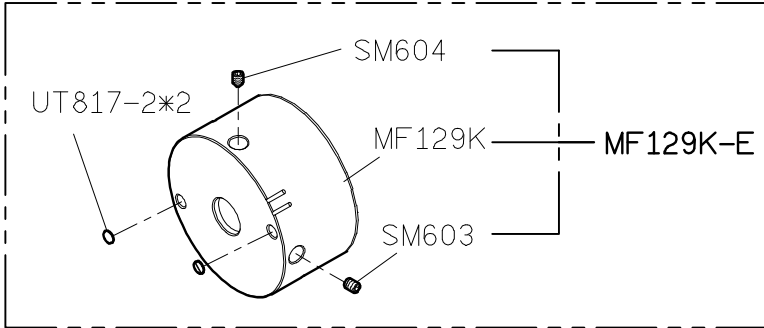
Date

2012/10/31

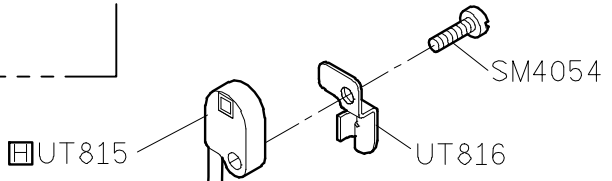


SIRUBA PARTS LIST	F007K/F007KD F858K/F858KD	Parts Group	Subclass / Remark	Page
		UTG(UTH)-K	For F007K/F858K ☐ : For H brand motor	9/11
				Date
				2012/10/31

A



B



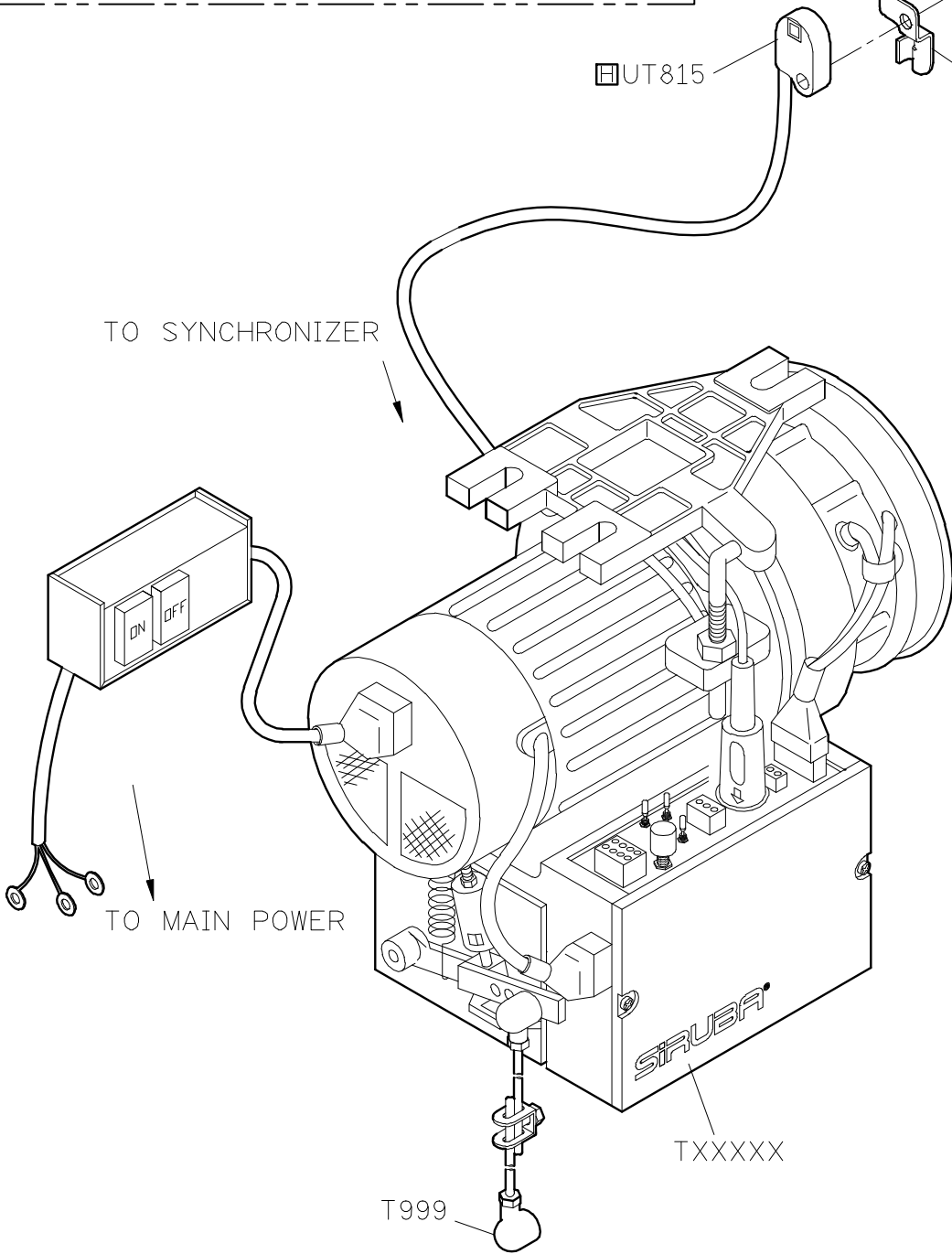
C

TO SYNCHRONIZER

D

TO MAIN POWER

E



**SIRUBA**

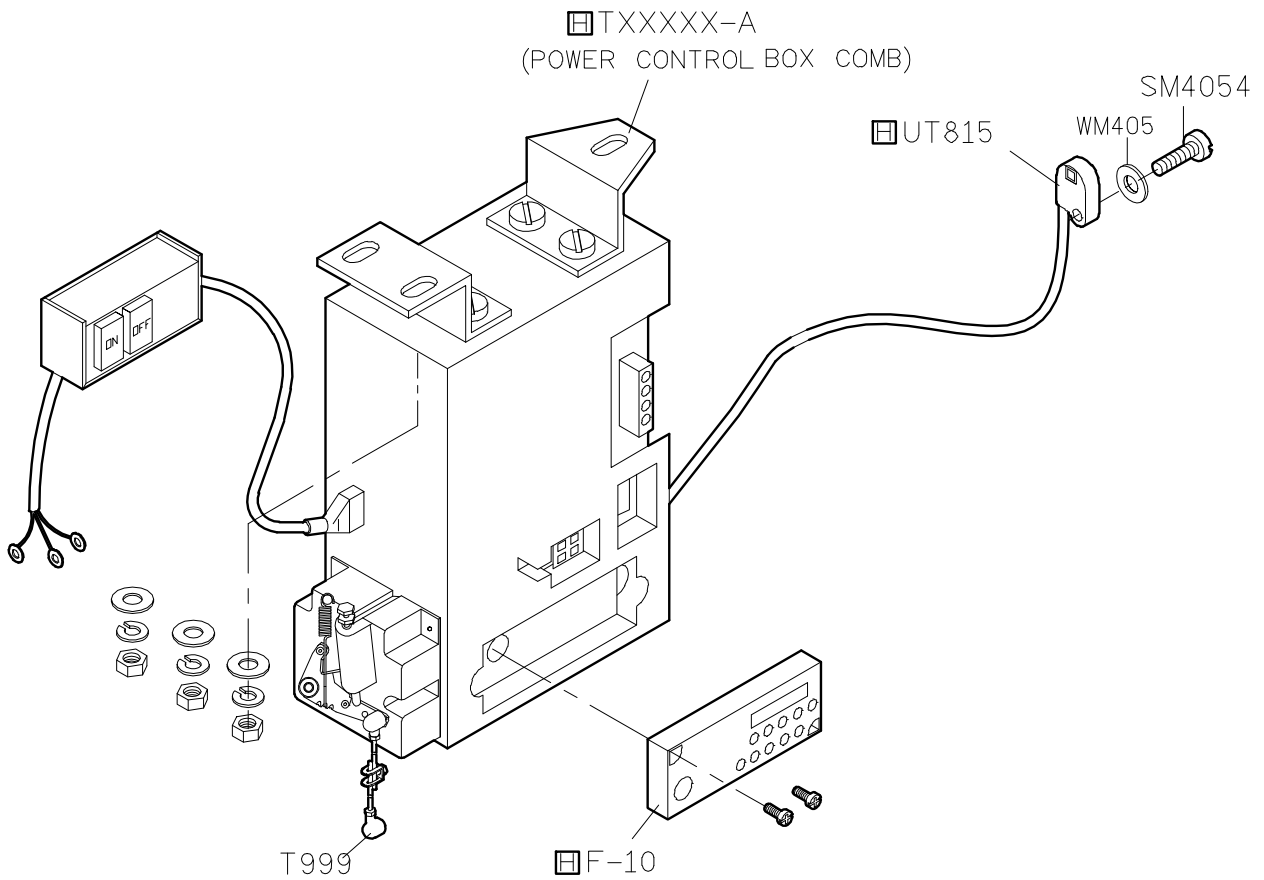
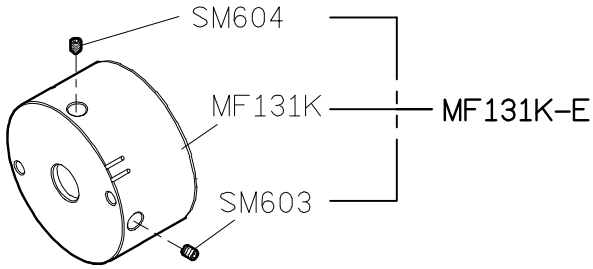
PARTS LIST

F007K/F007KD  
F858K/F858KD

Parts Group  
UTG(UTH)-K

Subclass / Remark  
For F007KD/F858KD  
☐: For H brand motor(HVP-20)

Page  
10/11  
Date  
2012/10/31



1

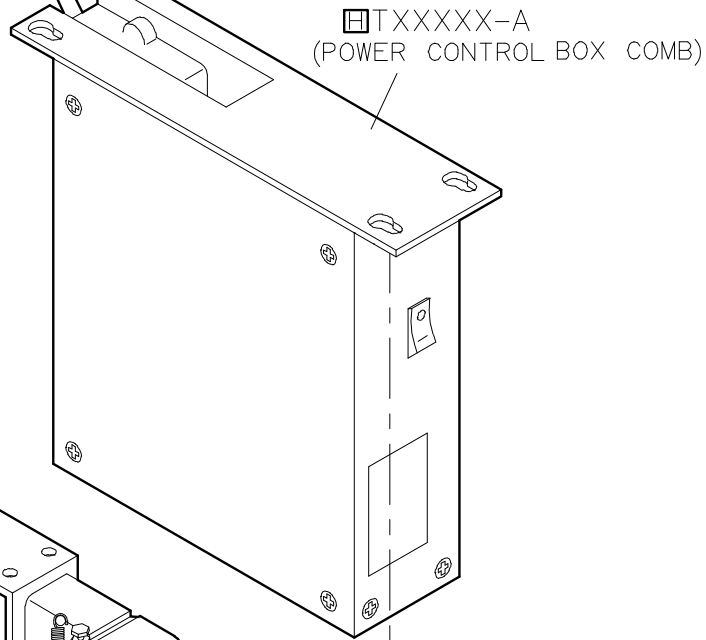
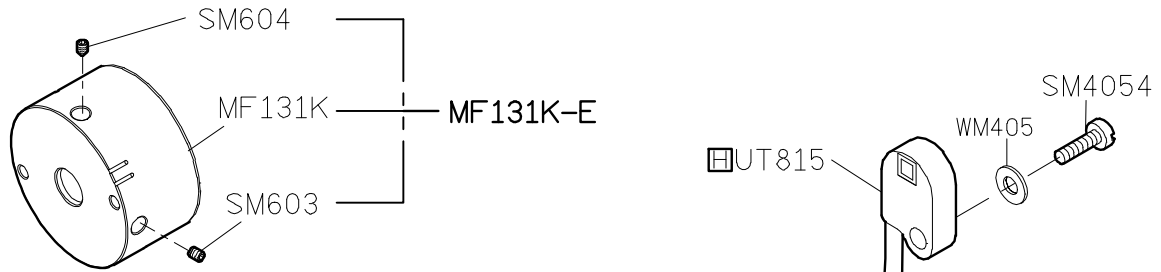
2

3

4

5

SIRUBA PARTS LIST	Series	Parts Group	Subclass / Remark	Page
	F007K/F007KD	UTG(UTH)-K	For F007KD/F858KD	11/11
	F858K/F858KD		☐ For H brand motor(HVP-70)	Date
				2012/10/31





**SIRUBA**

PARTS LIST

**F007K/F007KD**

**F858K/F858KD**

Parts Group  
**UTJ(UTK)-K**

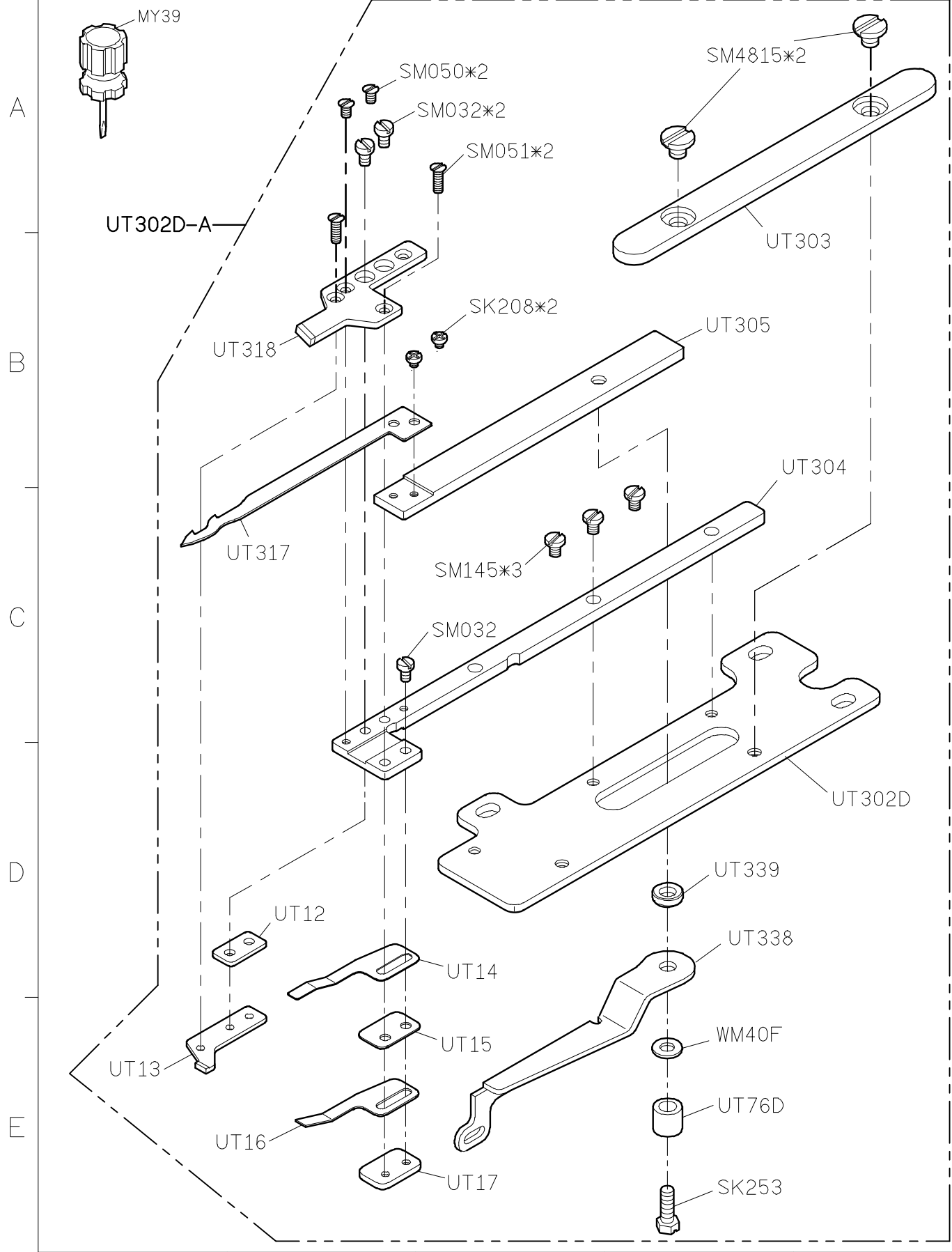
Subclass / Remark

Page

1/13

Date

2012/10/31



**SIRUBA**

**PARTS LIST**

**F007K/F007KD**  
**F858K/F858KD**

**Parts Group**  
**UTJ(UTK)-K**

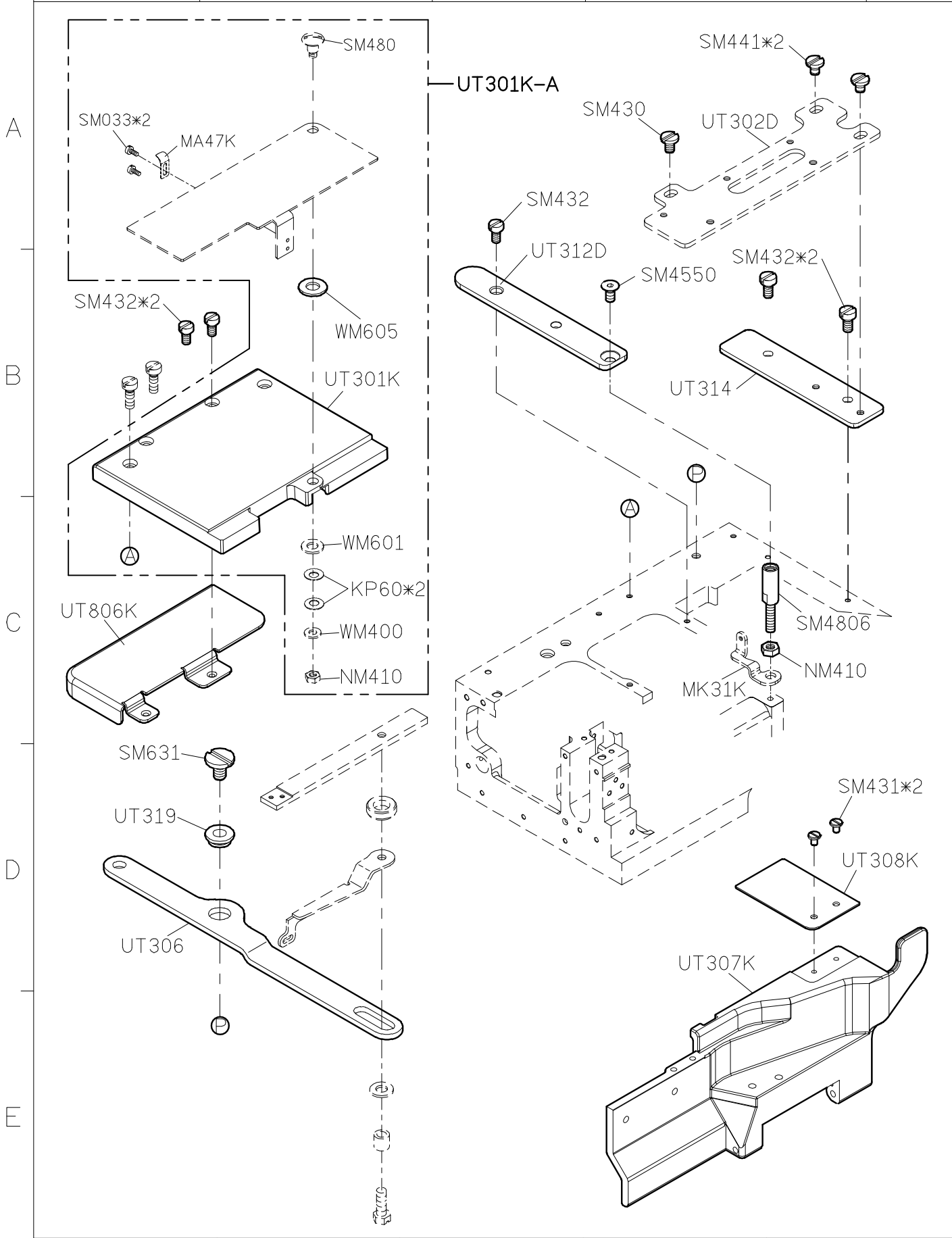
**Subclass / Remark**

**Page**

**2/13**

**Date**

**2012/10/31**



1

2

3

4

5

A

B

C

D

E

**SIRUBA**

PARTS LIST

**F007K/F007KD**  
**F858K/F858KD**Parts Group  
**UTJ(UTK)-K**

Subclass / Remark

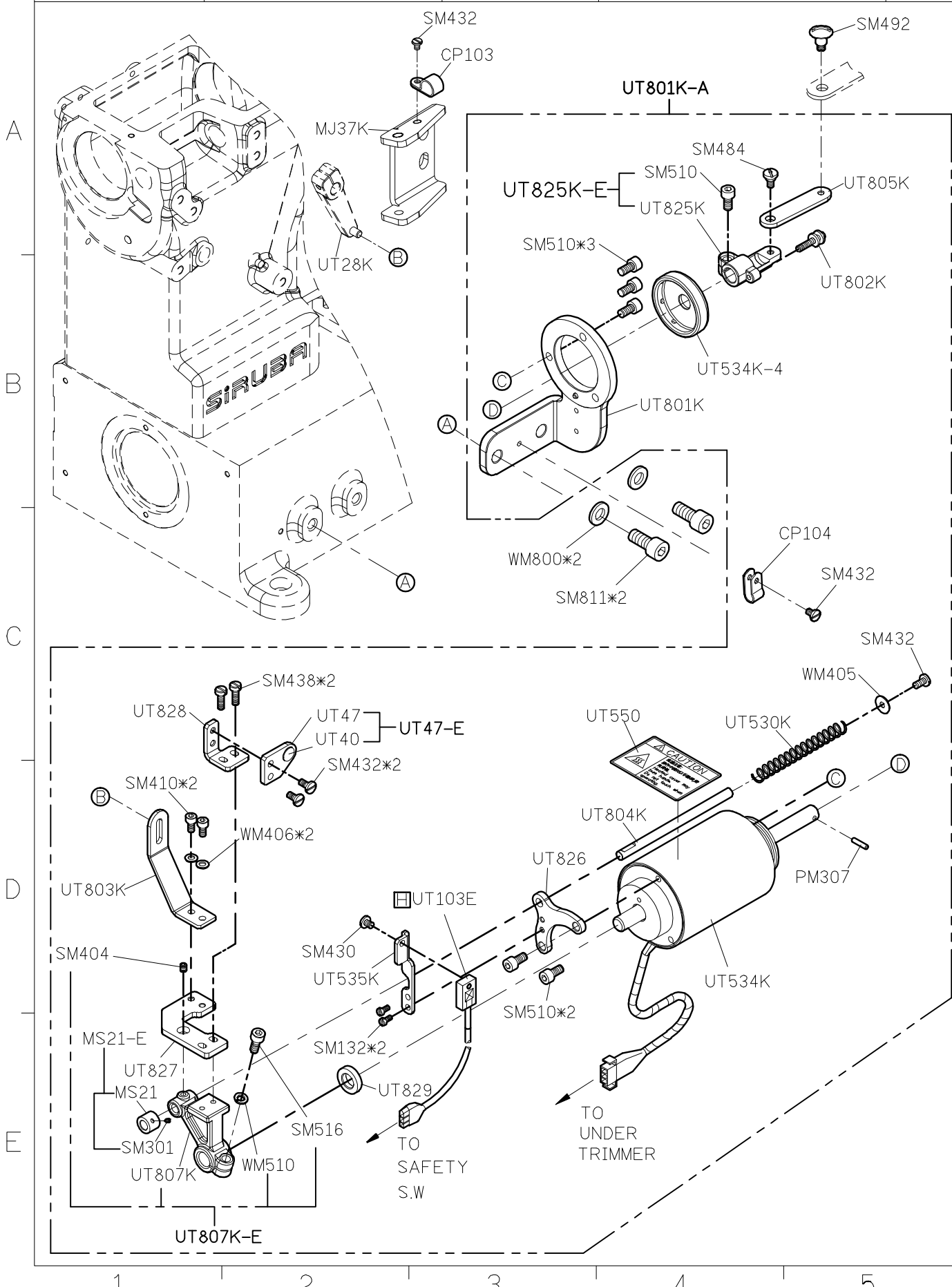
☐ : For H brand motor

Page

3/13

Date

2012/10/31



**SIRUBA**

PARTS LIST

F007K/F007KD

F858K/F858KD

Parts Group  
UTJ(UTK)-K

Subclass / Remark

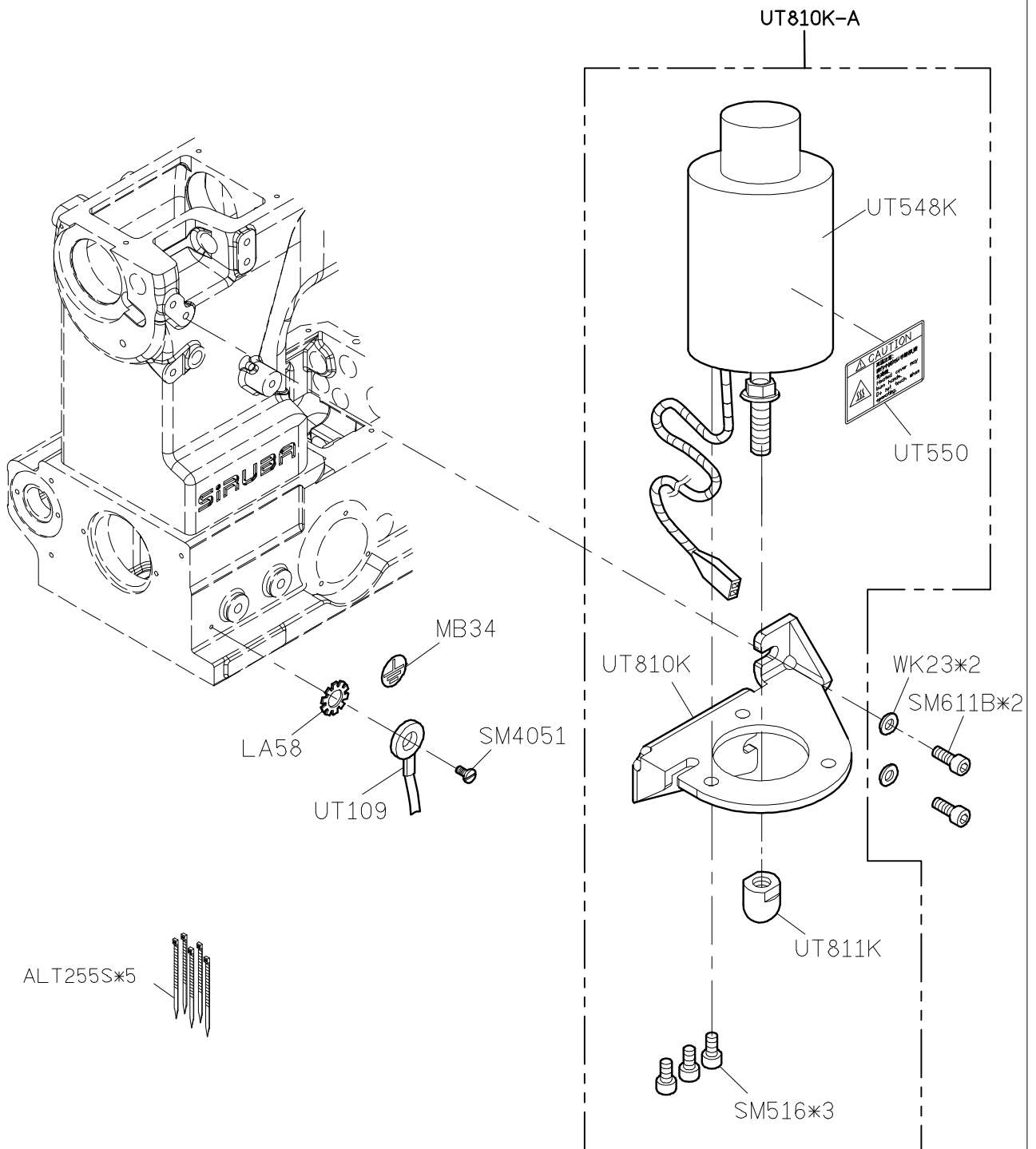
Page

4/13

Date

2012/10/31

A  
B  
C  
D  
E



1 2 3 4 5

**SIRUBA**

**PARTS LIST**

**F007K/F007KD**  
**F858K/F858KD**

**Parts Group**  
**UTJ(UTK)-K**

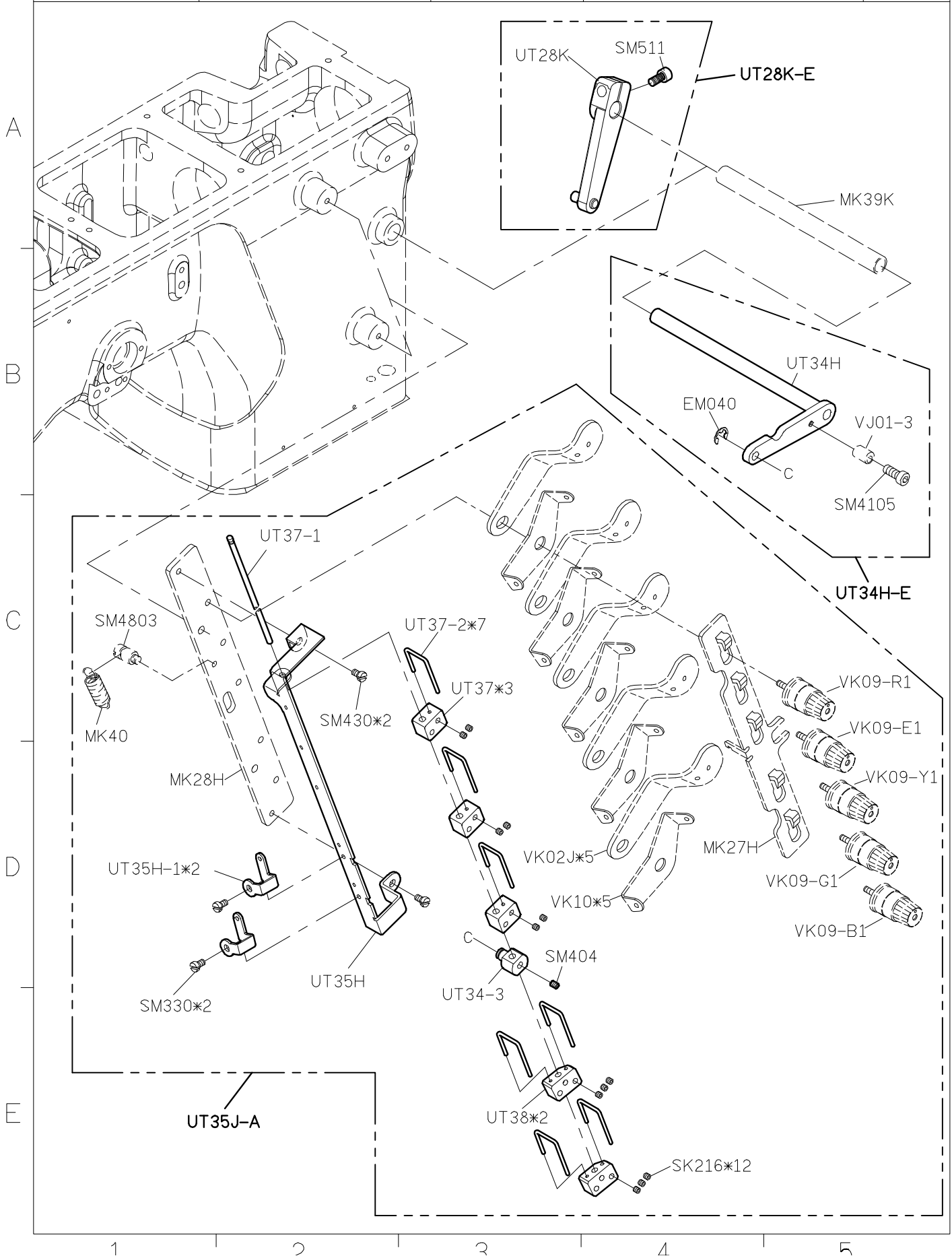
**Subclass / Remark**

**Page**

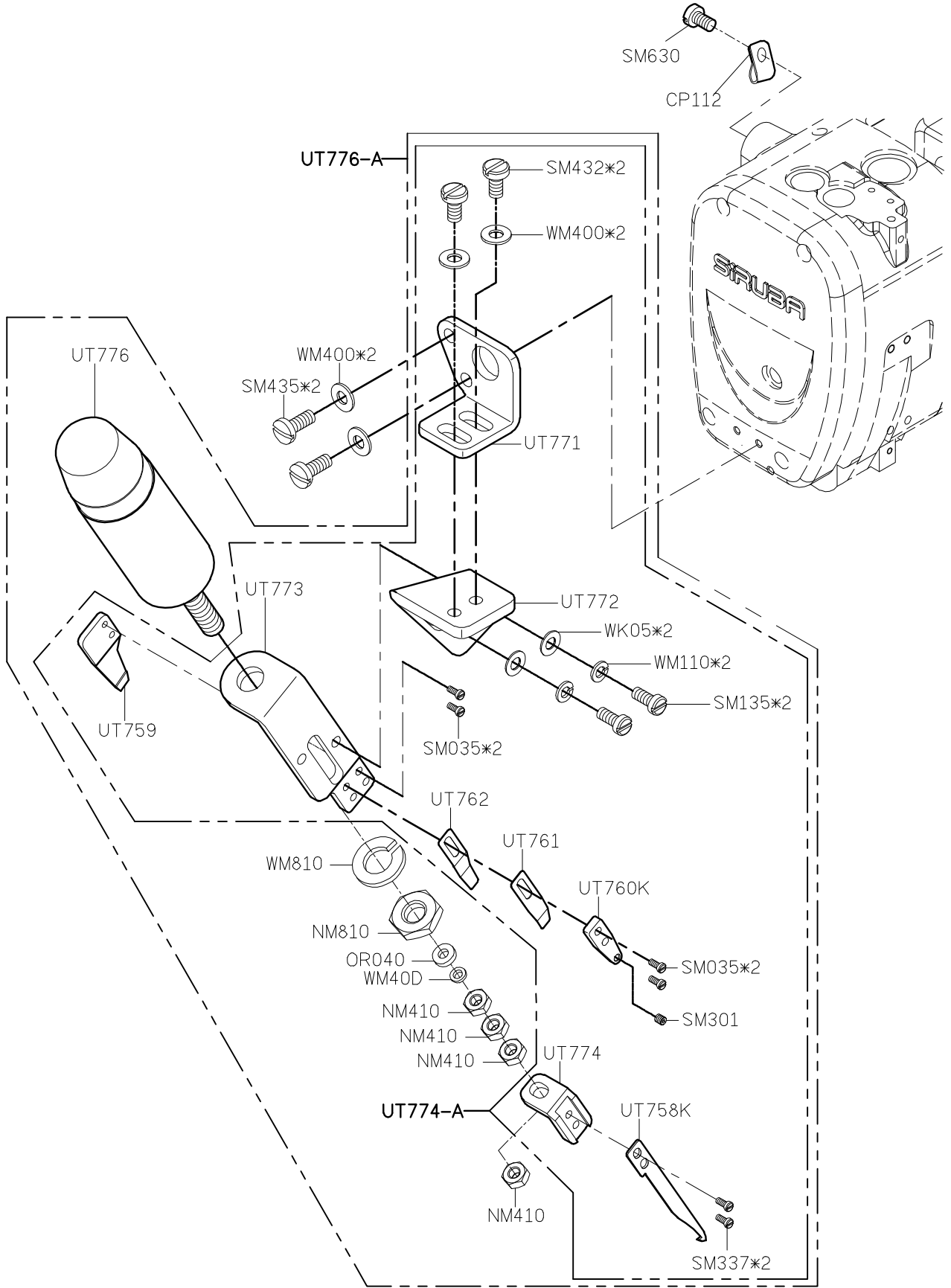
**5/13**

**Date**

**2012/10/31**



A  
B  
C  
D  
E



**SIRUBA**

PARTS LIST

F007K/F007KD

F858K/F858KD

Parts Group

**UTK-K**

Subclass / Remark

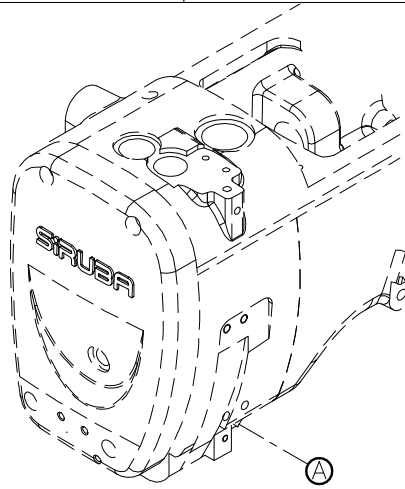
Page

7/13

Date

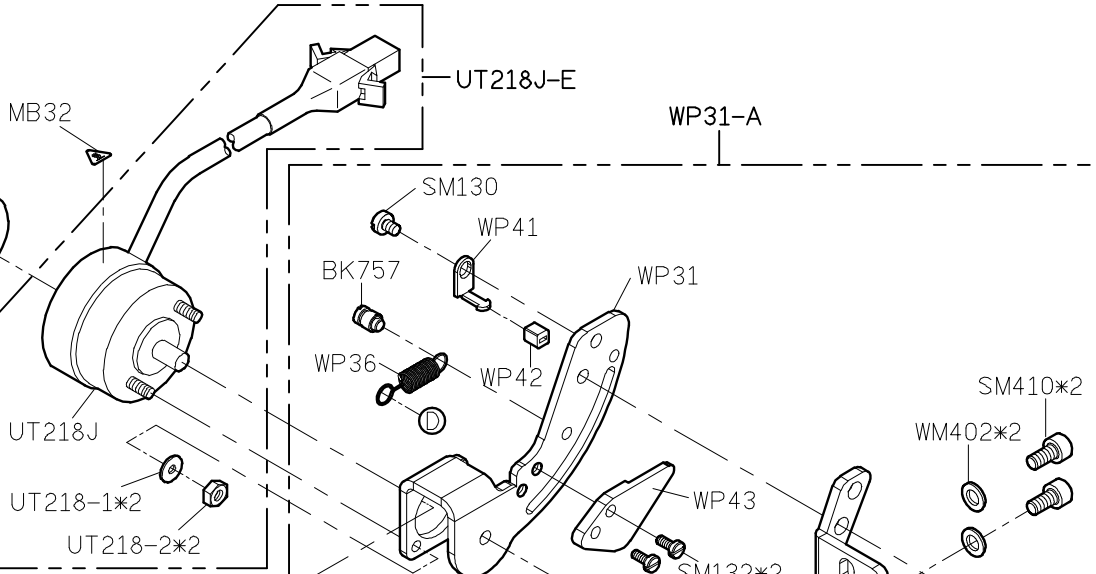
2012/10/31

A

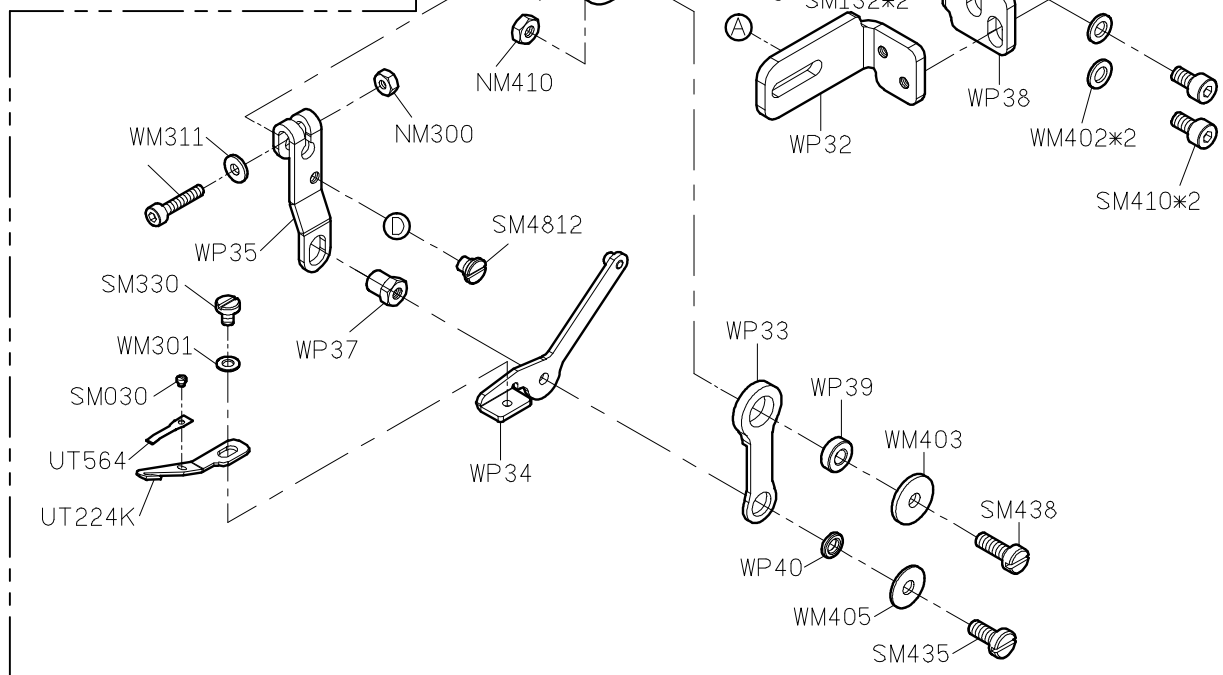


UT218J-A1

B



C



D

E

**SIRUBA**

PARTS LIST

**F007K/F007KD**  
**F858K/F858KD**

Parts Group  
**UTJ(UTK)-K**

Subclass / Remark  
For F007K/F858K  
☐ : For H brand motor

Page  
**8/13**  
Date  
**2012/10/31**

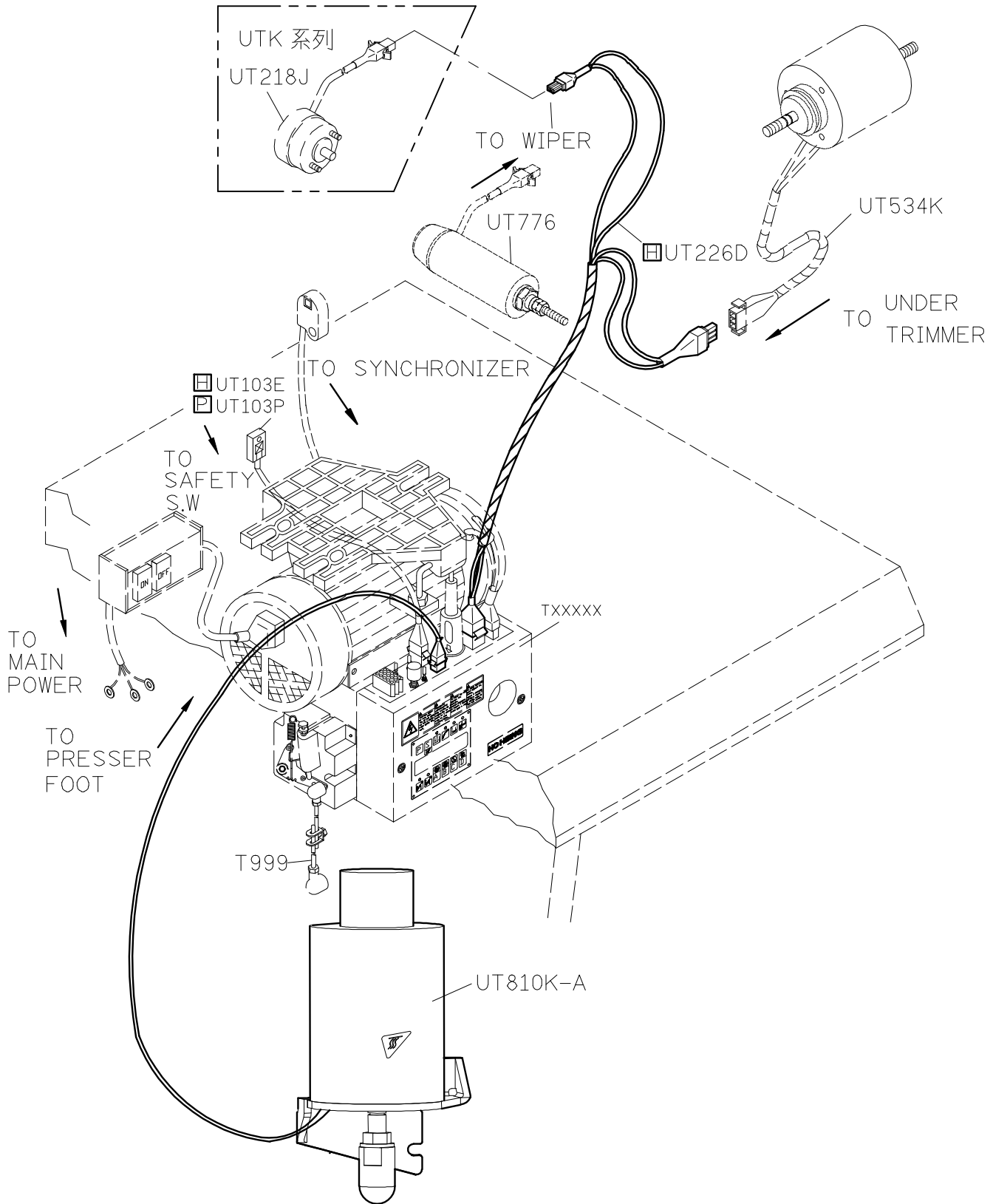
A

B

C

D

E





**SIRUBA**

PARTS LIST

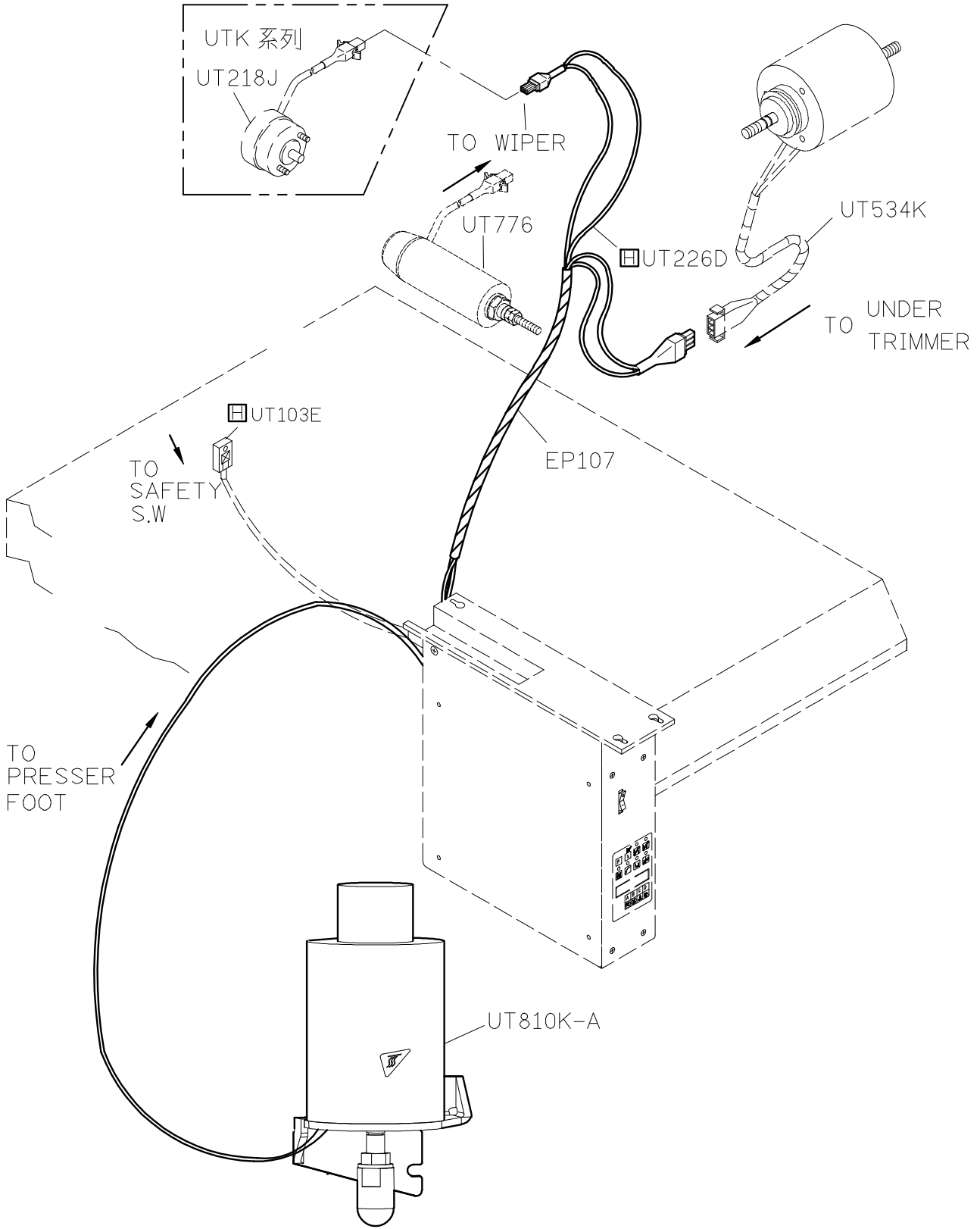
F007K/F007KD  
F858K/F858KD

Parts Group  
UTJ(UTK)-K

Subclass / Remark  
For F007KD/F858KD  
☐ : For H brand motor

Page  
9/13  
Date  
2012/10/31

A  
B  
C  
D  
E



**SIRUBA**

PARTS LIST

F007K/F007KD  
F858K/F858KD

Parts Group  
UTJ(UTK)-K

Subclass / Remark  
For F007KD/F858KD  
☐ : For H brand motor

Page  
10/13  
Date  
2012/10/31

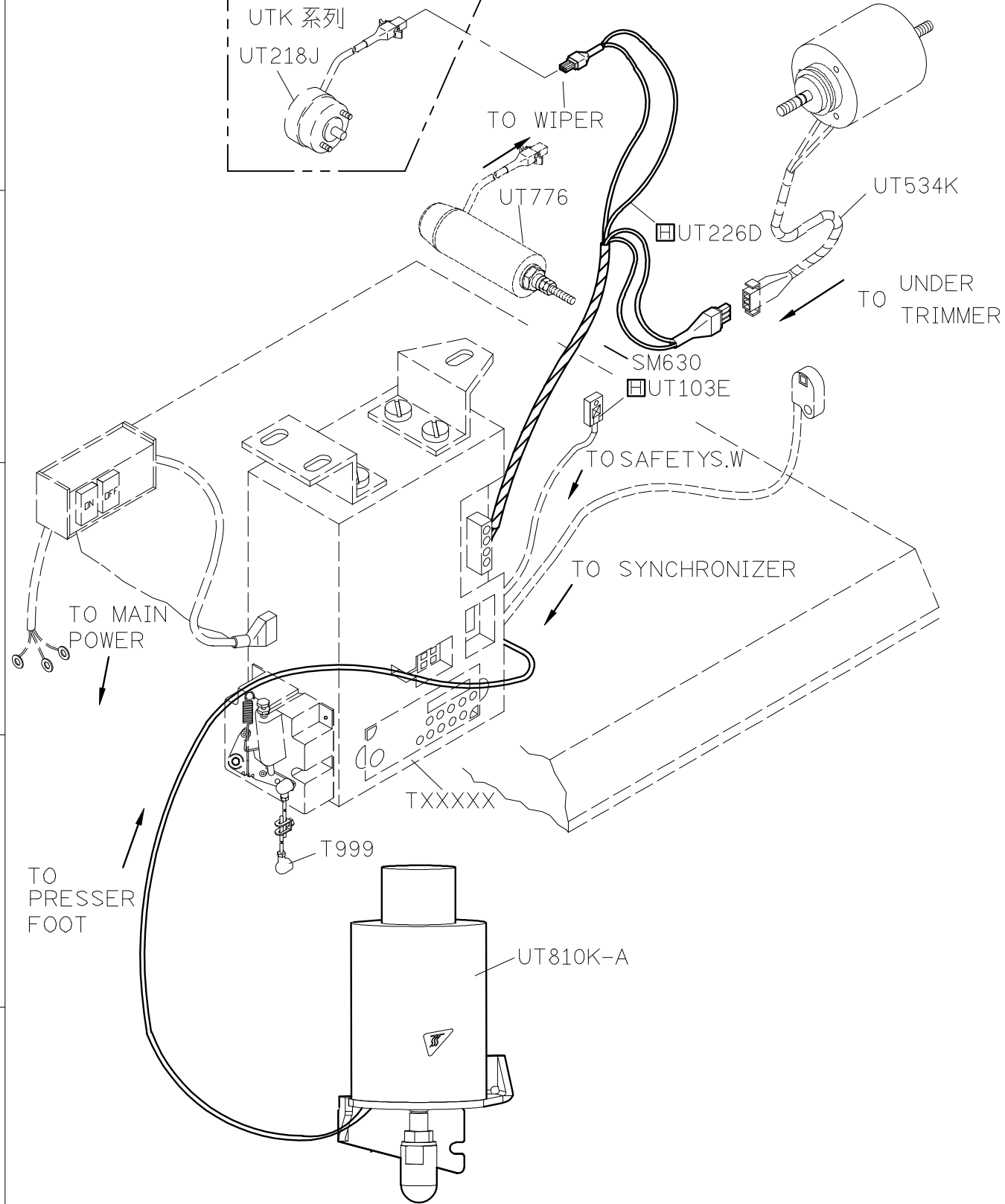
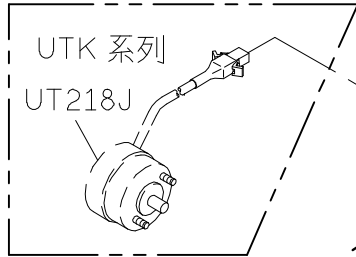
A

B

C

D

E



**SIRUBA**

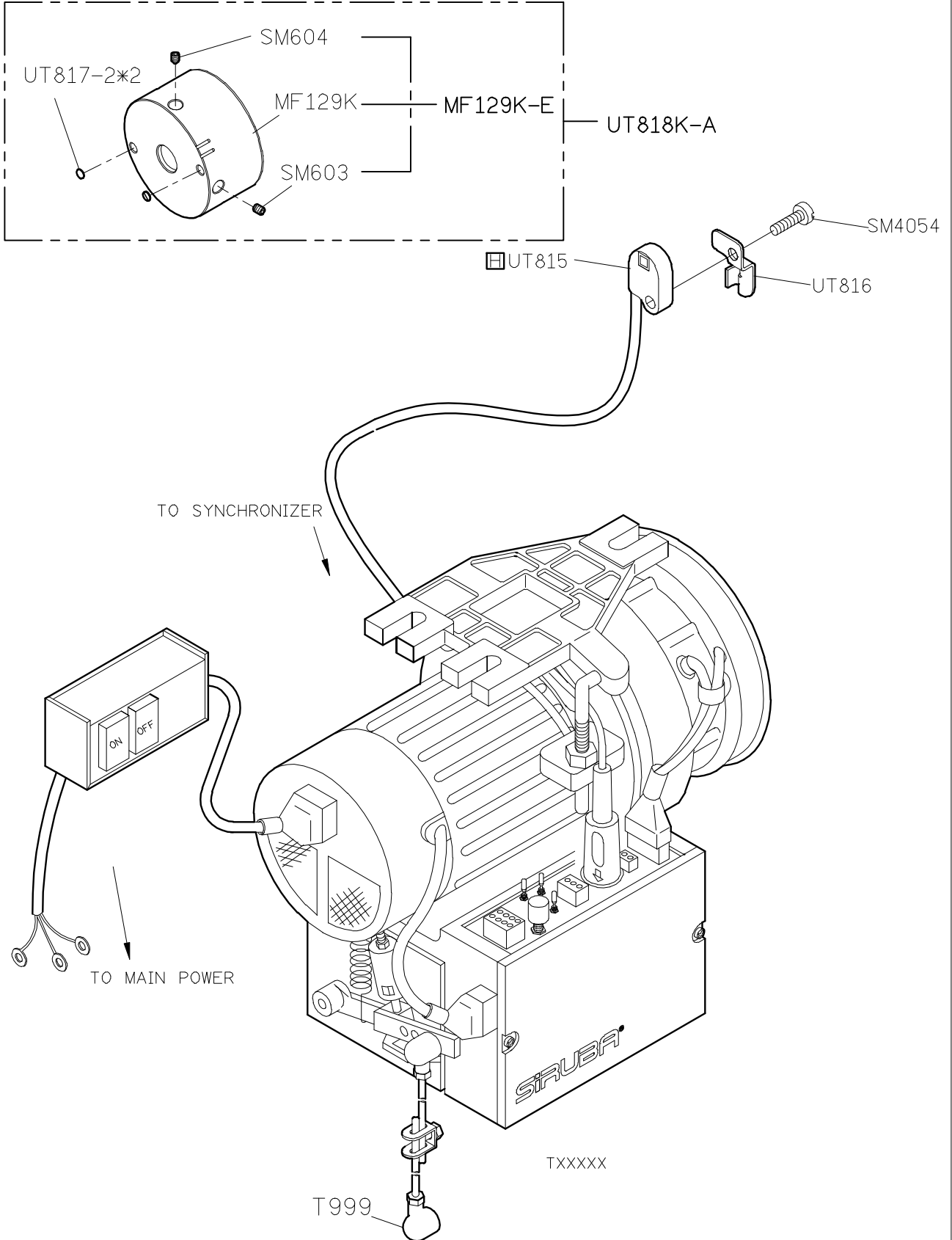
PARTS LIST

**F007K/F007KD**  
**F858K/F858KD**

Parts Group  
**UTJ(UTK)-K**

Subclass / Remark  
For **F007K/F858K**  
☐ : For H brand motor

Page  
**11/13**  
Date  
**2012/10/31**



**SIRUBA**

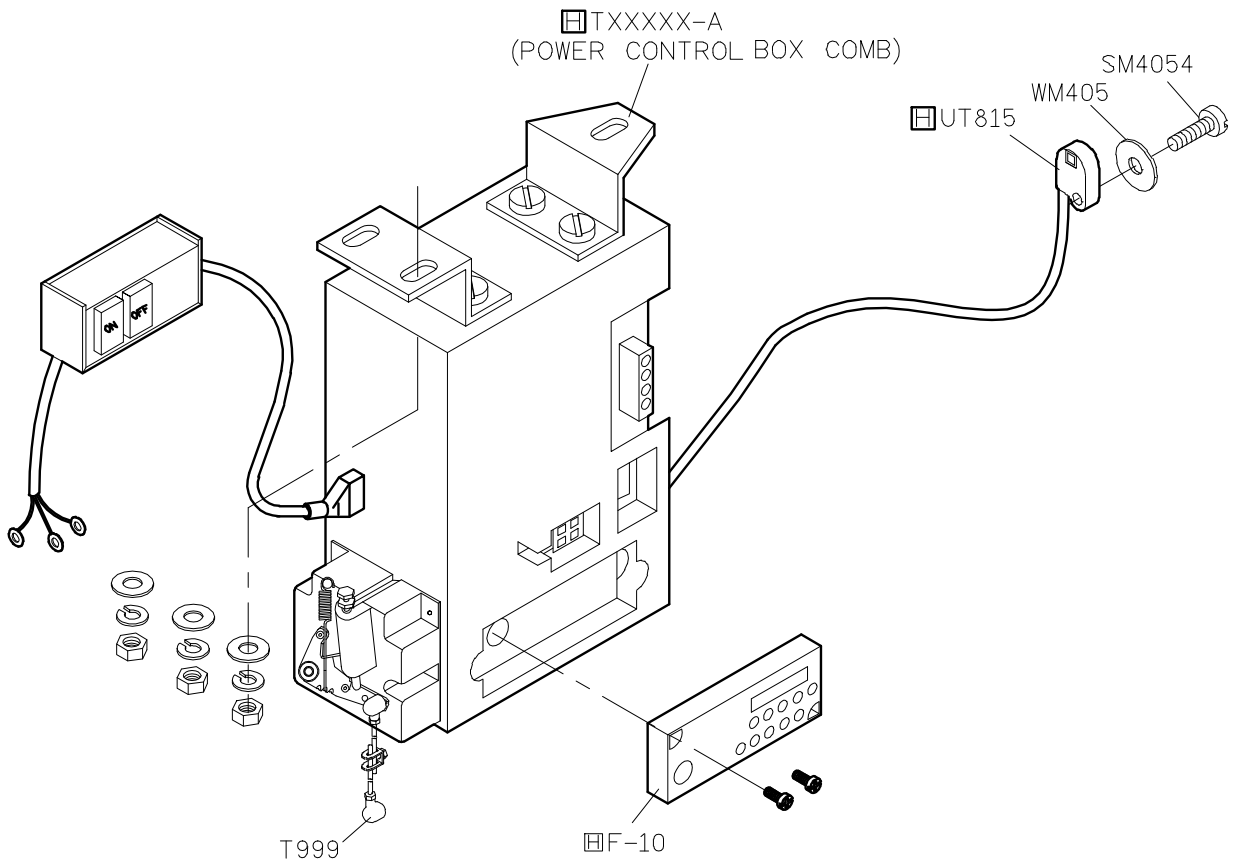
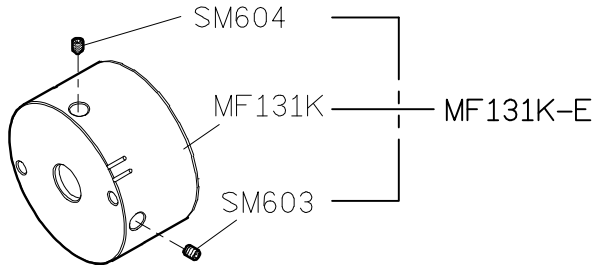
PARTS LIST

F007K/F007KD  
F858K/F858KD

Parts Group  
UTJ(UTK)-K

Subclass / Remark  
For F007KD/F858KD  
☐ For H brand motor(HVP-70)

Page  
12/13  
Date  
2012/10/31



1

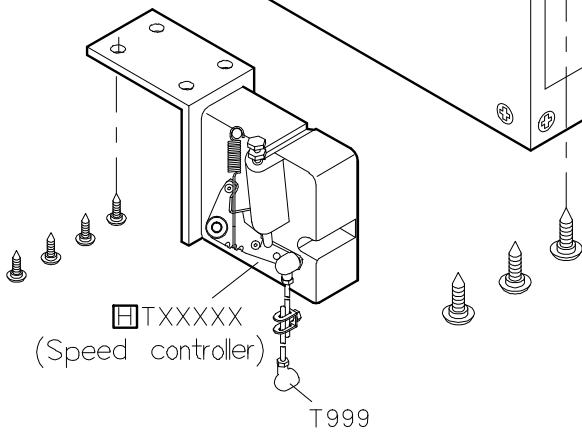
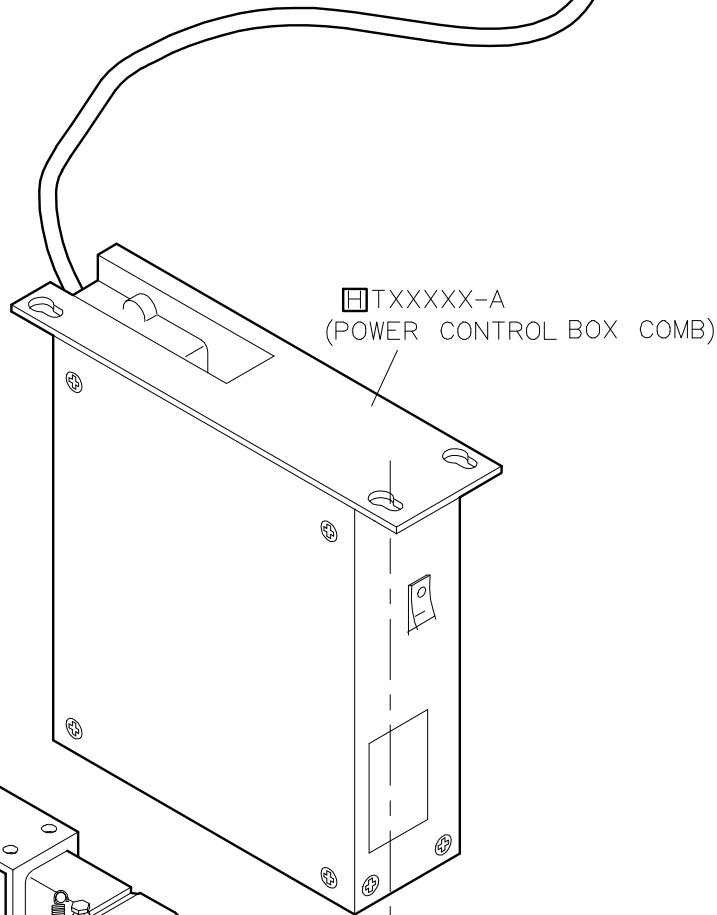
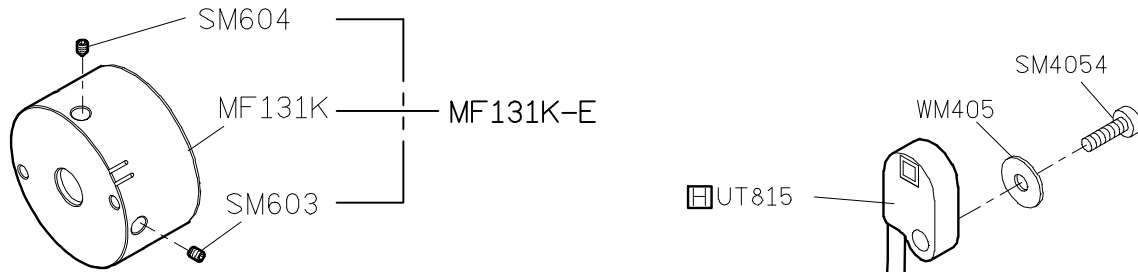
2

3

4

5

SIRUBA PARTS LIST	Series	Parts Group	Subclass / Remark	Page
	F007K/F007KD	UTJ(UTK)-K	For F007KD/F858KD	13/13
	F858K/F858KD		☐: For H brand motor(HVP-70)	Date
				2012/10/31



1

2

3

4

5