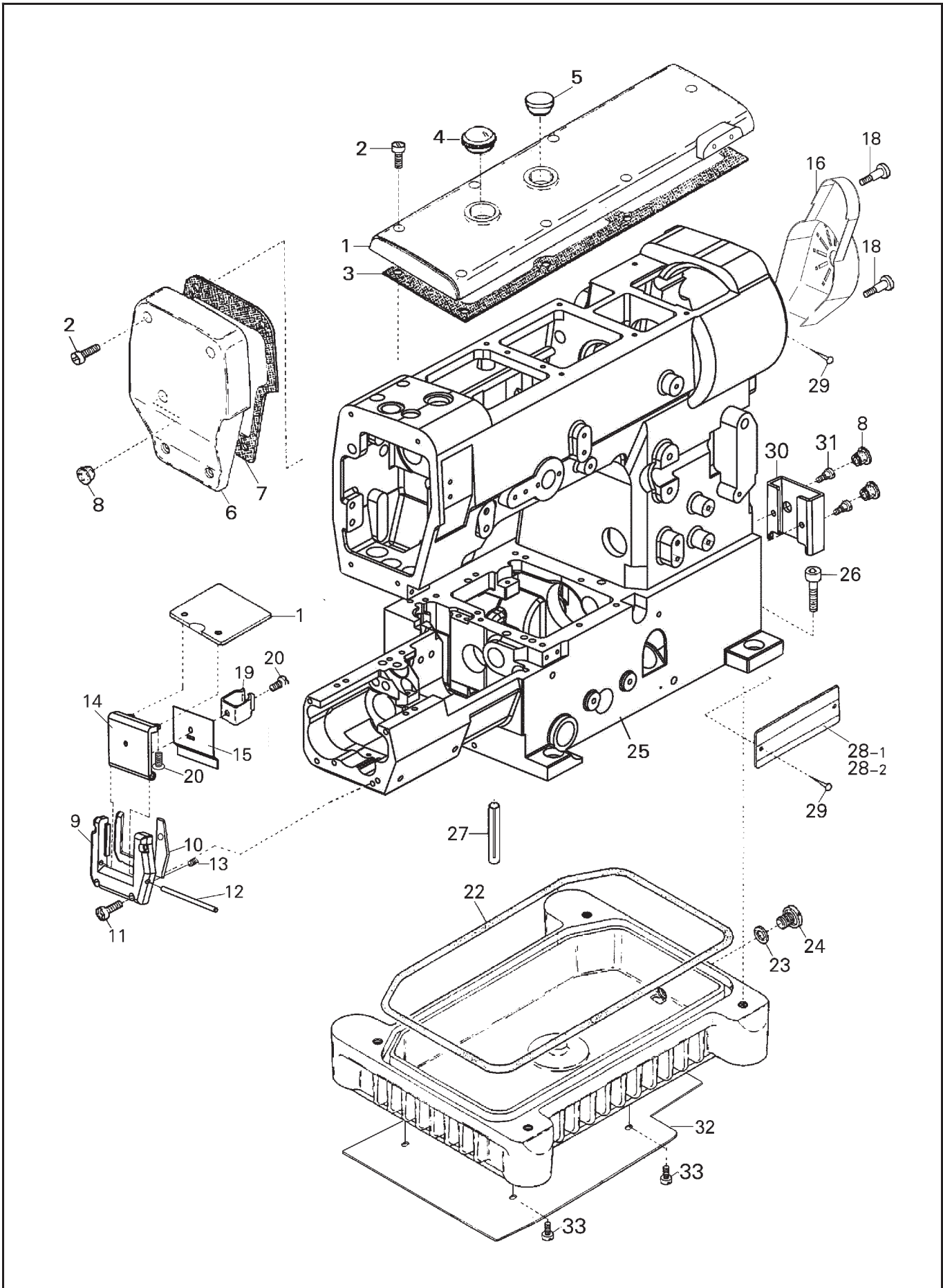


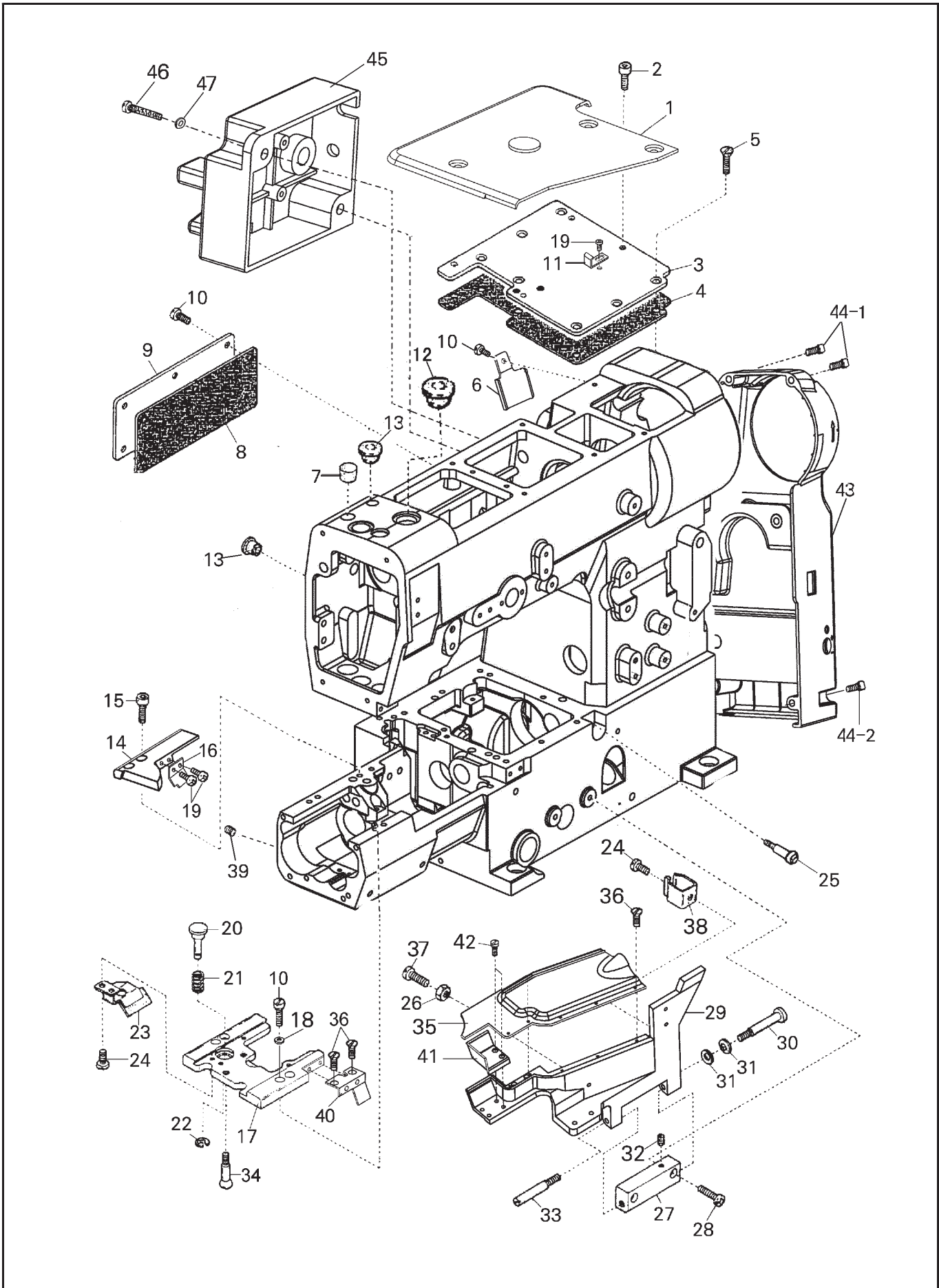
1. MISCELLANEOUS COVERS (1)



1. MISCELLANEOUS COVERS (1)

No.	Ref.No.	Description	Qt.
1	221100003--W	Top cover	1
2	B62401412	Screw (M4 × 14)	11
3	221100004	Top cover gasket	1
4	022180001--V	Oil sight window	1
5	182100038--V	Rubber cushion	1
6	221100001--W	Head cover	1
7	221100002	Head cover gasket	1
8	110100003--V	Rubber plug	1
9	222100002--W	Bed rear cover	1
10	222100007	Bed rear cover gasket	1
11	B62401012	Screw	4
12	222100004	Pin	1
13	B12400432	Screw (M4 × 14)	1
14	222100001--W	Side cover	1
15	222100003	Retaining plate	1
16	222100046	Belt cover	1
17	222100006	Cloth plate	1
18	S150220015	Screw M5 × 12	2
19	222100005	Cover latch spring	1
20	S150237002	Screw M4 × 5	3
21	182100008	Oil reservoir	1
22	182100009	Oil reservoir gasket	1
23	182100012	Oil reservoir gasket	1
24	182100013	Screw 3/8-24 × 8	1
25	1821a0000	Machine frame unite	1
26	S150220006	Screw M8 × 20	4
27	182100015	Machine frame supporting bar	4
28-1	198000020	Model plate	1
28-2	198000021	Model plate	1
29	BXF8899009	Rivet	3
30	182100054	Wind screen	1
31	S150237002	Screw M4 × 5	2
32	182100053	Wind guide plate	1
33	S120205001	Screw M3 × 6	5

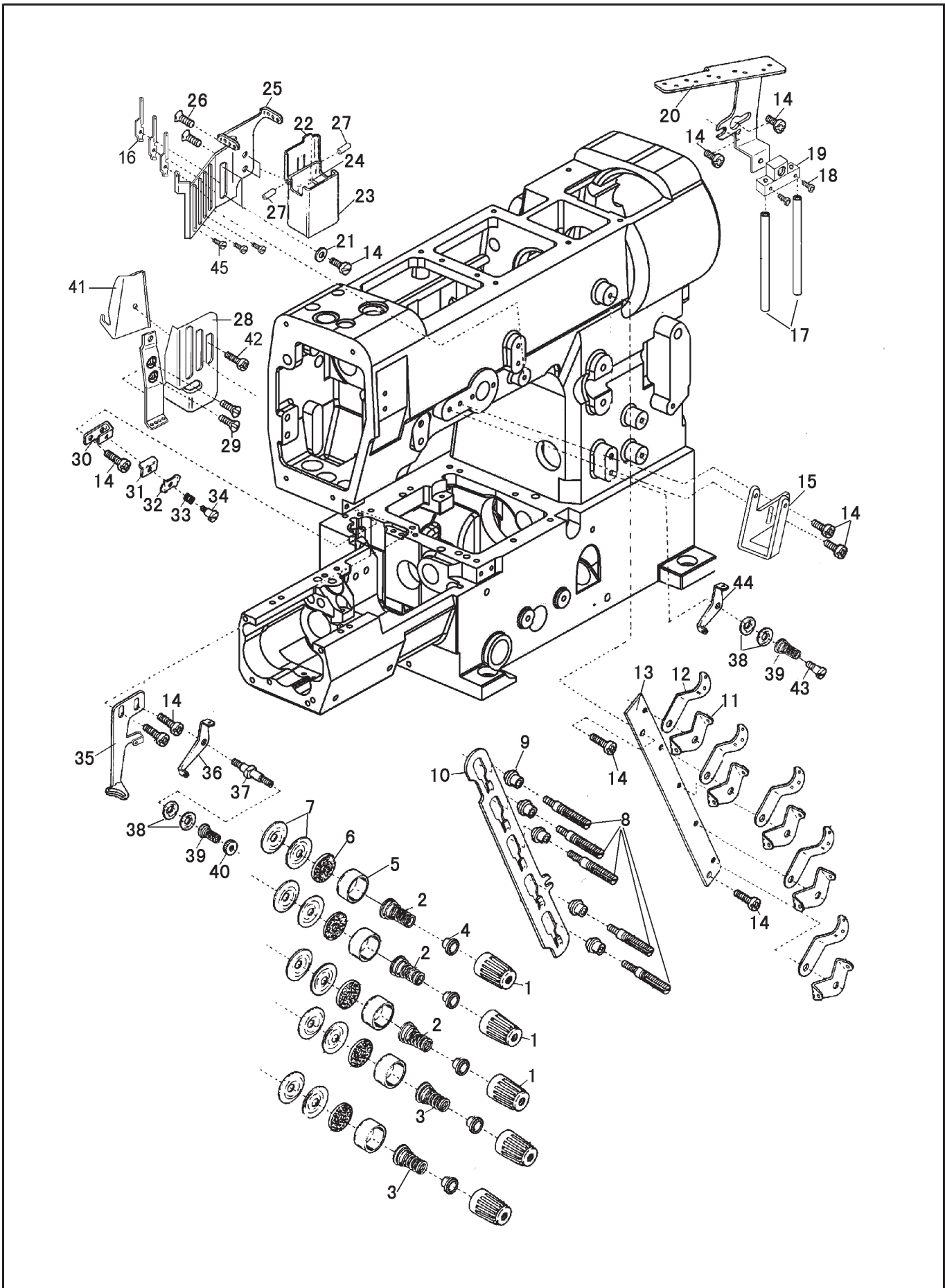
2. MISCELLANEOUS COVERS (2)



2. MISCELLANEOUS COVERS (2)

No.	Ref.No.	Description	Qt.
1	222160000--W	Cloth plate assy	1
2	S150220002	Screw M4-0.7 × 12	3
3	182100021	Crank chamber cover gasket	1
4	182100022	Gasket	1
5	S150238001	Screw M4-0.7 × 8 (GB819-85)	7
6	221100032	Seal plug	1
7	110100003--V	Seal plug	1
8	110100017	Gasket	1
9	110100016--W	Rear cover	1
10	B62400812	Screw M4-0.7 × 8	10
11	222100057	Retaining part	1
12	221100027--V	Seal plug	1
13	110100026-- V	Seal plug	2
14	222100019--W	Supplementary slide cover	1
15	S150220041	Screw	2
16	182100049	Retaining plate	1
17	182100030	Stitch plate support	1
18	182100045	Pin	2
19	S150237008	Screw M3 × 4	4
20	182100031	Feed regulating pushbutton	2
21	182100032	Spring	1
22	S4B1202008	Cover latch spring	1
23	182100034	Retaining plate	1
24	S150237002	Screw M4 × 5	3
25	222100038	Screw M4 × 8	1
26	S120501003	Nut M4 × 0.7	1
27	222100037--W	Front cover hinge	1
28	S150237022	Screw M4 × 25	1
29	222100045	Front cover	2
30	110150003	Screw	1
31	S150643001	Washer	2
32	S150224001	Screw M3 × 3	2
33	110150004	Screw	1
34	182100035	Screw	1
35	222100020	Front cover(upper)	1
36	S120205001	Screw M3 × 6	6
37	B62401012	Screw M4-0.7 × 10	1
38	182140005	Spring	1
39	B12060632	Screw M6 × 6	2
40	222191000	Stitch plate support cover	1
41	222100041	Dust cap	1
42	S150237002	Screw M4 × 5	2
43	221C10000	control system	1
44-1	S150220026	Screw	4
44-2	S150220113	Screw	2
45	222C11000	Speed governor assy	1
46	S150237018	Screw	2
47	S150667001	Washer	2

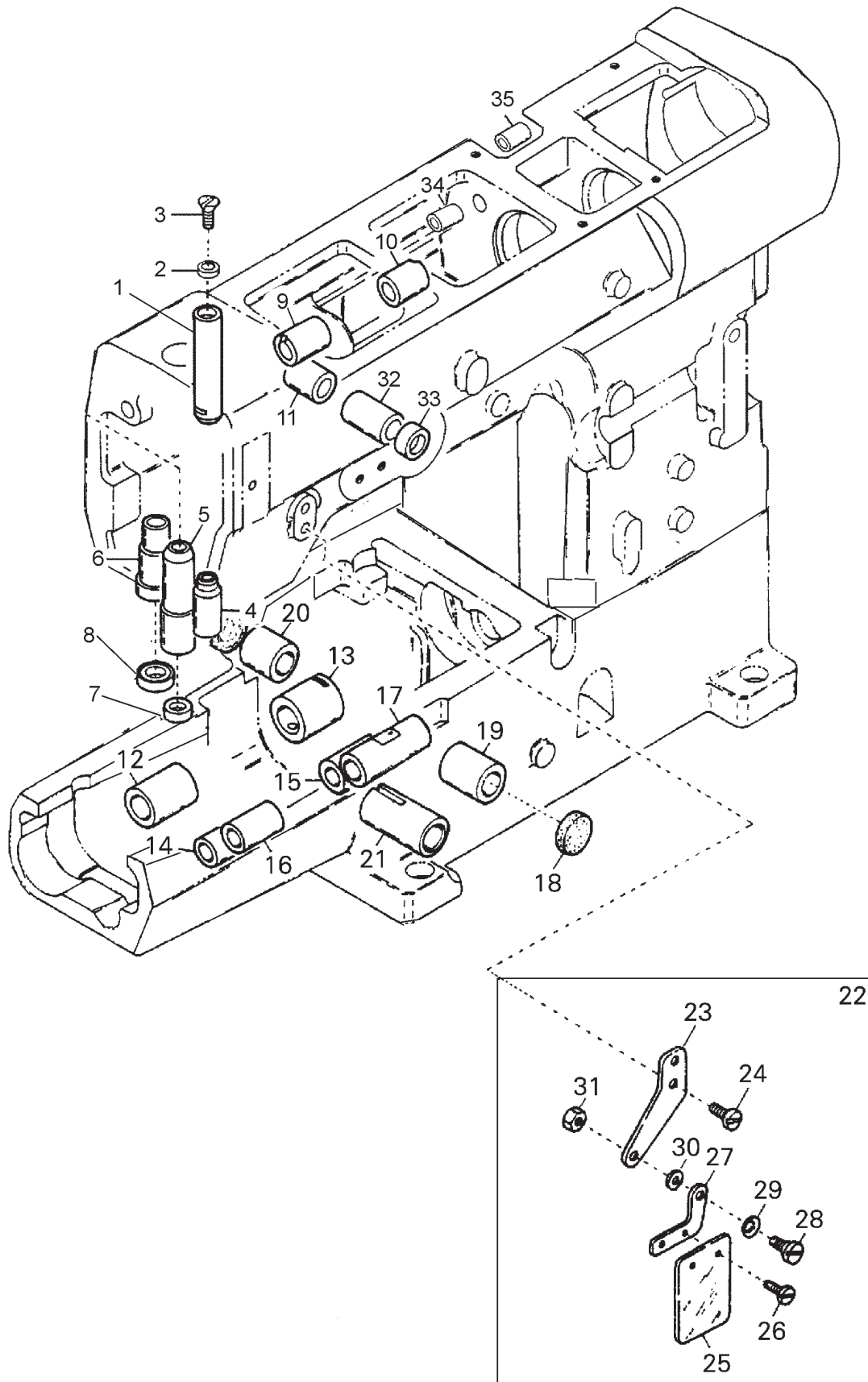
3. MISCELLANEOUS THREAD EYELETS



3. MISCELLANEOUS THREAD EYELETS

No.	Ref.No.	Description	Qt.
1	155A10009	Nut	5
2	155A10005	Needle thread tension spring	3
3	155A10004	Top cover thread spring	2
4	155A10007	Collar	5
5	1102h0005	Thread tension spring retainer	5
6	028283007	Felt	5
7	022160005	Tension disc	10
8	1102h0003	Screw	5
9	1102h0004	Tension post ferrule	5
10	1102h0002	Tension disc separator	1
11	116200016	Tension disc eyelet	5
12	116200015	Thread lead-in guide	5
13	1102h0001	Tension post support	1
14	B62400812	Screw (M4 × 8)	11
15	221100013	Top cover thread eyelet	1
16	221100014	Looper thread eyelet	3
17	116250003	Thread eyelet pipe	2
18	B12400432	Screw (M4X4)	2
19	221100006	Tension post support	1
20	221100005	Thread guide plate	1
21	008230003	washer	2
22	1102K0003	SP Container cover	1
23	1102K0001	SP Container	1
24	1102K0004	Felt	1
25	221100015	Needle thread eyelet	1
26	S150241001	Screw	2
27	S8A3104002	Pin (2 × 6)	2
28	221100012	Needle thread eyelet	1
29	S150218005	Screw (M4 × 6)	2
30	110260004	Needle thread retainer support	1
31	110260003	Thread retainer disc support	1
32	110260001	Needle thread retainer disc	1
33	110260005	Needle thread retainer spring	1
34	110260002	Screw	1
35	222170001	Top cover thread guide	1
36	221150002	Supplementary thread guide	1
37	116200018	Screw	2
38	008200068	Supplementary tension disc	1
39	008200067	Supplementary tension spring	1
40	008200088	Nut	1
41	221100010	Thread guide plate support	1
42	S150237002	Screw	1
43	221290002	Screw	1
44	221290001	Looper thread eyelet	2
45	S150237020	Screw	3

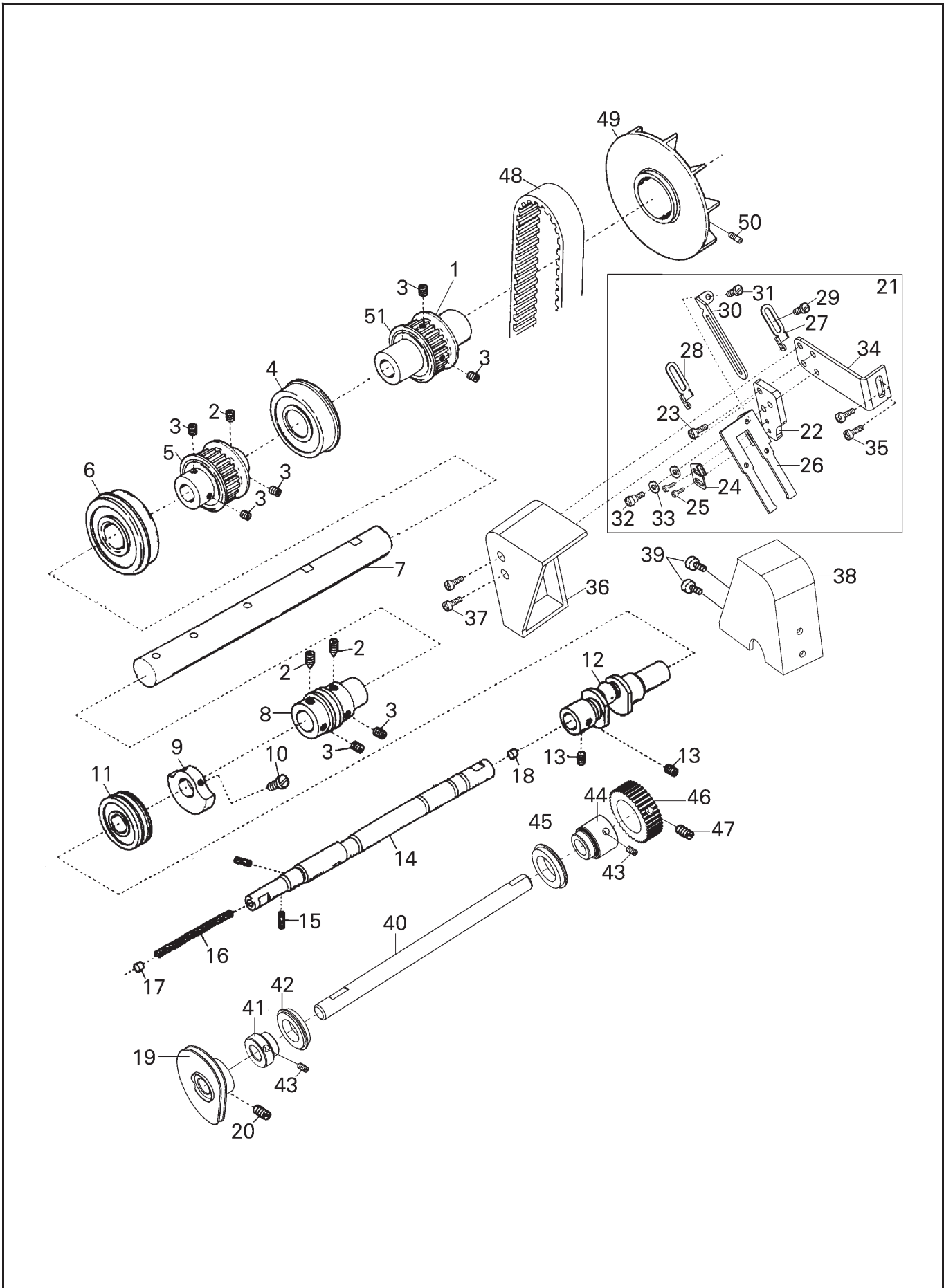
4. MISCELLANEOUS BUSHINGS&EYE GUARD



4. MISCELLANEOUS BUSHINGS&EYE GUARD

No.	Ref.No.	Description	Qt.
1	221200001	Needle bar bushing(upper)	1
2	S150656013	O –ring	1
3	221200008	Screw	1
4	222100052	Needle bar bushing(lower)	1
5	110600007	Presser bar bushing	1
6	110200018	Spreader driving shaft bushing	1
7	110600005	Oil seal	1
8	008600015	Oil seal	1
9	110200016	Spreader driving shaft bushing (left)	1
10	110200016	Spreader driving shaft bushing (right)	1
11	110200007	Needle thread take–up bushing(rear)	1
12	182300013	Bush (right) Bush (left)	1
13	182300014	Bush (right)	1
14	182300015	Bush (right)	1
15	182300016	Bush (right)	1
16	182300017	Bush (right)	1
17	182300018	Bush (right)	1
18	182100037--V	Seal plug	2
19	182300019	Bush (front)	1
20	182300020	Bush (back)	1
21	182300021	Adjusting screw bushing	1
22	110140000	Eye guard support	1
23	110140001	Eye guard holder	1
24	S150215002	Screw M6–1X10	1
25	116120001	Eye guard	1
26	S120203013	Screw M3–0.5X4	2
27	110140002	Eye guard support	1
28	110100019	Screw 11/64–40X9.7	1
29	S150643002	Washer	1
30	008230003	Washer	1
31	S120501003	Nut M4	1
32	110200008	Bush (front)	1
33	110280000	Oil seal	1
34	221100019	Lifter shaft bushing (left)	1
35	221100020	Lifter shaft bushing (right)	1

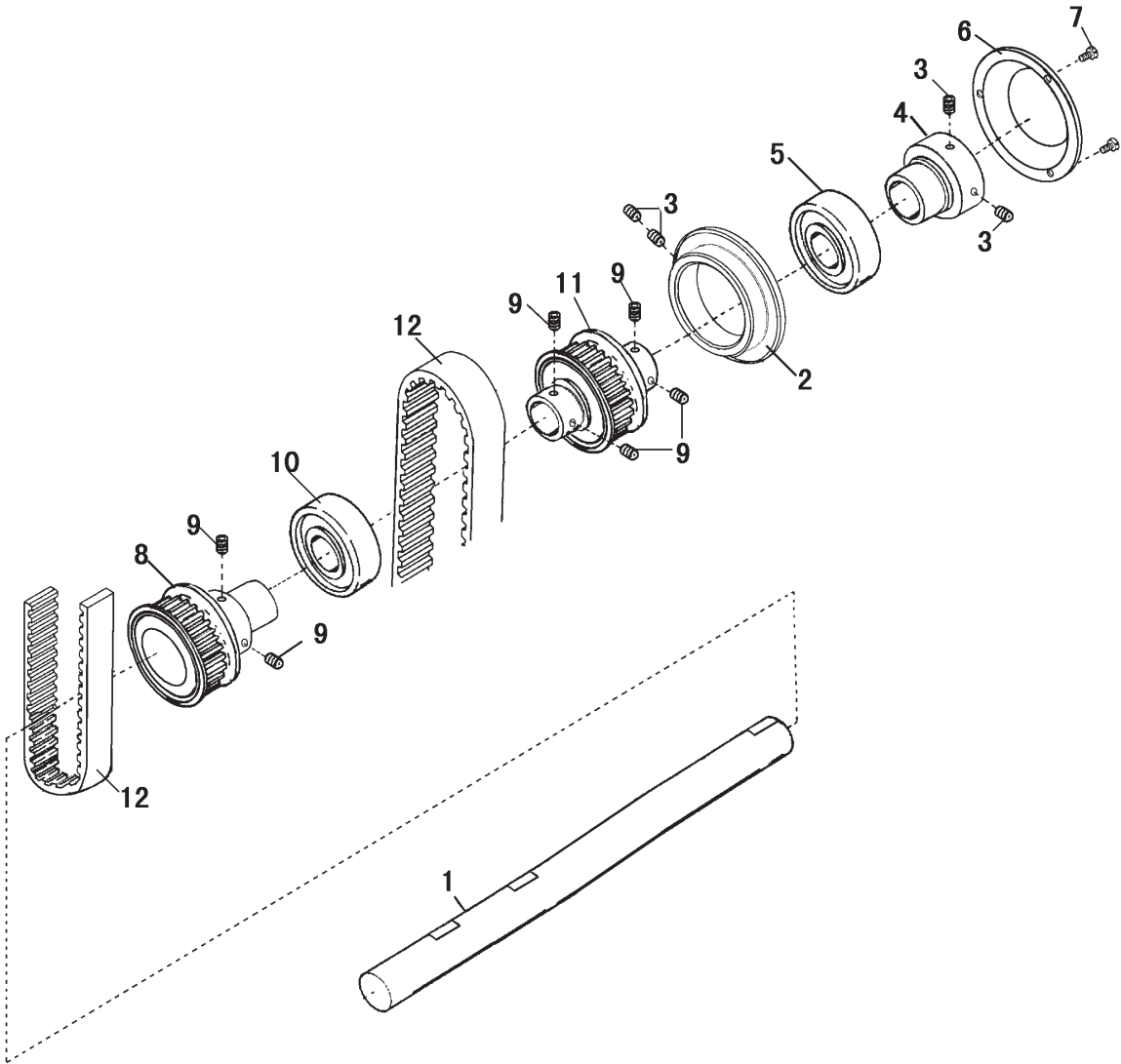
5. MAIN SHAFT DRIVING MECHANISM



5. MAIN SHAFT DRIVING MECHANISM

No.	Ref.No.	Description	Qt.
1	221240002	Retaining ring	1
2	S150225001	Screw M6-1 x 8	3
3	B12060632	Screw M6-1 x 6	12
4	S150866007	Bearing (right)	1
5	110520000	Main shaft sprocket	1
6	S150866006	Bearing (middle)	1
7	222100018	Lower shaft	1
8	182400004	Oil pump driving worm	1
9	110200022	Counter weight	1
10	B62400812	Screw M4-0.7 x 8	2
11	S150866013	Bearing (left)	1
12	182400006	Lower crank shaft	1
13	B12060632	Screw M6 x 6	2
14	182440001	Lower shaft(left)	1
15	182400010	Wick	2
16	182400011	Wick	1
17	182440002	Seal plug	1
18	182440003	Seal plug	1
19	222120000	Looper thread take-up	1
20	B12500532	Screw	2
21	222130000	Looper thread supporting	1
22	222130005	Hold down	1
23	B62400812	Screw M4X8	2
24	222130002	Snap fastener	1
25	S150237008	Screw M3X4 ZH	2
26	222130003	Supporting plate	1
27	221250002	Thread guide plate (lift)	1
28	221250001	Thread guide plate (right)	1
29	S150237008	Screw M3X4 ZH	2
30	222100049	Thread guide plate	1
31	S150237008	Screw M3X4 ZH	1
32	221250005	Screw	1
33	S150643001	Washer 5	2
34	222130004	Linked plank	1
35	B62401012	Screw M4X10	2
36	222100044	Cover (back)	1
37	S150220020	Screw M4X6	2
38	222100043	Cover(front)	1
39	S150218005	Screw M4X6	2
40	222180010	Guide shaft	1
41	222140002	Ball bearing holder(left)	1
42	S150866059	Bearing 61802-2ZNR	1
43	B12400432	Screw M4X4	4
44	222180002	Ball bearing holder(right)	1
45	S150866060	Bearing 61803-2ZNR	1
46	222100042	Timing belt pulley (front)	1
47	S150224008	Screw M5X5	2
48	222180016	Timing belt	1
49	110500001	Wind turbine cooling	1
50	S150237008	Screw M3X4	1
51	221240001	Timing belt pulley assy	1

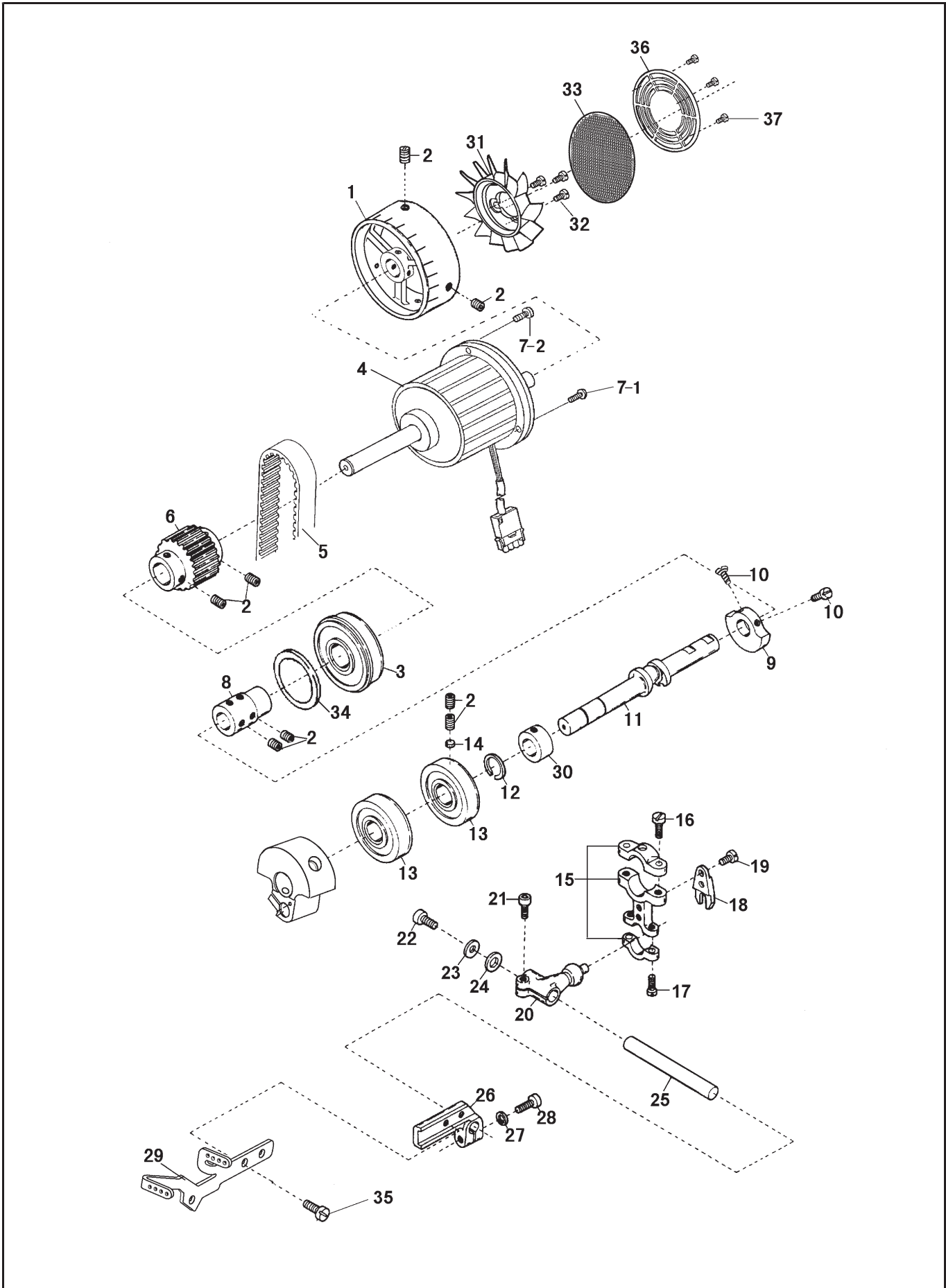
6. MIDDLE SHAFT DRIVING MECHANISM



6. MIDDLE SHAFT DRIVING MECHANISM

No.	Ref.No.	Description	Qt.
1	221200015	Crankshaft (middle)	1
2	221200016	Ball bearing bushing (right)	1
3	B12500532	Screw M5×5	4
4	221200017	Ball bearing bracket (right)	1
5	S150866061	Ball bearing (right)	1
6	221200018	Ball bearing cover (right)	1
7	S150237020	Screw (M3×6)	3
8	221220000	Timing belt Pulley assy (left)	1
9	B12060632	Screw(M6×6)	6
10	S150866006	Ball bearing	1
11	221230000	Timing belt Pulley assy (right)	1
12	221200019	Timing belt	1

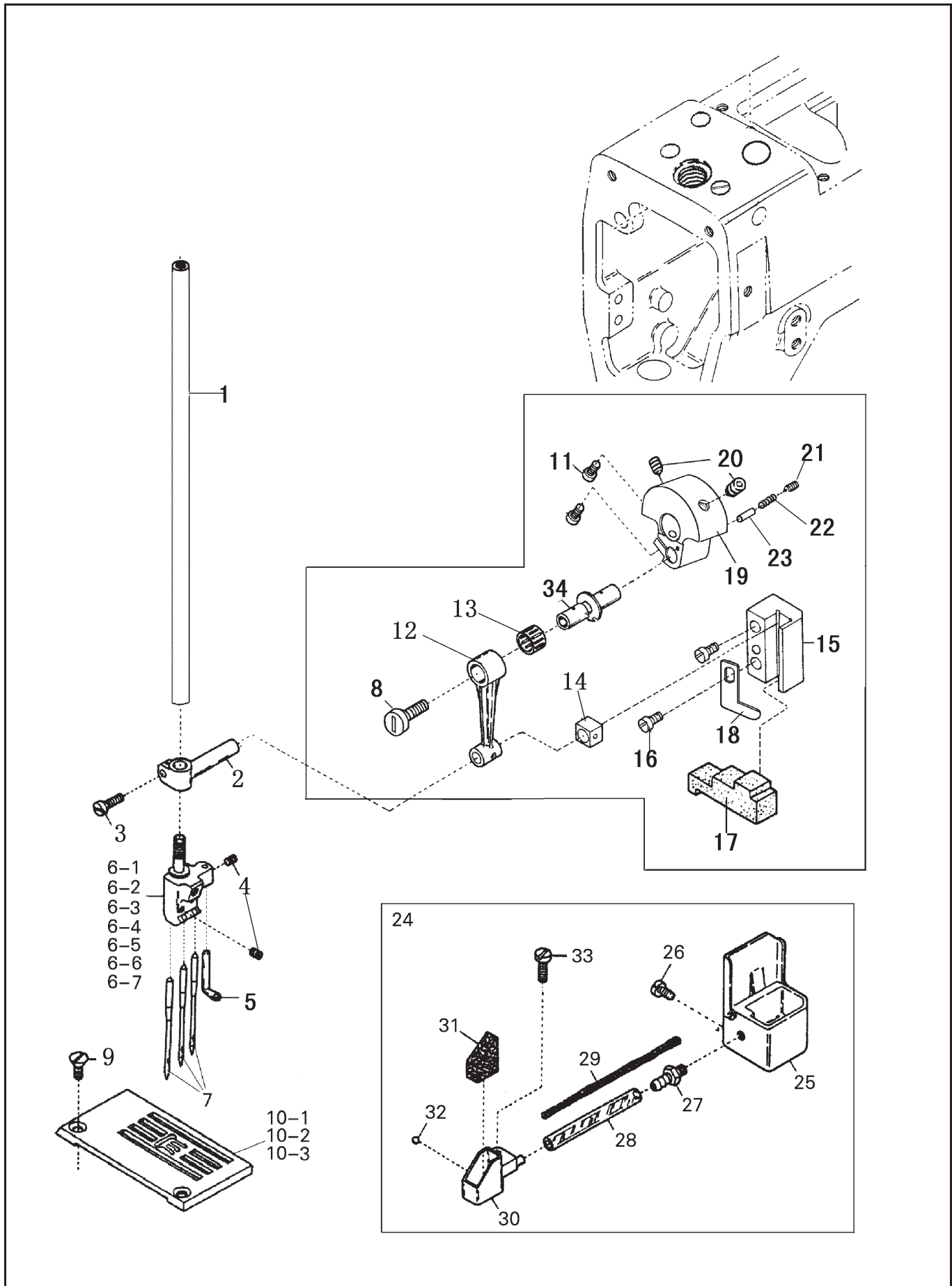
7. UPPER SHAFT & NEEDLE THREAD TAKE-UP MECHANISM



7. UPPER SHAFT & NEEDLE THREAD TAKE-UP MECHANISM

No.	Ref.No.	Description	Qt.
1	222100021	Handwheel	1
2	B12060632	Screw(M6×6)	13
3	S150866006	Ball bearing (6204ZZNR)	1
4	221C13000	Motor	1
5	221200019	Timing belt	1
6	221200020	Timing belt Pulley	1
7-1	S150220018	Screw	3
7-2	S150220031	Screw	1
8	1102d0001	Upper shaft joint	1
9	110200022	Counterweight(small)	1
10	B62400812	Screw(M4×8)	2
11	110G30001	Upper crank shaft	1
12	S4A0500010	Retaining ring	1
13	052200036	Ball bearing (6202)	2
14	110200024	Rubber seat	1
15	110G30000	Counecting rod	2
16	S150220009	Screw(M4×14)	2
17	110550005	Screw (M3.5 × 13)	2
18	110270002	Guide fork	1
19	B62300812	Screw(M3×8)	2
20	110270003	Driving lever	1
21	B18061632	Screw(M6×16)	1
22	S150220007	Screw(M5×10)	1
23	110200005	Washer	1
24	110200006	Spacer	1
25	221100009	Driving shaft	1
26	110290001	Bracket	1
27	S8A3103012	Spring washer 5	1
28	S150220004	Screw(M5×14)	1
29	221100011	Needle thread take-up	1
30	110G00006	Oil sleeve	1
31	BX72397900	Impeller	1
32	S150237002	Screw (M4X5)	3
33	221100033	Handwheel dustproof net	1
34	110G00009	Spacer	1
35	B62400812	Screw(M4x8)	2
36	221100031	Shield cover	1
37	S150218006	Screw(M3x6)	3

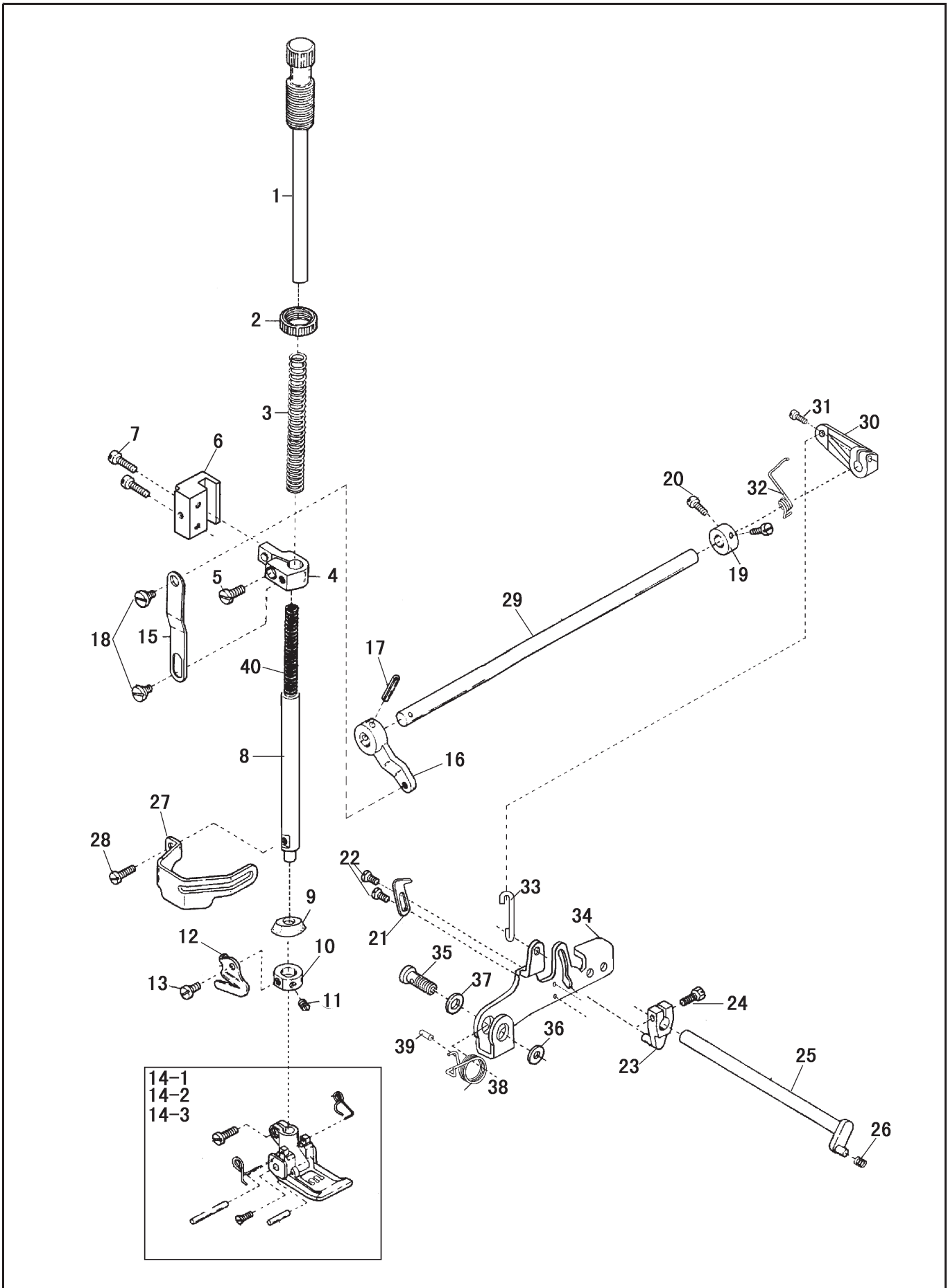
8. NEEDLE BAR MECHANISM



8. NEEDLE BAR MECHANISM

No.	Ref.No.	Description	Qt.
1	222100022	Needle bar	1
2	110220005	Needle bar bracket	1
3	022100006	Screw(SM 11/64" × 40)	1
4	182610010	Screw(1/8" × 44)	4
5	182600009	Top cover thread eyelet	1
6-1	182610001	Needle clamp(232)	1
6-2	182610002	Needle clamp(240)	1
6-3	182610003	Needle clamp(248)	1
6-4	182610004	Needle clamp(256)	1
6-5	182610005	Needle clamp(348)	1
6-6	182610006	Needle clamp(356)	1
6-7	182610007	Needle clamp(364)	1
7	S150901001	Needle[UY128(12)]	2 (3)
8	221200007	Screw	1
9	110400023	Screw	2
10-1	110400038	Stitch plate(4.8)	1
10-2	110400039	Stitch plate(5.6)	1
10-3	110G00003	Stitch plate(6.4)	1
11	S150220007	Screw(M5 × 10)	2
12	221200030	Connecting rod	1
13	S150866005	Roller bearing(K8 × 11 × 13)	1
14	110220006	Slide block	1
15	110230001	Needle bar guide	1
16	B62401612	Screw(M4 × 16)	2
17	110200032	Sponge	1
18	110200033	Fixing plate	1
19	221200009	Counterweight	1
20	S150224002	Screw(M8 × 6)	2
21	B12400432	Screw(M4 × 4)	1
22	221200011	Spring	1
23	221200010	Crank for guide pin	1
24	182630000	HR Cup	1
25	182631000	HR Device,complete set	1
26	B62400812	Screw	2
27	182630001	Pipe joint	1
28	182630002	Oil tube	1
29	182630003	Wick	1
30	182630004	HR cup	1
31	182630005	Felt	1
32	0527300101	Seal plug	1
33	S150237002	Screw M4×8	1
34	221200006	Crank pin for Needle bar	1

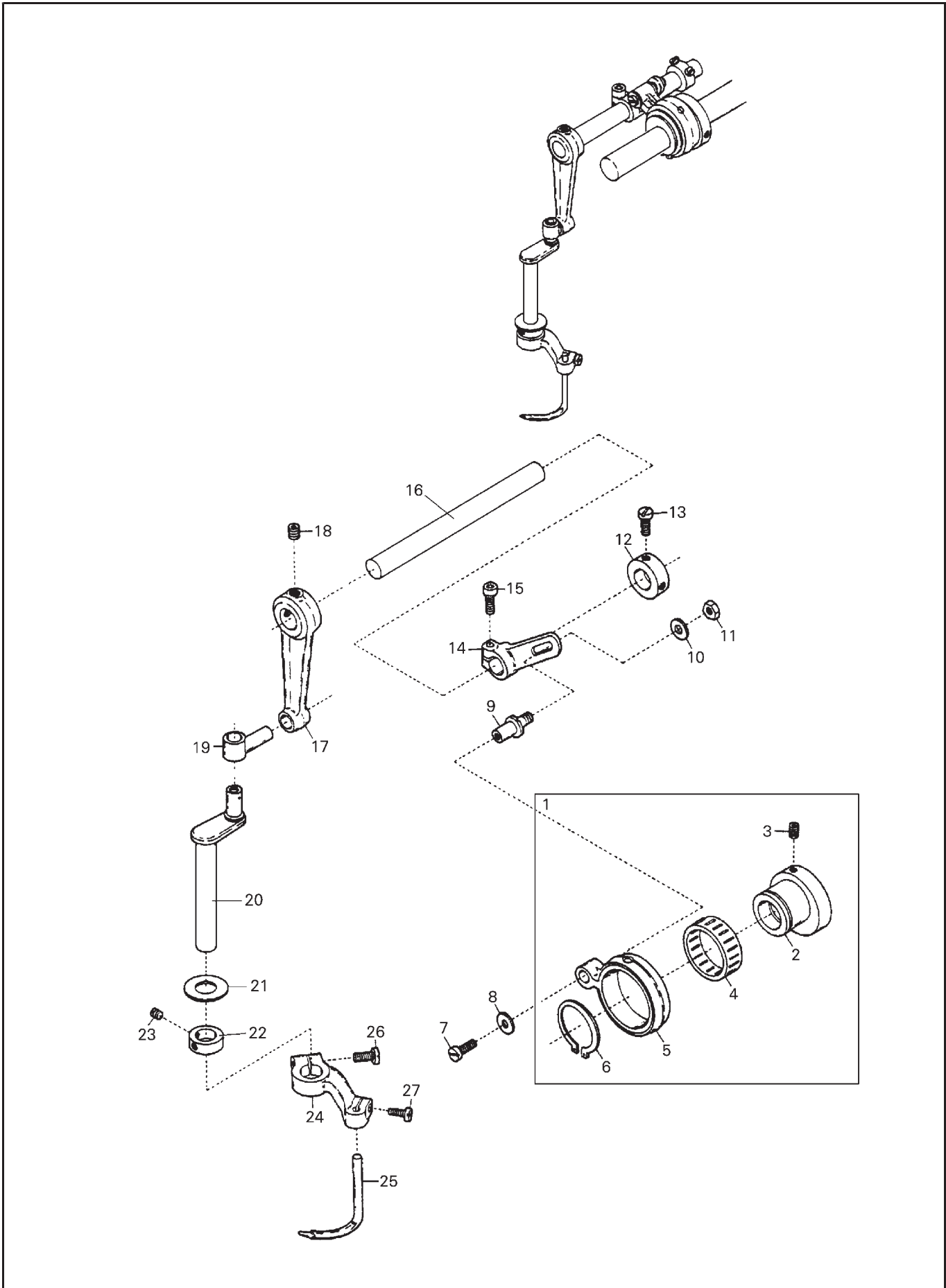
9. PRESSER FOOT MECHANISM



9. PRESSER FOOT MECHANISM

No.	Ref.No.	Description	Qt.
1	110610001	Presser spring regulator	1
2	110610002	Lock nut	1
3	221100034	Presser bar spring	1
4	110620000	Presser bar connecting bracket unit	1
5	S150237004	Screw(M4×12)	1
6	110600004	Presser bar guide	1
7	B62401612	Screw(M4×16)	2
8	182700005	Presser bar	1
9	043600005	Oil protector ring	2
10	110600006	Collar	1
11	B12400432	Screw(M4×4)	2
12	110600013	Thread chain cutting knife	1
13	S150239001	Screw(M3×4)	1
14-1	110691000	Presser foot,complete set(5.6)	1
14-2	110693000	Presser foot,complete set(4.8)	1
14-3	110692000	Presser foot,complete set(6.4)	1
15	110630004	Lifter link	1
16	110630002	Intermediate lever	1
17	S150446009	Fastener pin 4 × 16	1
18	110630003	Screw	2
19	110640001	Collar	1
20	S150237002	Screw(M4×5)	2
21	110680001	Lifter lever stop	1
22	S150237002	Screw(M4×5)	2
23	110671000	Tension release lever	1
24	S120104019	Screw(M4×12)	1
25	221100026	Tension release shaft	1
26	110200034	Swing-proof spring	1
27	110600012	Finger guard	1
28	B62400812	Screw(M4×8)	1
29	221120001	Lifter shaft	1
30	221100017	Bracket	1
31	S1F0220036	Screw(M6x8)	1
32	221100018	Spring	1
33	221100021	Hook	1
34	221100022	Level	1
35	221100023	Screw	1
36	221100024	Washer	1
37	197110002	Washer	1
38	221100025	Spring	1
39	S150446019	Fastener pin(5 × 20)	1
40	182700009	Presser bar spring	1

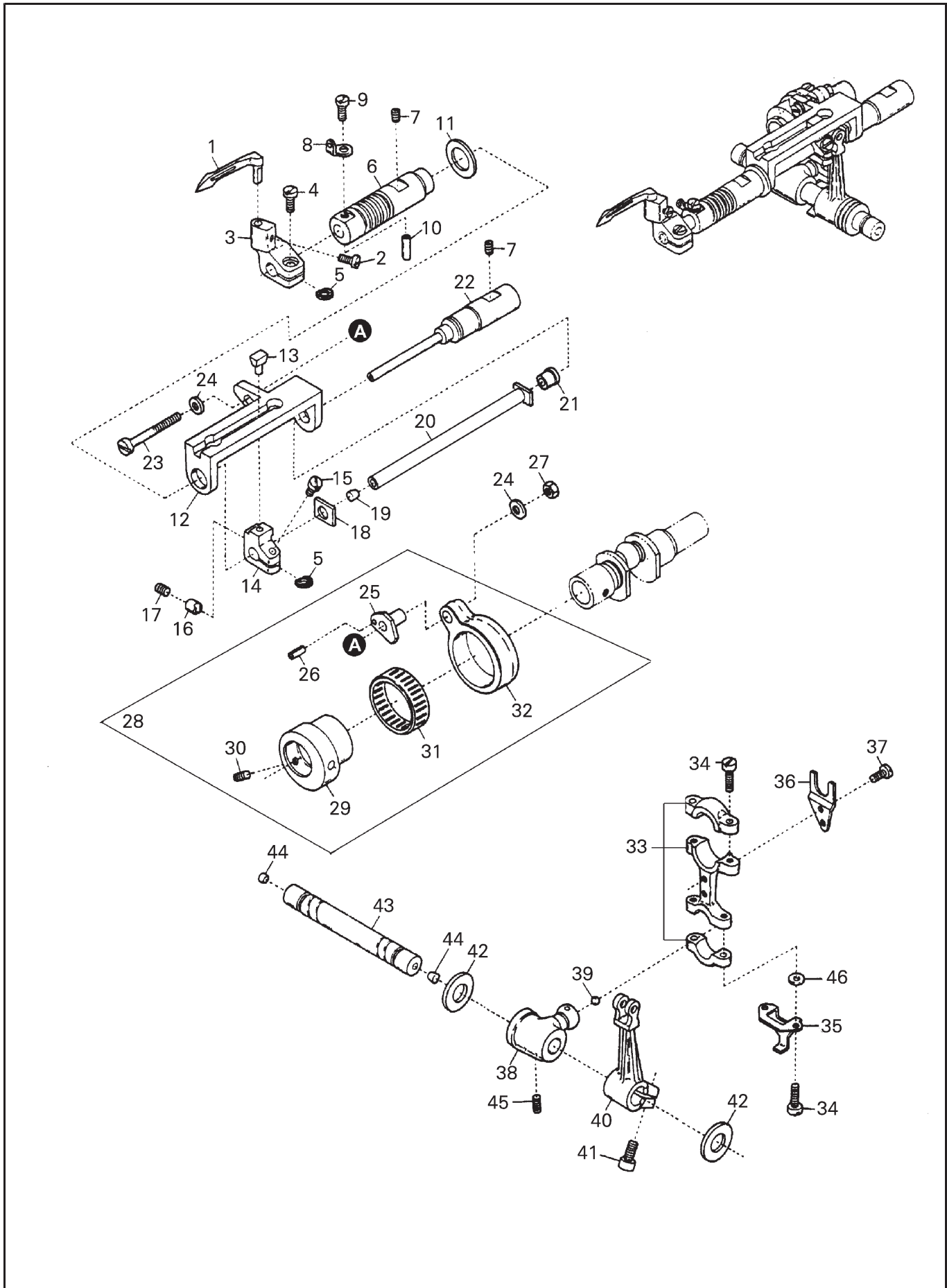
10. SPREADER MECHANISM



10. SPREADER MECHANISM

No.	Ref.No.	Description	Qt.
1	1102a0000	Connecting rod complete set	1
2	1102a0001	Eccentric	1
3	B12500532	Screw(M5×5)	2
4	S150866002	Roller bearing (K22×26×13)	1
5	1102a0002	Connecting rod	1
6	S150649001	Retaining ring	1
7	B62400812	Screw(M4×8)	1
8	1102a0004	Washer	1
9	1102a0003	Adjusting lever pin	1
10	1102a0006	Washer	1
11	S120501011	Nut M6	1
12	028200026	Collar	1
13	028100068	Screw(SM7/32"×32)	2
14	1102a0005	Adjusting lever	1
15	B18061632	Screw(M6×16)	1
16	110200010	Driving shaft	1
17	1102b0001	Rocking arm	1
18	B12060632	Screw(M6×6)	2
19	1102b0002	Rocking pin	1
20	110200011	Spreader bar	1
21	110200012	Bushing ring	1
22	110400006	Collar	1
23	B12400432	Screw(M4×4)	2
24	110200013	Spreader holder	1
25	110200014	Spreader	1
26	B62401612	Screw(M4×16)	1
27	S150237004	Screw(M4×12)	1

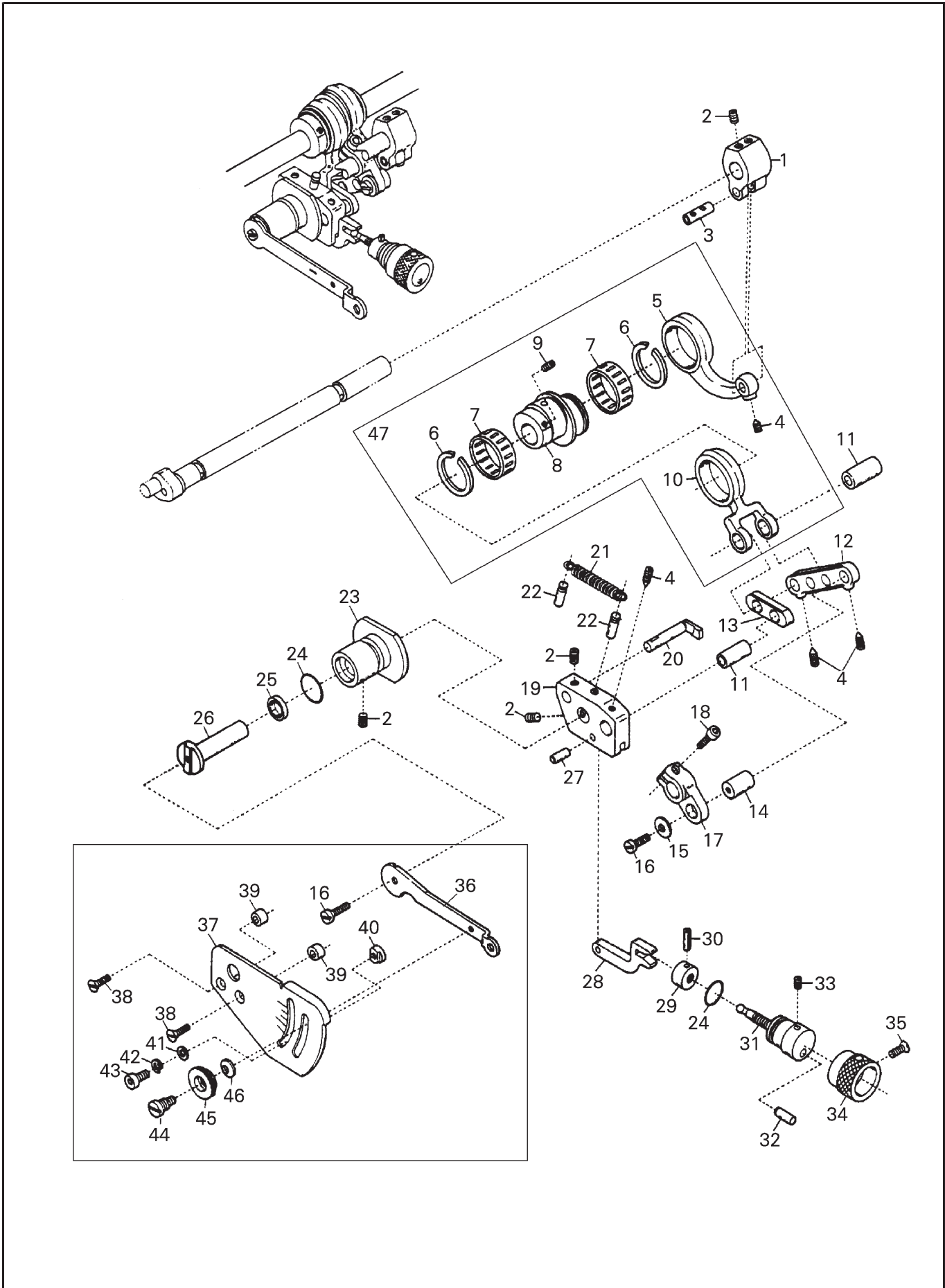
11. LOOPER DRIVING MECHANISM



11. LOOPER DRIVING MECHANISM

No.	Ref.No.	Description	Qt.
1	182900001	Looper	1
2	182900006	Screw M3×6	1
3	182900002	Looper holder	1
4	S150220041	Screw M4×10	1
5	182900003	Washer (red)	2
6	182900004	Looper bar bushing	1
7	B12060632	Screw M6×6	2
8	182900005	Looper thread eyelet	1
9	S150237008	Screw M3×4	1
10	S150446004	Pin	1
11	182900007	Washer	1
12	182900008	Looper bar guide	1
13	182900009	Slider	1
14	182900010	Slider holder	1
15	S150220002	Screw M4-0.7×12	1
16	182900011	Slider presser	1
17	B12400432	Screw M4-0.7×4	1
18	182900012	Washer	1
19	182910001	Seal plug	1
20	182910002	Looper bar	1
21	182910003	Guide shaft bushing	1
22	182900013	Looper bar guide shaft	1
23	S150237002	Screw M5×3	1
24	0084A0001	Washer	2
25	182920001	Looper rocker adjusting rod	1
26	S150446003	Roll pin	1
27	S120501005	Nut M5	1
28	182930000	Looper rocker connecting rod	1
29	182930001	Looper rocker regulating disc	1
30	B12500532	Screw M5-0.8×5	1
31	S150866004	Bearing	1
32	182930002	Looper rocker connecting rod	1
33	182940001	Looper connecting rod	1
34	B62401412	Screw M4-0.7×14	4
35	182940003	Oil splasher	1
36	182940002	Guide fork	1
37	B62400812	Screw M4×8	2
38	182941001	Looper driving lever	1
39	182941002	Seal plug	1
40	182900016	Looper rocker arm	1
41	S150220005	Screw M6×16	1
42	S150866008	Bearing 12×26×8	2
43	182950001	Looper shaft	1
44	182950002	Seal plug	2
45	S150220042	Screw M6×10	2
46	S8A3103008	Washer	2

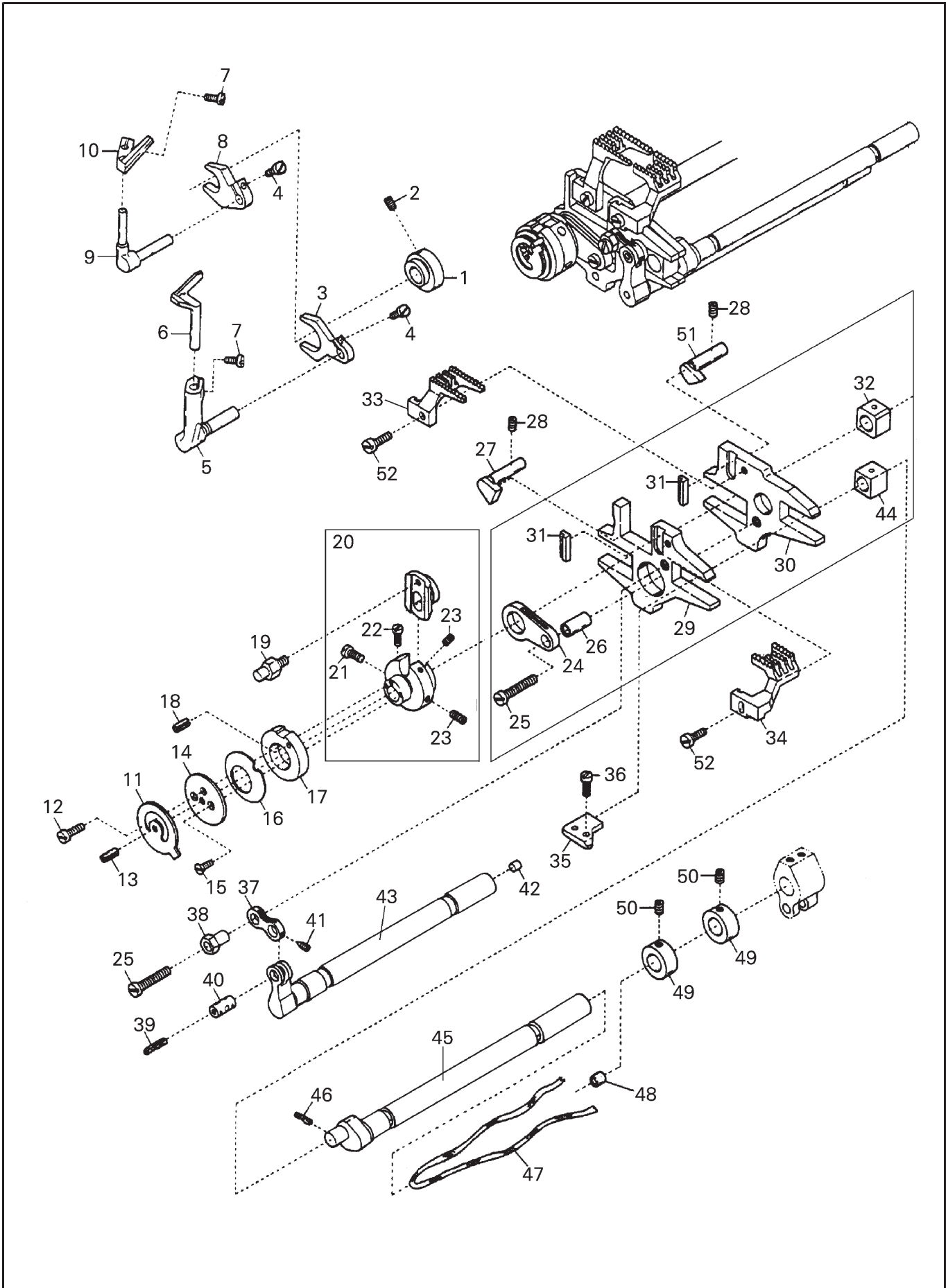
12. FEED DRIVING MECHANISM



12. FEED DRIVING MECHANISM

No.	Ref.No.	Description	Qt.
1	182A00001	Feed lift lever	1
2	B12060632	Screw M6-1 × 6	5
3	182A00002	Connecting rod pin	1
4	S150225002	Screw M4 × 4	4
5	182A10001	Feed lift connecting rod	1
6	SFB1403014	Retaining ring	2
7	S150866003	Bearing K25 × 29 × 10	2
8	182A10002	Differential feed eccentric	1
9	B12500532	Screw M5-0.8 × 5	2
10	182A10003	Differential feed connecting rod	1
11	182A00028	Pin	2
12	182A00004	Link (long)	1
13	182A00005	Link (short)	1
14	182A00006	Pin	1
15	182A00029	Washer	1
16	B62400812	Screw M4-0.7 × 8	2
17	182A00007	Differential feed shaft lever	1
18	S150220002	Screw M4-0.7 × 12	1
19	182A00008	Control bracket	1
20	182A00009	Connecting rod guide	1
21	182A00010	Control bracket spring	1
22	182A00011	Pin	2
23	182A00012	Control lever shaft bushing	1
24	S150656004	O – ring (P16)	2
25	110280000	Oil seal	1
26	182A00014	Control lever shaft	1
27	182A00015	Control link pin	1
28	182A00016	Control link	1
29	182A20001	Nut	1
30	S150446006	Roll pin	1
31	182A00017	Adjusting screw	1
32	S150435001	Adjusting stop pin	1
33	B12400432	Screw M4-0.7 × 4	1
34	182A00021	Adjusting bar	1
35	S120205001	Screw 螺钉 M3 × 6	1
36	182A00022	Differential feed control lever	1
37	182A00023	Differential feed graduations	1
38	B62401012	Screw M4 × 10	2
39	182A00024	Washer	2
40	182A00025	Nut	1
41	S8A3103006	Washer	1
42	S8A3103012	Washer	1
43	S150220001	Screw M5-0.8 × 8	1
44	182A00026	Screw M4.5-0.5 × 3	1
45	182A00027	Nut	1
46	S150643002	Washer φ 6	1
47	182A10000	Feed lift connecting rod, C . set	1

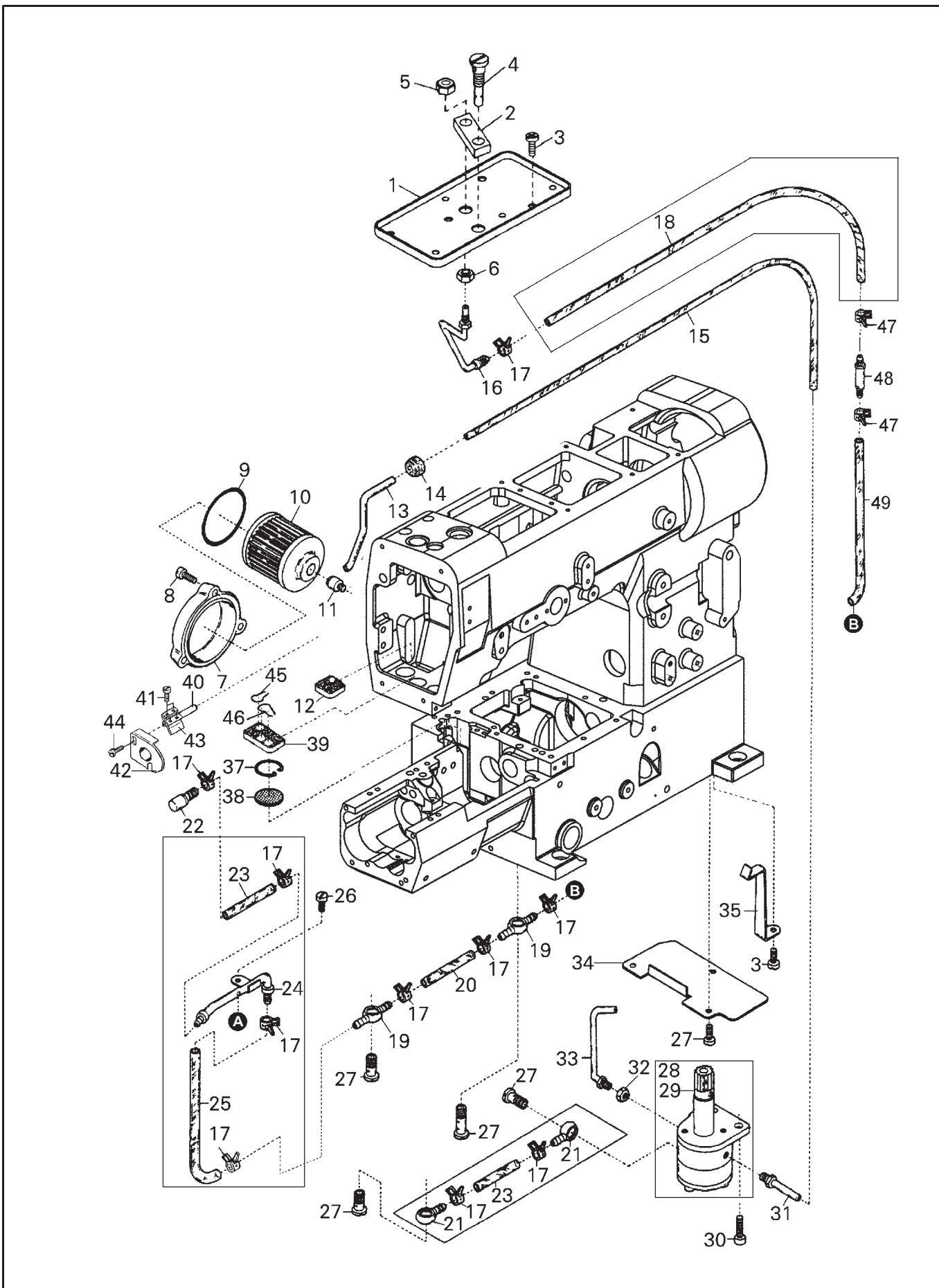
13. FEED DRIVING MECHANISM



13. FEED DRIVING MECHANISM

No.	Ref.No.	Description	Qt.
1	182C00001	Needle guard eccentric	1
2	B12500532	Screw M5-0.8 x 5	2
3	182C00002	Needle guard lever	1
4	B62300812	Screw M3x 8	2
5	182C00003	Needle guard holder	1
6	182C00004	Needle guard	1
7	B60300612	Screw M3-0.5 x 6	2
8	182C00005	Needle guard lever	1
9	182C00006	Needle guard holder	1
10	182C00007	Needle guard	1
11	182C10007	Feed regulating stop	1
12	043300022	Screw M3-0.5 x 8	1
13	S150446003	Roll pin	1
14	182C10006	Conical spring presser	1
15	S150218002	Screw M2-0.4 x 4	2
16	182C10005	Washer	1
17	182C10004	Eccentric cam	1
18	S150435007	Stop pin	1
19	182C10003	Eccentric pin	1
20	182C10000	Main feed bar driving connection	1
21	B60300612	Screw M3-0.5 x 6	1
22	S150224017	Screw M2x 4	1
23	B12400432	Screw M4x 4	2
24	182C00014	Feed dog driving connection rod	1
25	S150237001	Screw M5x 18	2
26	182C00015	connecting rod pin	1
27	182C00016	limiting stopper	1
28	B12060632	Screw M6-1 x 6	2
29	182C00017	Differential feed bar	1
30	182C00018	Main feed bar	1
31	182C00019	Feed dog key	2
32	182C00020	Feed lift block	1
33	182C00033	Main feed dog	1
34	182C00034	Differential feed dog	1
35	182C00023	Feed bar guide	1
36	B62401012	Screw M4-0.7 x 10	2
37	182C00024	Differential feed bar driving cor	1
38	182C00025	Oscillation adjusting eccentric	1
39	182C00027	Wick	1
40	182C00026	Driving connection pin	1
41	S150224001	Screw M3x 3	1
42	182C20002	Set plug	1
43	182C20001	Differential feed shaft	1
44	182C00028	Feed bar block	1
45	182C30001	Feed lift shaft	1
46	182C00029	Wick	1
47	182C00030	Wick (280mm)	1
48	182C30002	Seal plug	1
49	182C00031	Ring (11 x 18 x 11mm)	2
50	B12060632	Screw M6x 6	2
51	182C00032	Feed bar guide	1
52	B62400812	Screw M4x 8	2

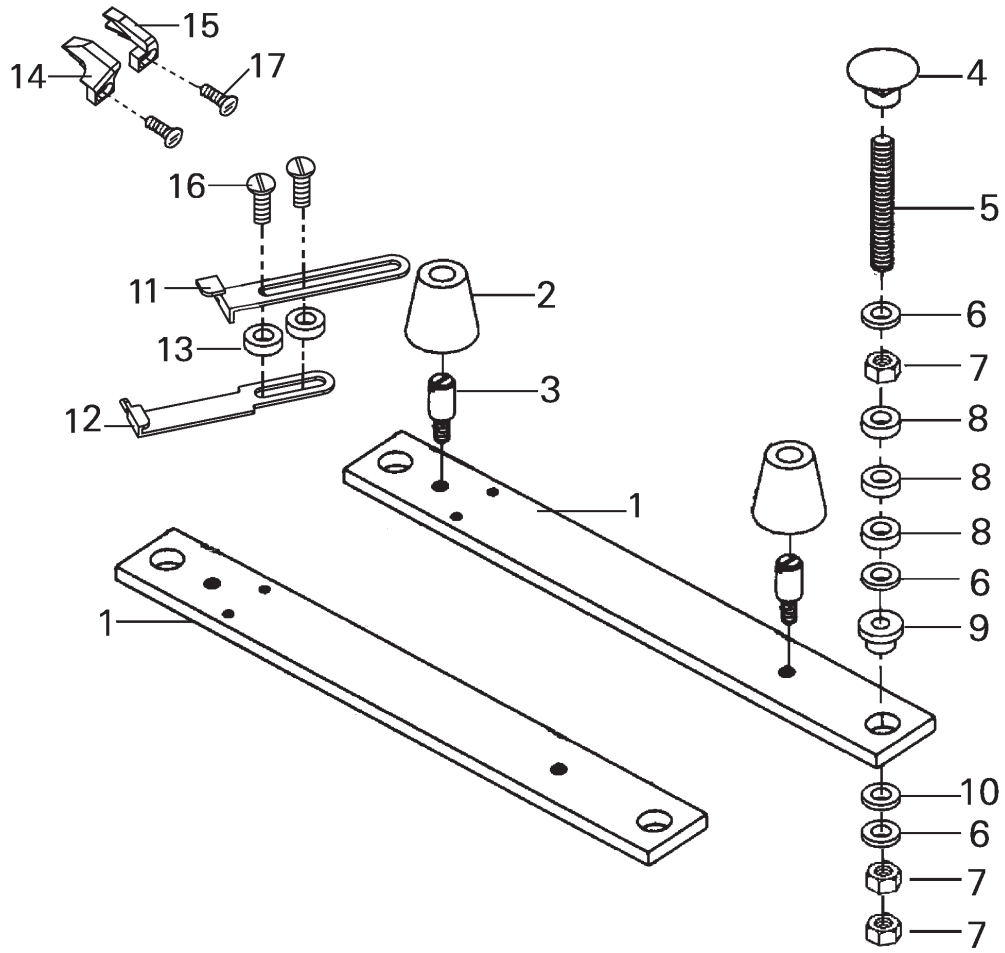
14. LUBRICATING MECHANISM



14. LUBRICATING MECHANISM

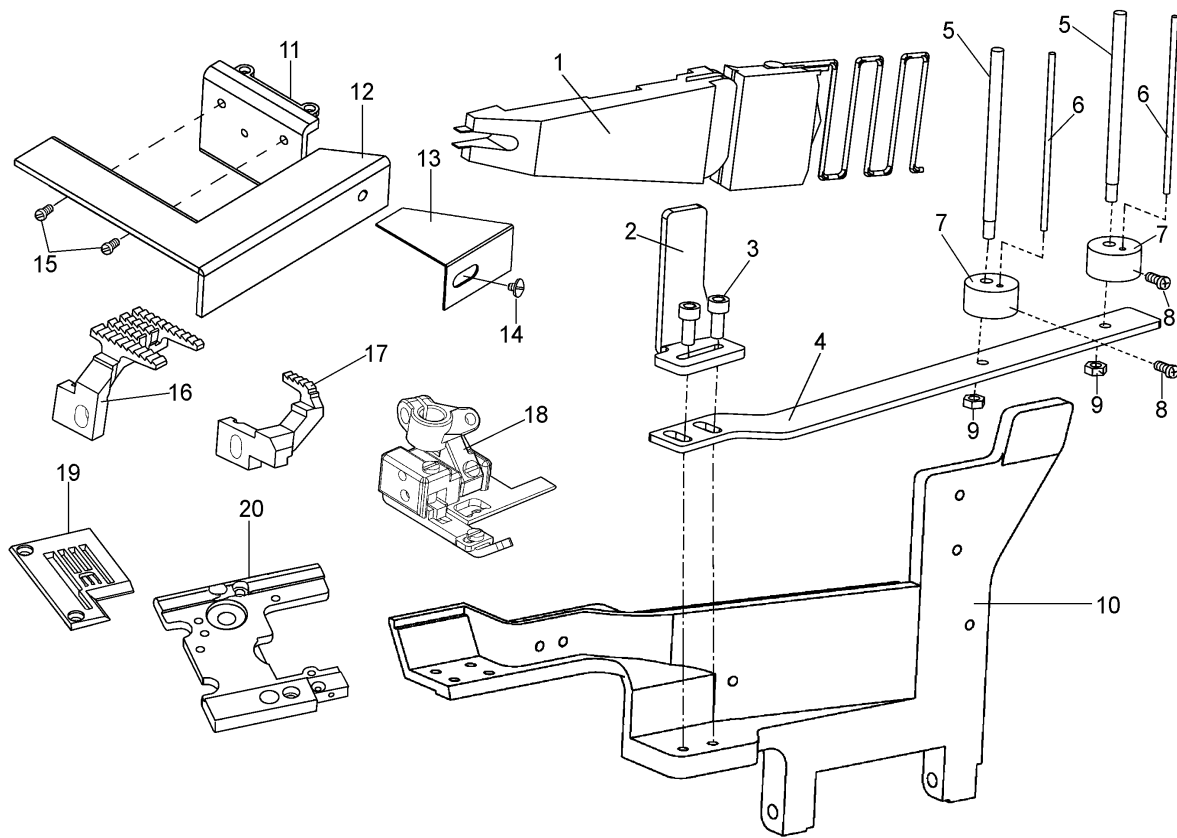
No.	Ref.No.	Description	Qt.
1	110G10001	Oil reservoir	1
2	110G10002	Regulate oil block	1
3	S150237002	Screw M4-0.7×5	6
4	221200029	Regulate oil screw	1
5	S120501011	Nut M6	1
6	S120503010	Nut M5	1
7	028700023	Oil filter cap	1
8	B62401412	Screw M4×12	3
9	S8A3107004	O-ring	1
10	028770001	Oil filter	1
11	028700022	Oil filter connector	1
12	110300007	Felt	1
13	110300010	Suction pipe	1
14	110300011	Suction pipe bushing	1
15	110300008	Oil tube (3×5×440mm)	1
16	110G20000	Oil pipe unit	1
17	028700011	Oil tube clamp	14
18	182D00011	Oil tube (4×6×290mm)	1
19	110340001	Oil tube join ,two way	2
20	182D00014	Oil tube (4×6×37mm)	1
21	028700010	Oil tube join ,one way	2
22	182D00027	Lower shaft oiling outlet	1
23	182D00020	Oil tube (4×6×31mm)	2
24	182D20000	Lower shaft oiling shower	1
25	182D00018	Oil tube (4×6×110mm)	1
26	B62400812	Screw M4-0.7×8	2
27	028700012	Regulate oil screw	4
28	110360000	Oil pump complete set	8
29	110360001	Oil pump driving worm gear	1
30	B18061632	Screw M6×16	1
31	110362000	Suction pipe	2
32	S120501011	Nut M6	1
33	110361000	Oil nozzle for worm gear	1
34	182D00026	Oil plate	1
35	182D00025	Oil case	1
36	110300002	Oil sight gauge	1
37	110300006	Oil filter screen clamp	1
38	110300005	Oil filter screen	1
39	110G00014	Felt	1
40	110G00011	Oil pipe fixed bar	1
41	B12400432	Screw M4×4	1
42	110G00012	Bed front plate	1
43	110G00013	Bed right plate	1
44	S150237002	Screw M4×5	2
45	110G00015	Felt clip (1)	1
46	110G00016	Felt clip (2)	1
47	110300014	Oil tube clamp	2
48	110341000	Non-return valve unit	1
49	110300008	Oil tube	1

15. ACCESSORIES



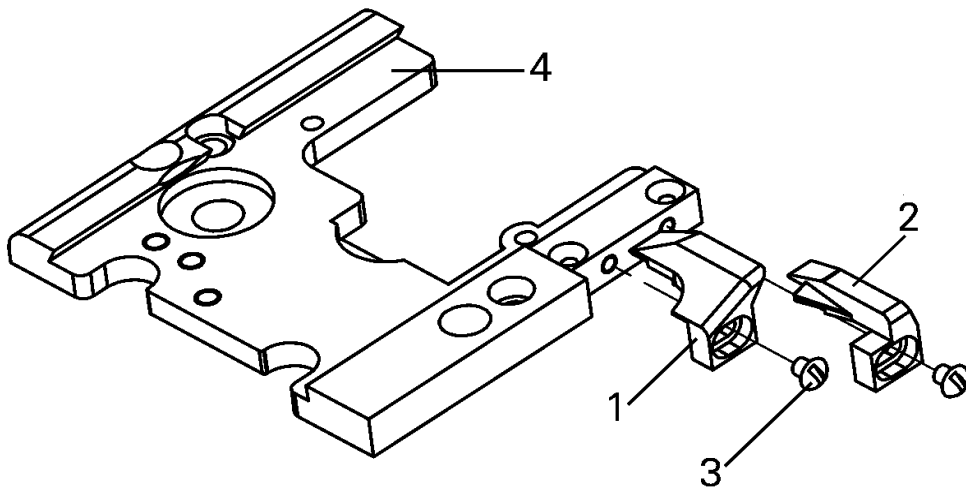
15. ACCESSORIES

No.	Ref.No.	Description	Qt.
1	110F10001	Supporting board	2
2	110F10002	Oil reservoir rubber cushion	4
3	110F10003	Setting screw	4
4	110F10005	Hanging nut	4
5	110F10004	Hanging bolt	4
6	GB96-85	Washer 8	12
7	GB6170-86	Nut M8	12
8	110F10006	Spacer(see the table below)	12
9	110F10007	Supporting board rubber cushion	4
10	110F10008	Supporting board rubber cushion	4
11	222F00006	Upper folding device	1
12	222F00007	Lower folding device	1
13	222F00008	Folding device met	2
14	182100051	L material guide	2
15	182100048	R material guide	1
16	S150237002	Screw	2
17	S120203019	Screw M3×6	2



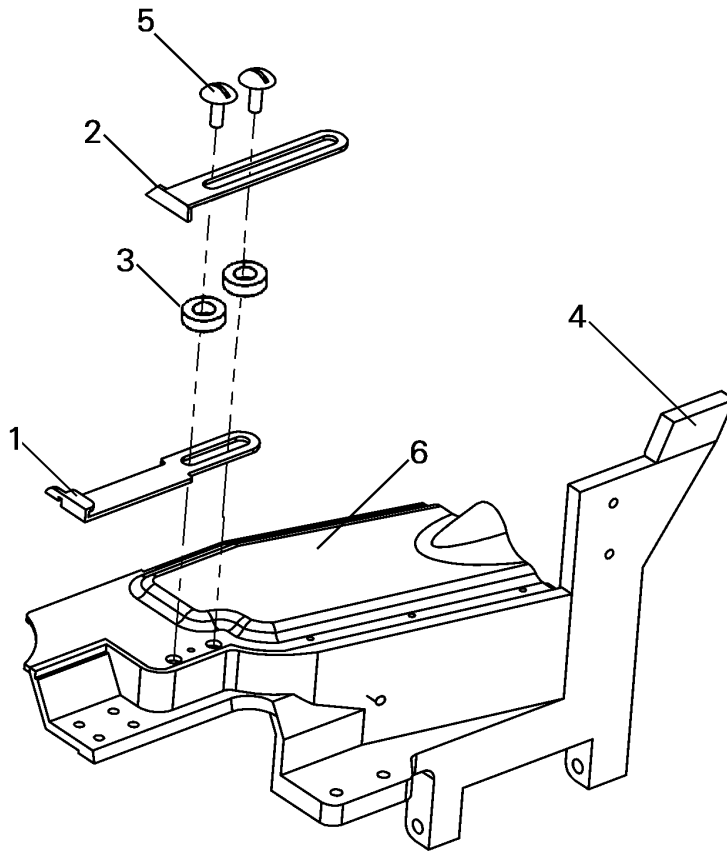
Collar Special-use parts for 370D

No	Ret. No.	Description	Qt	Note
1	110A11000	Binding	1	
2	222F00009	Tape binding	1	
3	S150220002	Screw 4x12	2	
4	221F00012	Binder plug	1	
5	118440002	Tape guide (thick)	2	
6	118110004	Tape guide(short)	2	
7	118110003	Tape guide adjusting holder	2	
8	011100006	Screw	4	
9	S150559004	Nut M4	2	
10	222100045	Front cover plate	1	
11	222100001	Left cover plate	1	
12	222100056	Connecting plate	1	
13	182F10016	plate	1	
14	110A10006	Screw	1	
15	S150237012	Screw	2	
16	182F10024	Feed dog	1	
17	182F10023	Differential feed dog	1	
18	110A41000	Presser foot, complete set	1	
19	222100053	Needle clamp	1	
20	222100055	Stitch plate support	1	



Seam Special-use parts for 370D









No	Ret. No.	Description	Qt	Note
1	182100051	L material guide	1	
2	182100048	R material guide	1	
3	S120205001	Screw M3x6	2	
4	182100030	Stitch plate support	1	



Fold hem Special–use parts for 370D

No	Ret. No.	Description	Qt	Note
1	222F00007	Lower folding device	1	
2	222F00006	Upper folding device	1	
3	222F00008	Folding pad	1	
4	222100045	Front cover Plate	1	
5	S150237004	Screw M4× 12	2	
6	222100020	Front cover(upper)	1	

370D SERIES GAUGE PARTS LIST

								
TYPE	NO.OF NEEDLE	NEEDLE GAUGE	NEEDLE CLAMP	PRESSER FOOT	NEEDLE PLATE	FEED DOG	DIFFERENTIAL FEED DOG	CLOTH PLATE
370D-1348	3	4.8	182610005	110693000	110400038	182C00021	182C00022	222100019
370D-1356	3	5.6	182610006	110691000	110400039	182C00021	182C00022	222100019
370D-1364	3	6.4	182610007	110692000	110G00003	182C00033	182C00034	222100019
370D-1356/11	3	5.6	182610006	110A41000	182F10007	182F10024	182F10023	222100019
370D-1364/11	3	6.4	182610007	110A42000	182F10029	182F10024	182F10023	222100019

4. Sewing Speed

The highest sewing speed is 6000r.p.m.

However, it is preferable to operate the new machine at 4000r.p.m. in about 200 hours, after which at 4600r.p.m. ordinary speed. This manner will help life of machine to be much longer.

Turning directing of pulley (A) is clockwise as well as handwheel (B).

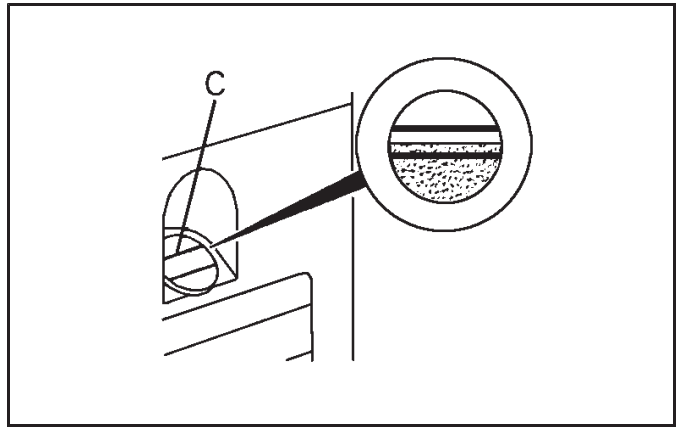
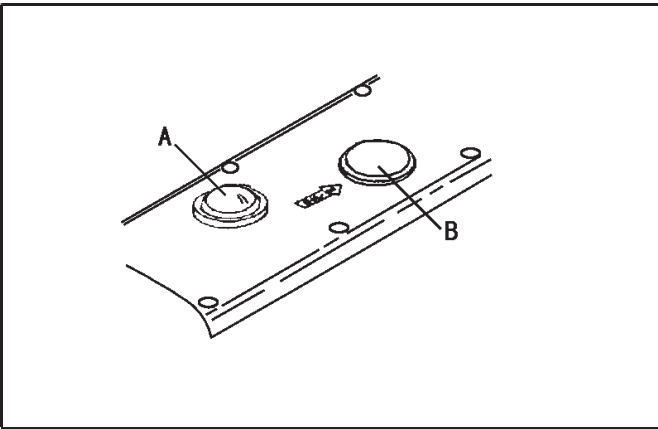
5. Lubrication

5-1 Oil to Be Used

Use sewing machine oil No.18

5-2 Feeding of Oil

Because oil will have been drained completely from machine at shipment, it must be filled in reservoir up to upper line of oil gauge (C).



5-3 Oil Sight Gauge and Check Procedure of Oil Cycling.

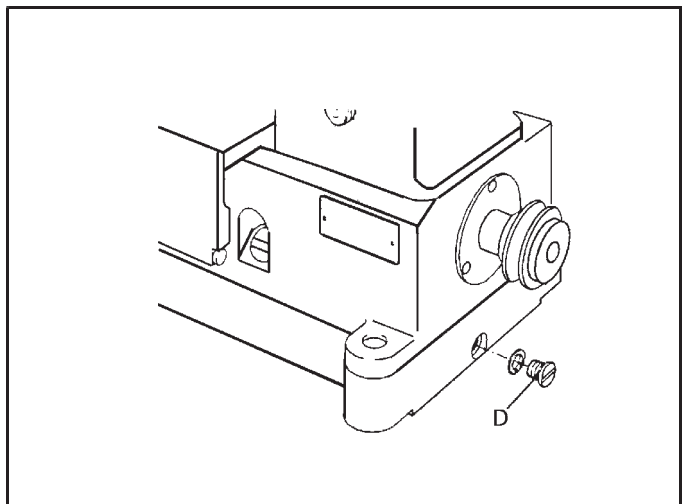
Check oil sight gauge everyday before operation and replenish oil if its face is below underline of the gauge. Looking through oil sight top nozzle before operation, observe the flowing of oil. Caution must be made that this regulating screw slot must be positioned between marks. Usually it has been adjusted properly before shipment.

5-4 Exchange of Oil

To keep the machine longer life, oil should be changed completely after the initial use around 200 hours, then change oil 4 or 6 times yearly.

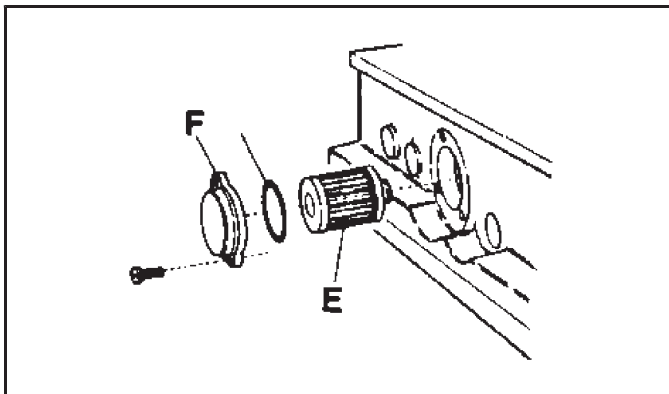
Change of oil shall be made according to the following order:

- Remove V belt from motor pulley, then remove machine head from supporting board.
- Remove belt guard.
- Remove drain screw (D) and drain oil.
- As for replenishment of oil, refer to "Feeding of Oil".



5-5 Cleaning of Filter and Screen.

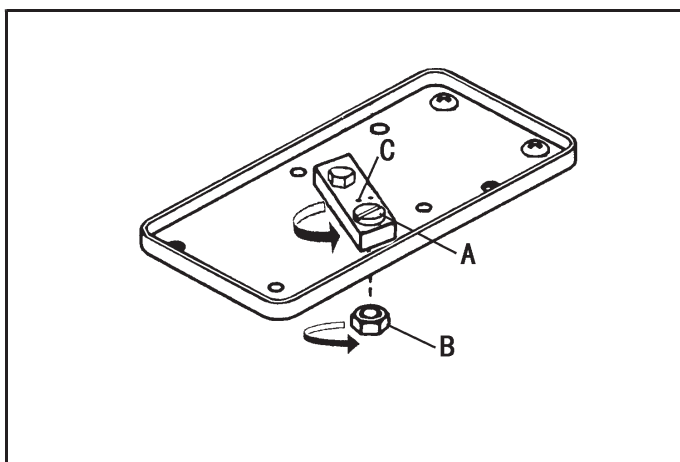
When the filter is blocked up, the oil supply will be affected. Although there is sufficient oil in oil reservoir, no oil could be spread from the nozzle. In the case, the operator should turn off the machine immediately, clean or exchange the filter. It should be cleaned every four months. As for the remove procedure of oil filter.



5-6 Oil amount adjustment

Open the faceplate, observe the oil baffle plate, it is normal when it drips between 5 seconds and 10 seconds, if it is not normal, please adjust the oil amount as below step:

1. Remove the top cover.
2. Release the nut B.
3. Adjust the direction of Screw A, when the slot of the screw A parallel with the point C, it is the max oil amount, and rotate the screw A in clockwise, until the oil amount is suitable, and lock the nut B.

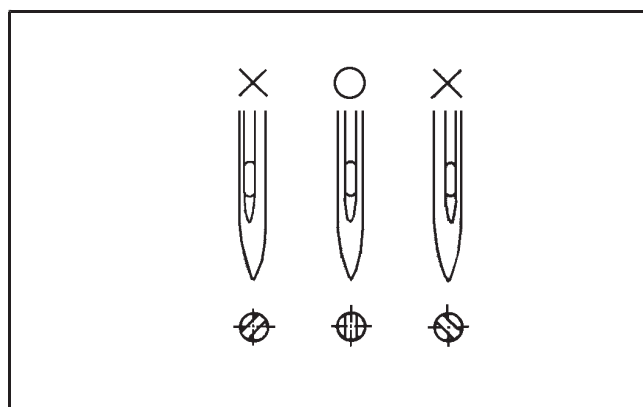


6. Proper Operation

6-1 Needle to Be Used, Fitting Of Needle and "SP" and "HR" Device.

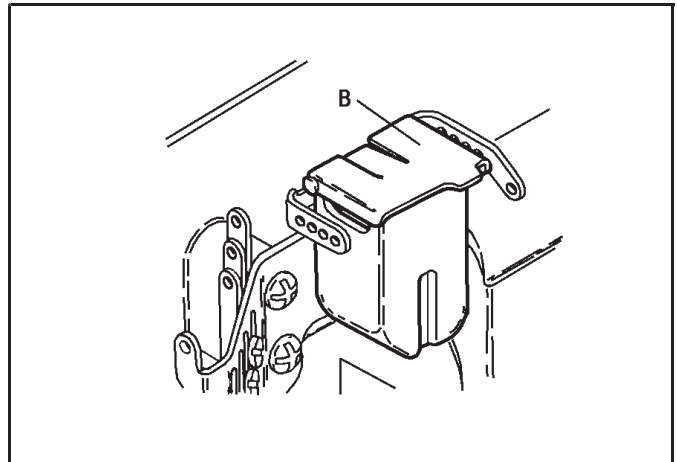
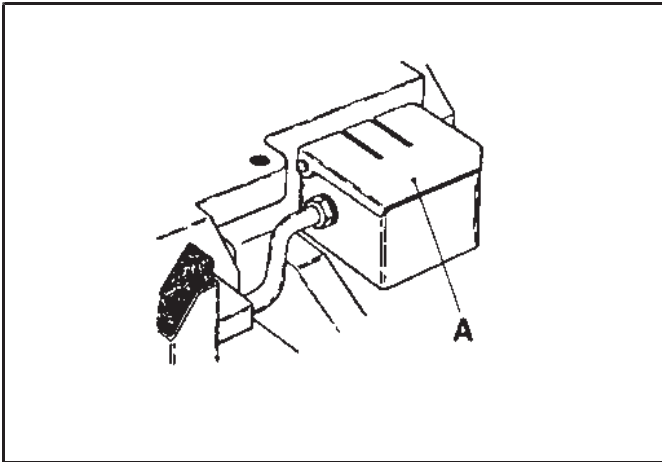
The machine uses needles of Model GK16, DVx63, B-63, or type of UY128 GAS. These are many sizes of needles, so that suitable size to the nature of sewing materials must be select. Generally, needle of #65 -90 is the standard size for lightweight, medium weight and medium heavy fabrics and #90 for heavy duty.

DVx63	9	10	11	12	13	14
B-63	65	70	75	80	85	90
GK16						



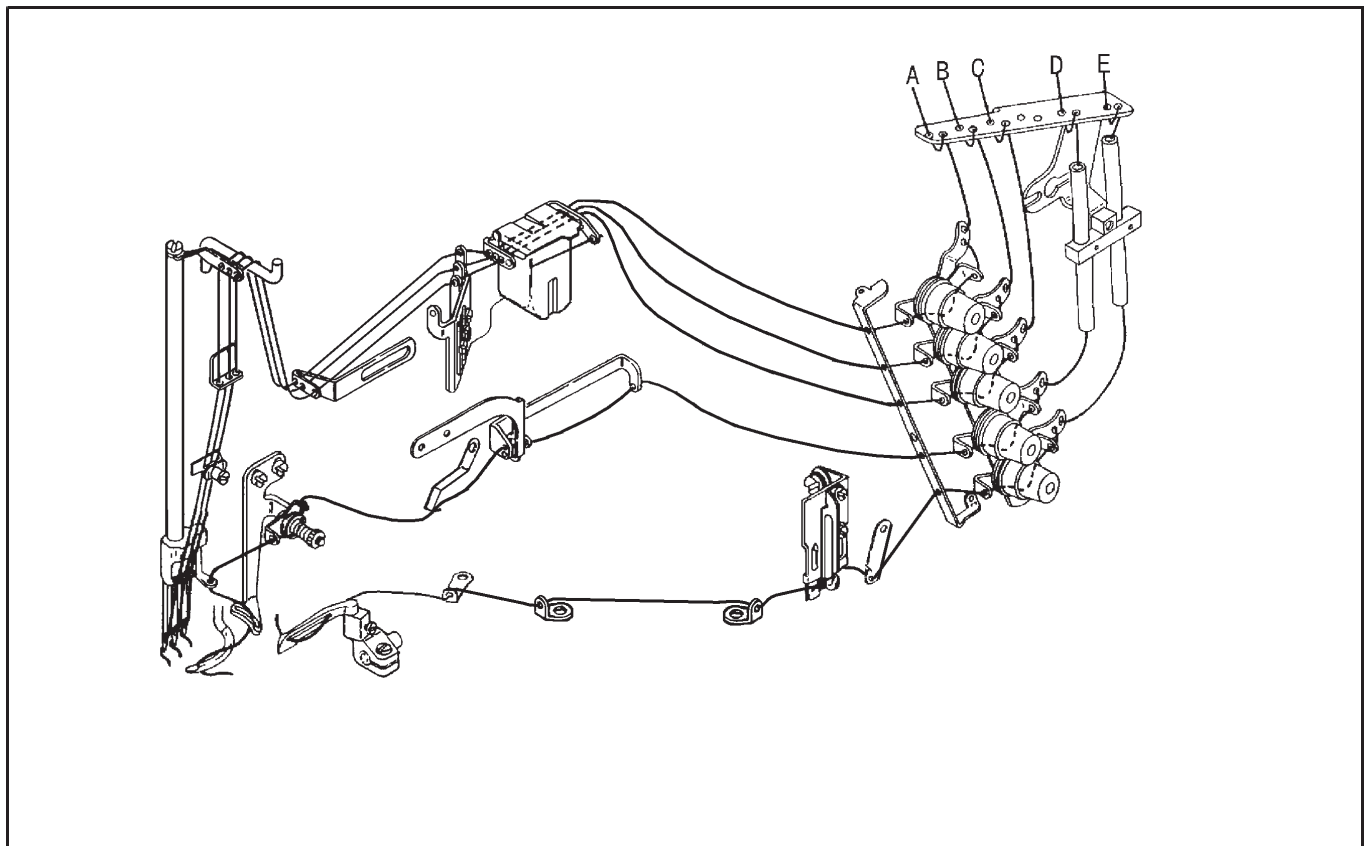
Needle should be set correctly facing their long slot towards operator; mark (X) in fig. 12 shows incorrect setting of needle. While operating machine in high speed, due to the friction occurred between needle and fabric causing stitch skipping, thread broken and the penetrated hole on the fabric will become much bigger, especially when compound thread and fabric are used.

To prevent from occurring above case, the machine is equipped device of needle lubrication. To achieve most efficient effect of these devices, silicon oil should be used. Generally, we suggest using these devices as much as possible and often open the covers of them, checking the oil amount and making feeding of silicon oil in time. If these devices are not necessary, it's better for you to take out felt from the devices and not let the needle tips and thread to touch them.



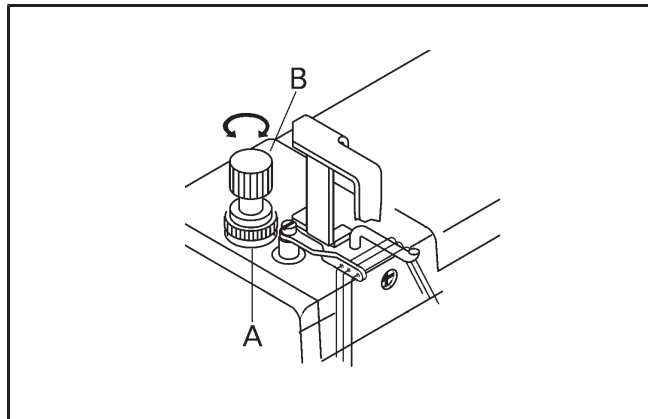
6-2 Threading

Threading the machine as shown in fig. A.B.C. indicate needle thread, D stand for upper ornamental thread, E presents looper thread.

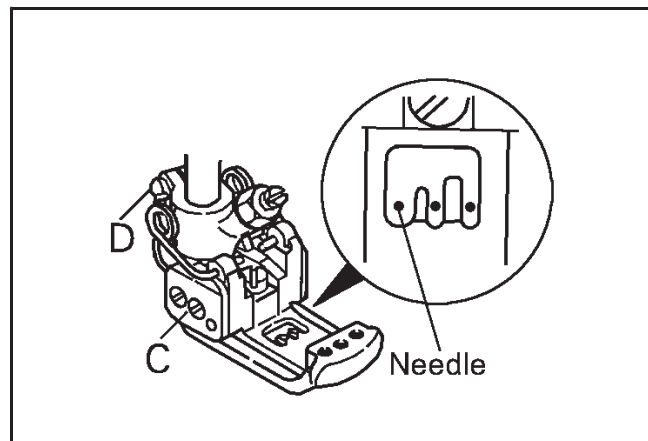


6-3 Pressure of Presser Foot and Its Adjustment

When pressure regulating screw (B) is turned clockwise, increase the pressure of presser foot; otherwise decrease it. Imperfect feeding or poor stitch will be caused if the pressure of presser foot is not set properly, so that, to keep the pressure of presser foot as weakly as possible under the condition that stitch is uniform.



If the needle doesn't drop into the center of dropping space as the illustration shows, it is necessary to make adjustment. Firstly, to loosen screw (D), and move presser foot (C), to assure the needle drop correctly. Then tighten screw (D) again.



6-4 Adjusting Stitch Length

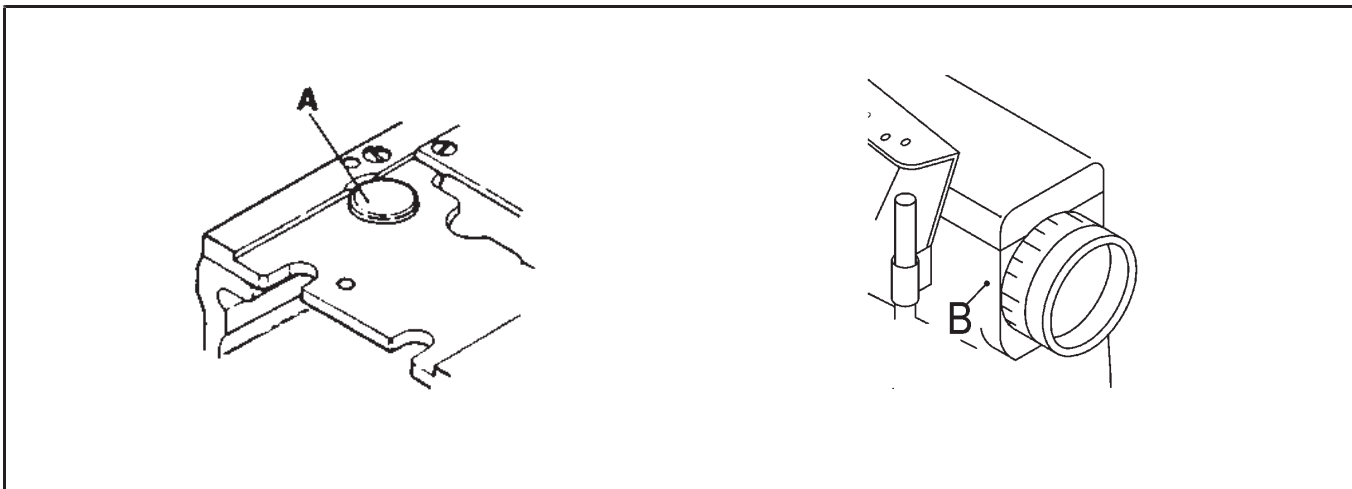
Change of stitch length

Press push button (A) with left hand lightly till the tip of which contact to a part inside.

Keep pressing, turn handwheel with right hand till push button gets in. At this point, press in push button strongly and turn handwheel.

A graduation on the circumference of handwheel indicates a stitch length (mm). Which should be aligned with the Mark (B), then release hand.

Note. In case of machine with UT device (lower thread trimmer) which is equipped with a motor with automatic needle positioning system, Motor switch must be turned off without fail when changing stitch length.



6-5 Adjusting Differential Feed

Normal differential feed or reverse differential feed can be set freely by turning Knob (C).

As differential feed and main feed is driven individually, when main feed amount (stitch length) is changed, the differential ratio changes accordingly. In this case readjustment is necessary.

The graduation shows the amount of differential feed. For instance, in Case the desired feed amount (stitch length) is "2" and if the graduation is set at "2" by turning knob (C) the differential ratio becomes 1:1.

※When setting the graduation over "2", it becomes normal differential and setting it under "2", it becomes reverse differential.

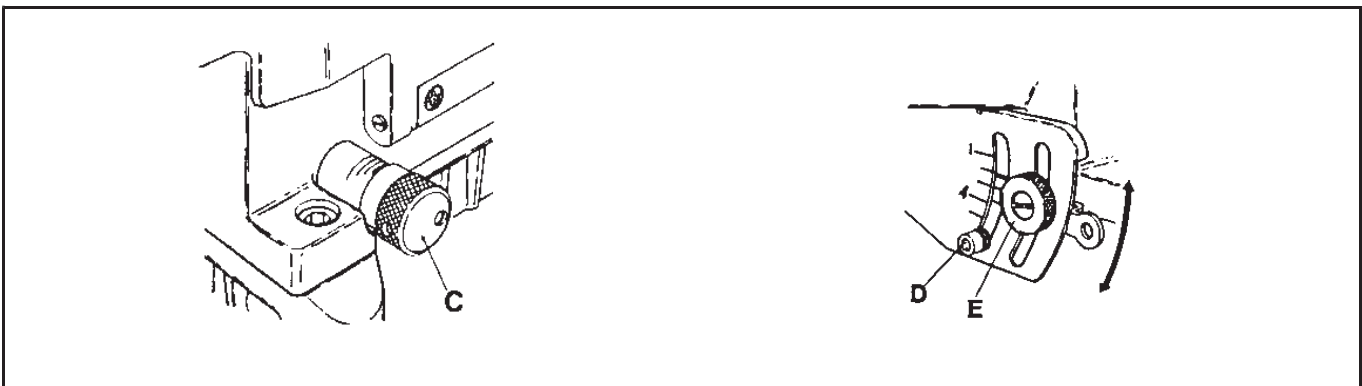
For the main feed amount the upper limit is "4".

When using differential feed control lever .

Fix differential feed control lever at the desired position with nut (E) within the range from the position of graduation on lever when turning knob (C) to stopper (D).

At the time of using max. differential feed. Turn knob (C) and set lever at graduation "1". For adjusting feed amount during operation, attach a chain to the lever.

※The range of differential ratio varies according to the stitch length. Refer to the table below range differential.



7. Proper Adjusting

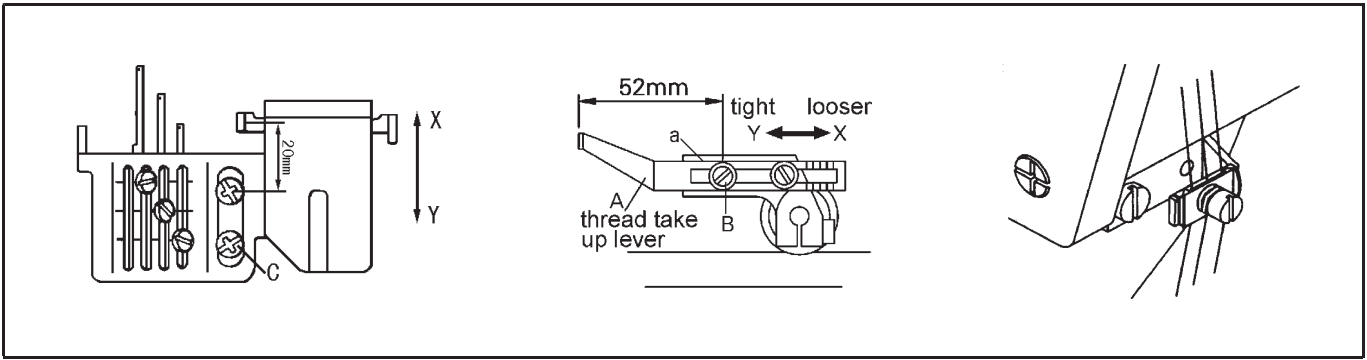
Each setting is on the standard position of the machine and no need to be adjusted. Under certain special situation, like to change different needles and hooks, or make some inner adjustment to sew special

7-1 Tension of Needle thread

The distance between needle thread take-up (A) and center of fixing screw (B) is 52mm. When needle lever is at its highest position, edge (A) of needle thread take-up should be horizontal. This is the standard position of the needle thread take-up. After loosen screw (B), move the needle thread take-up towards (Y) direction, tighten needle thread; move it towards (X) direction, loose needle thread. If needle thread tension could not be regulated through above procedure. You'd better loosen screw (C), silicon oil device towards (Y) or (X) direction, and see if the tension is satisfied. Generally, move it towards (Y) direction, tighten the needle thread; move it towards (X) direction, loosen the needle thread.

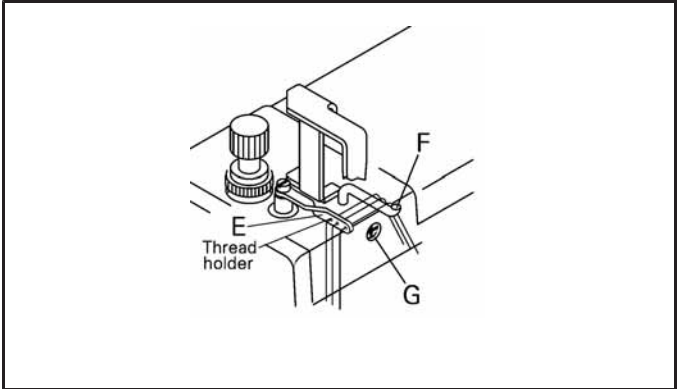
In case of general sewing condition, the distance between the center of screw and thread eyelet of thread guide should be 8mm.

Sometimes, owing to the different kind of thread nature, it is hard to form thread loop, causing skip of stitch; it's better for you to press the needle thread under small thread pressing plate. Sometimes, the thread loop of left needle is formed too big; it can also be pressed under the small pressing plate.



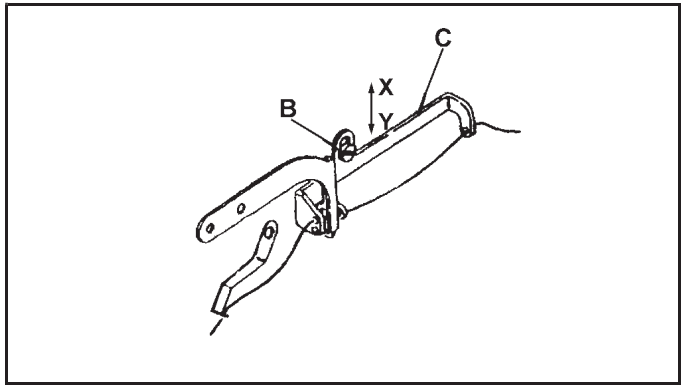
7-2 Adjusting of Needle Thread Retainer Device

In case of stretchable thread such as synthetic thread is used, needle thread loop will be unsteady, at this moment, loosen screw (G) and adjust device (F), To adjust the retainer device, when needle bar is at its lowest position, let the eye of eyelet (E) be even with the surface of thread retainer device (F).



7-3 Tension of Ornament Thread

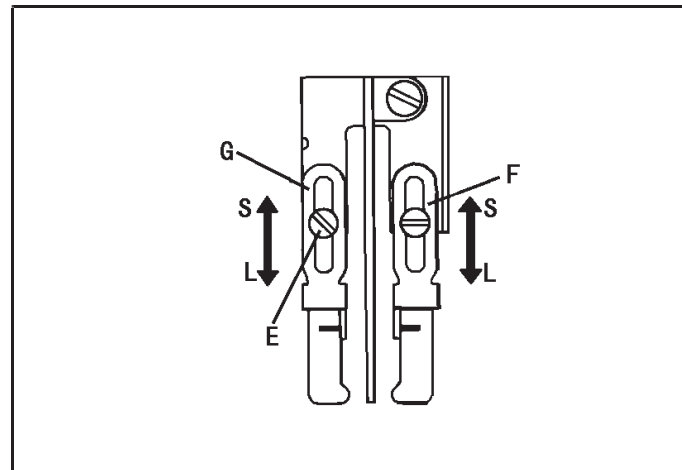
To get plenty of ornamental running, lower the eyelet(C), by loosening screw (B) and otherwise to get little of thread running. Then, retighten the screw (B).



7-4 Adjusting of Tension of Looper Thread

The standard position is that the tighten screw (E) is in the middle of eyelet (F) and (G), and eyes of eyelet (F) and (G) must be aligned.

To get plenty of casting thread, loosen fixing screw of eyelets (F) and (G) move them towards direction (L), otherwise move them towards direction (S) and retighten the fixing screws in time.



7-5 Removal and Fitting of Presser Foot

To remove presser foot:

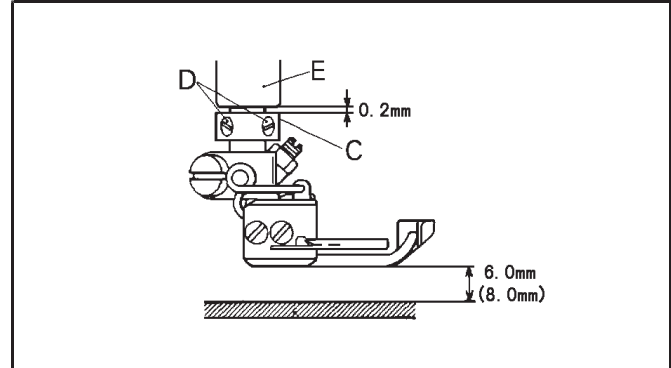
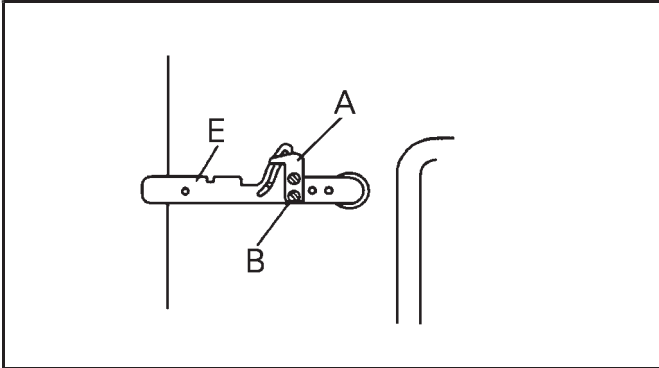
- Loosen regulating screw (B) and fixing screw (D) of foot stopper collar(C).
- Push the presser foot lever (E) towards, then presser foot can be removed.

To fit presser foot :

- Keep a distance of 6mm between bottom face of presser foot and top of needle plate. Then fix the press foot and retighten presser foot stopper collar(C) as show in the fig.
- Reading stopper plate (A) and retighten the screw (B).

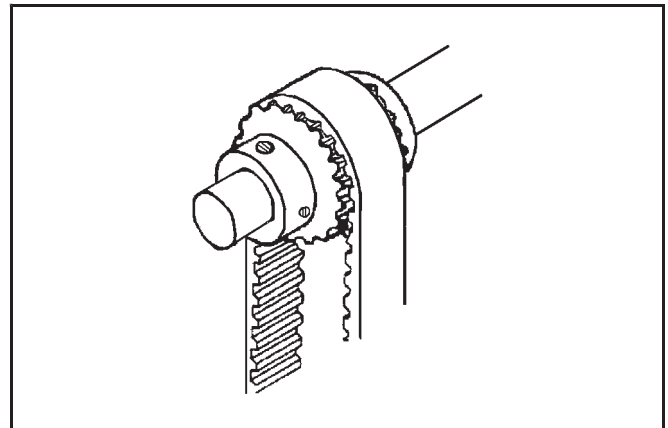
NOTE: The raising amount of presser foot of machines without ornamental thread looper is about 8mm.

And it is not necessary to use the stopper collar.



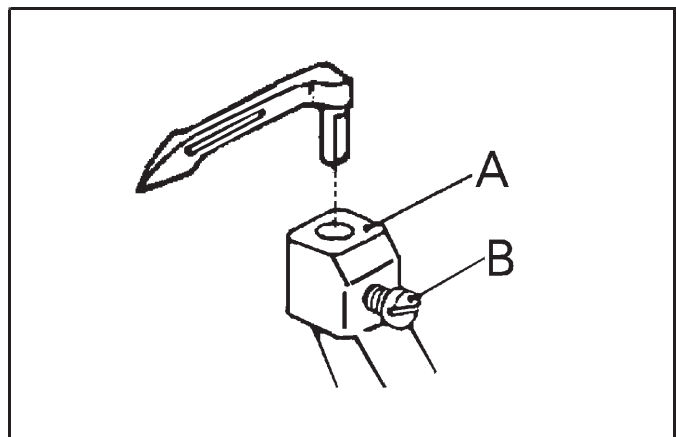
7-6 Timing of Needle with Looper Moving Right/Left

When needle bat is going up, looper must to left from its right end. When the looper begins to move towards left, needle must be going up. This timing of needle with looper moving right or left and this timing can be gained by regulating timing belt wheel.



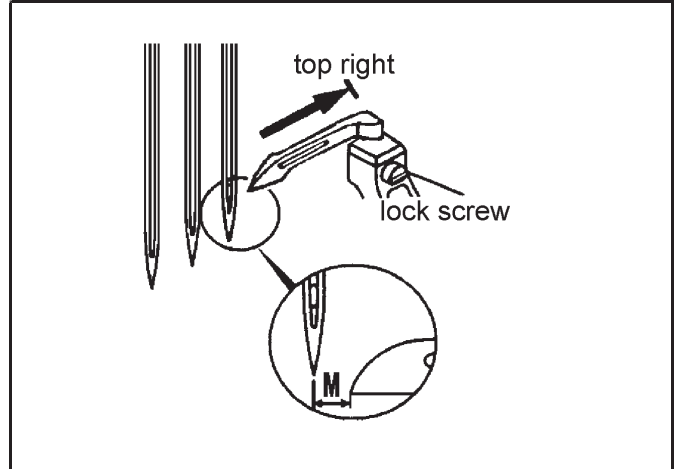
7-7 Fitting Angle and Height of Looper

Insert looper into looper holder as far as it will go and tighten screw (B), meanwhile, fitting angle (3°) will be decided naturally.



7-8 Distance (M) between Needle and Looper at Its Right End

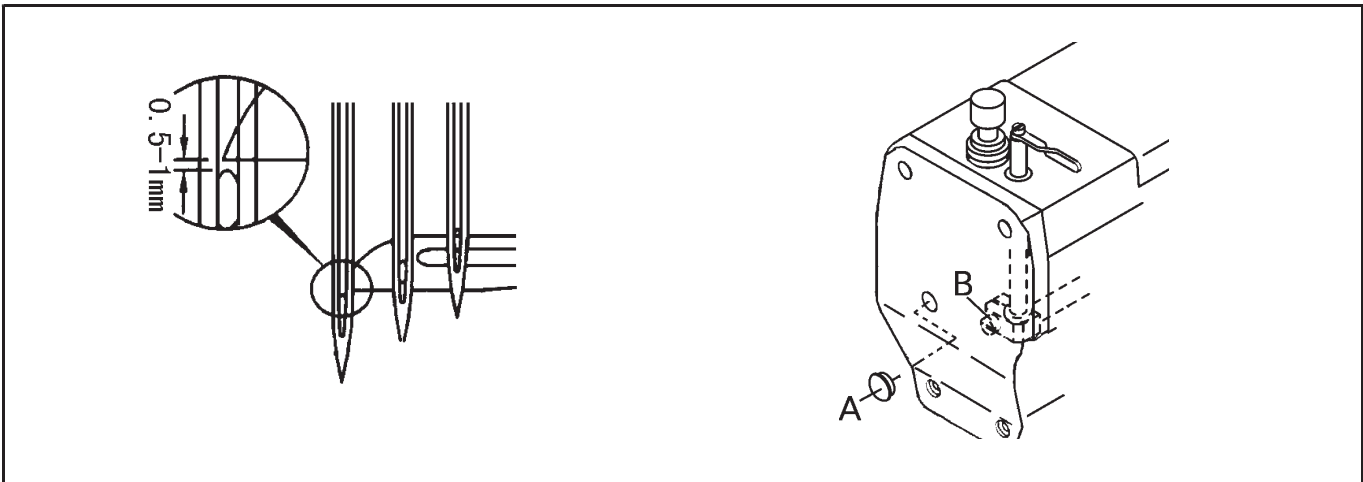
When needle are at their lowest position and looper is at its right end, distance (M) between center of right needle and point of looper shall be $M = 6 - A/2$, for 2 -needle or 3 -needle machine which the two sides distance of needle is A, for example, $A=5.6$, $M=3.2$.



7-9 Height of Needle Bar

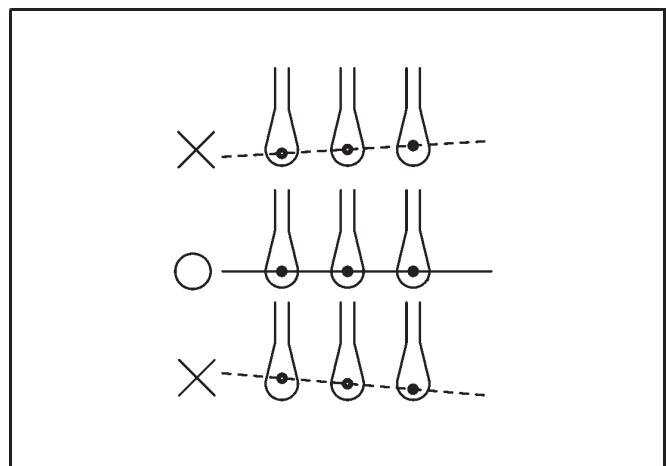
With special threads, please make adjustment as per below methods.

To adjust the height of needle bar, to open rubber plug A, and loose screw B. When needlepoint of looper move to the center of left needle, this needlepoint should be located 0.5-1mm above the needle



7-10 Relation between Needle and Stitch Plate

When the height of needle bar is set, needles must correctly formed in line as show in the illustration (solid line).



7-11 Relative Positioning of Needle and Loper in Front/Rear

a. As for three needle machine

When looper tip swings to the relative position of left needle, a clearance of 0.2–0.3mm must be kept.

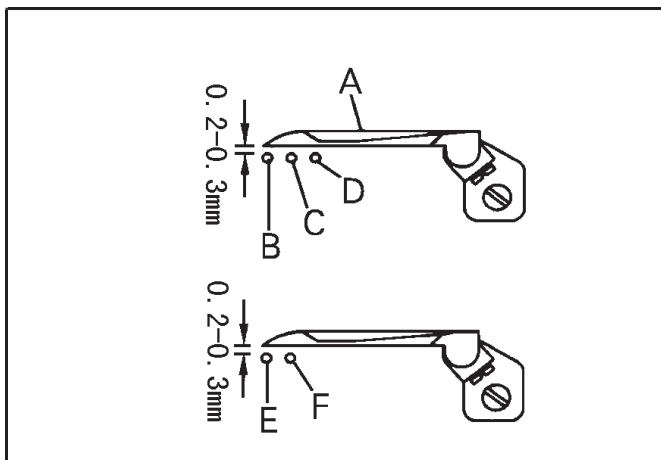
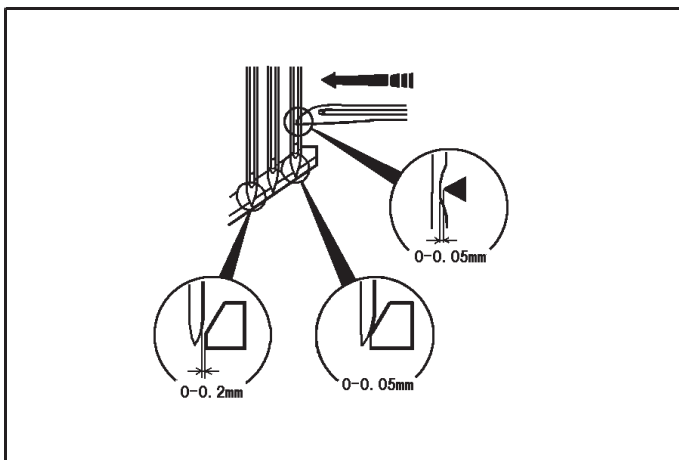
When it swings to at the relative opposition of middle needle, a clearance of 0.05–0.1mm must be kept.

When looper tip is at the opposition of right needle, there will appear a soft touch. It is necessary to push the needle a little forward (0.1–0.2mm) through needle guard (rear) let it keep a clearance of 0–0.05mm.

b. As for two-needle machine

When looper tip swing to the left needle, the clear-ance will be 0.2–0.3.

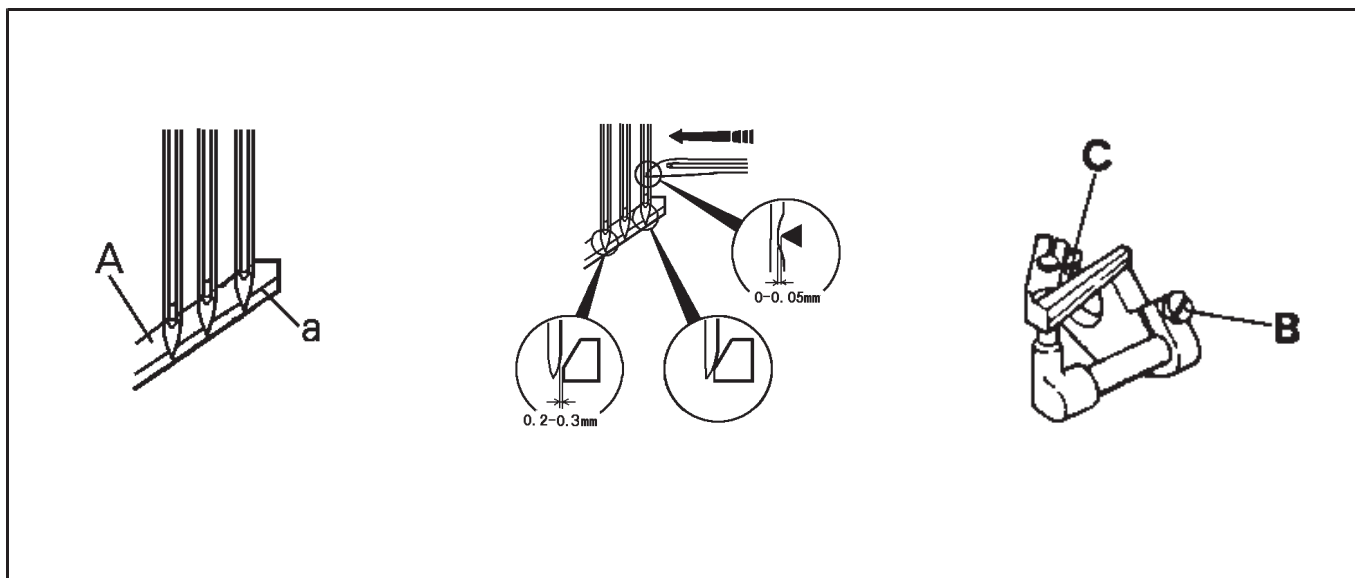
When looper tip swing to the right needle, there will be appear a soft touch, it is necessary to push the needle a little forward (0.1–0.2), let it keep a clearance of 0–0.05mm.



7-12 Adjusting of needle guard (rear)

Height of needle guard (rear) with needle bar at the lowest position, Align the centers of needles with the line (a) of needle guard (rear) (A).

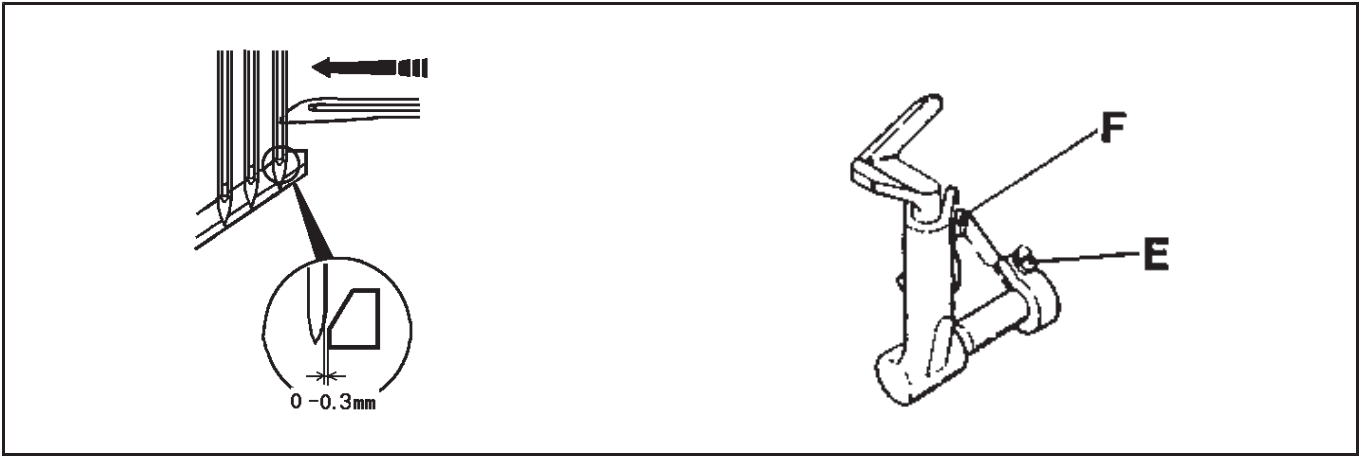
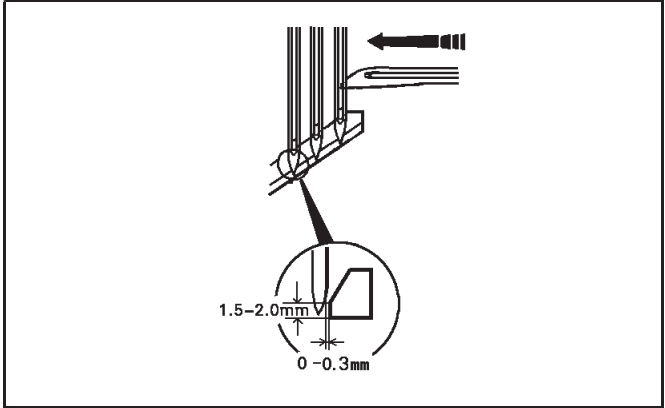
Front/rear position of needle guard (rear) when the tip of looper comes to the center of right needle, adjust the clearance between needle and looper to 0~0.5mm by pressing needle guard (rear), At this time, provide a clearance of 0~0.5mm between left needle and needle guard (rear). These adjustments are made by loosening screw (B) and (C).



7-13 Adjusting of needle guard (front)

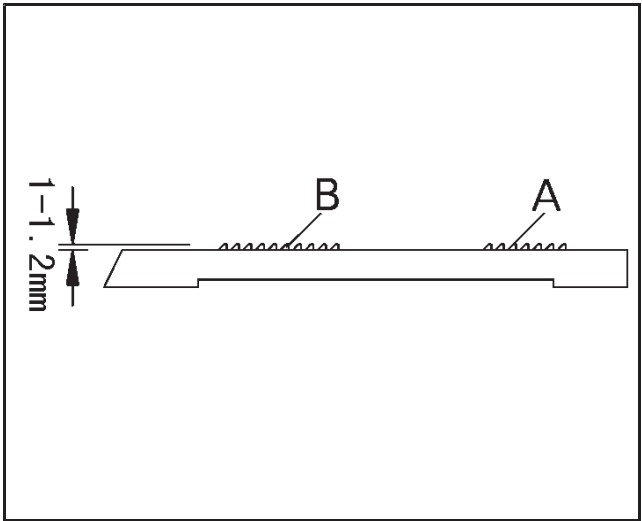
When the tip of looper comes to the center of left needle, Make it 1.5~2mm higher than the needle. At this time, Provide a clearance of 0~0.3mm between the needle and needle guard (Front) (D).

And when the tip of looper is returned to the right needle, provide a clearance of 0~0.3mm between the needle and needle guard (Front). These adjustments are made by loosening screw (E) and (F).



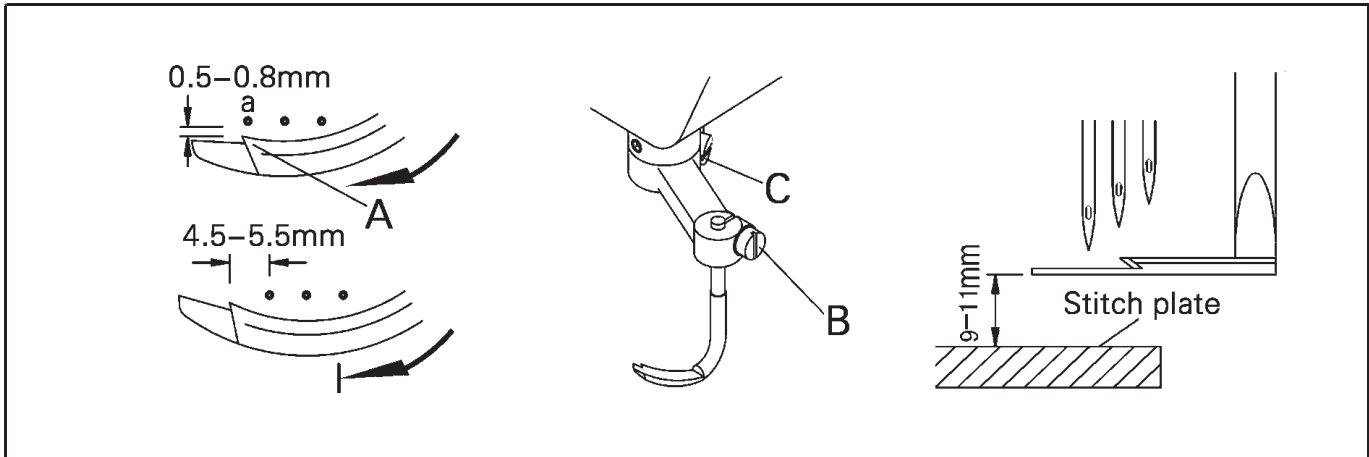
7-14 Height of Feeding Dogs

When feeding dogs move to its highest, the surface of feeding dogs tooth should be paralleled to the top face of stitch plate and main feeding dog (B) and differential feeding dog (A) should be at the same height of 1-1.2mm.



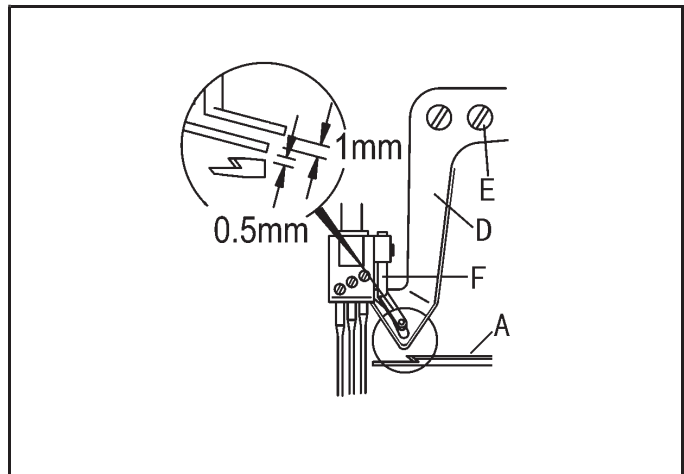
7-15 Fitting of Ornamental Looper and Its Adjusting

- When ornamental looper (A) move towards left, there should keep a clearance of 0.5–0.8mm between the hook point (a) and left needle. When it goes on moving to the left end above-mentioned clearance should be 4.5–5.5mm. All these adjustment can be made through the screw (C).
- There should keep a clearance of 9–11mm between the bottom of ornament looper (A) and top face of stitch plate, and it can be adjusted with screw (B).



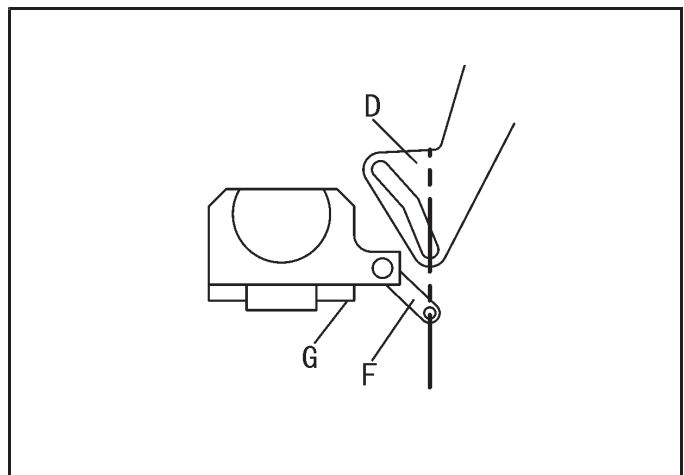
7-16 Adjusting of Ornamental Thread Eyelet

On the basis of top face of looper, to adjust ornamental thread eyelet, keep a clearance of 0.5mm between ornamental thread eyelet (D) bottom and top face of looper, confirm that there is no friction and hitting during sewing, then retighten fixing screw (E).



7-17 Adjusting of Small Ornament Thread Eyelet (F)

When the needle bar drops to its lowest, to adjust the clearance between small ornamental thread eyelet bottom and top face of ornamental thread eyelet D to about 1mm, and fit the small ornamental thread eyelet eye to the extension of long eye of ornamental thread eyelet.

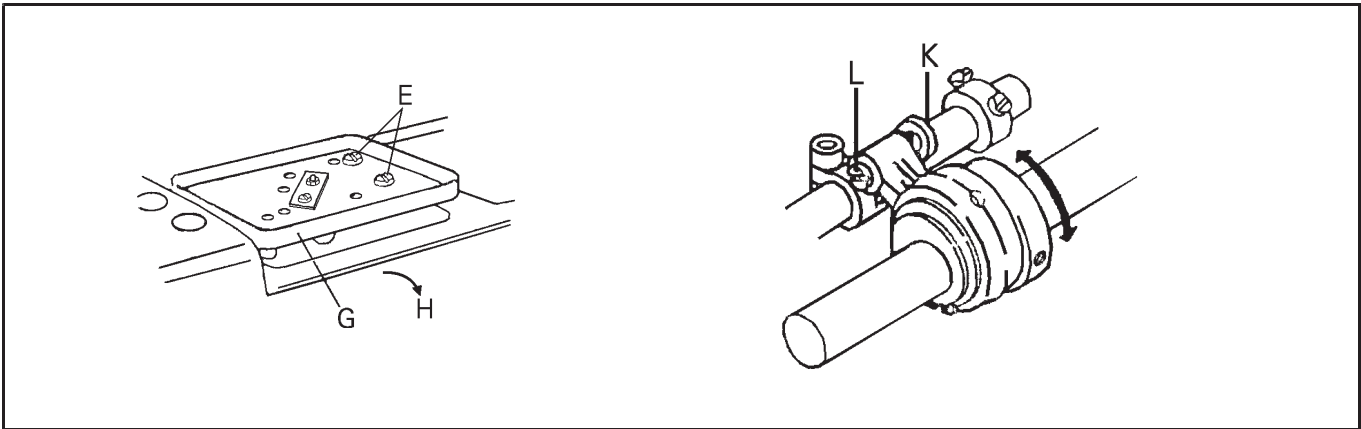


7-18 Adjusting of Swing Scope of Ornamental Looper

In ordinary case, the swing scope of ornamental looper is set proper before shipment. But sometimes, owing to different sewing fabric or process requirement it is necessary to make readjustment as follows:

- a. Remove top cover.
- b. Remove screw (F) and move the oil reservoir out towards (H).
- c. Loosen nut (K); otherwise, to move the screw (L) down, to increase swing scope, then retighten the nut (K); otherwise, to move the screw (L) up.

NOTE: During adjustment, care must be taken not to keep too big amount of swing scope, otherwise will cause the ornamental thread too loose and stitch loose and uneven.



● Besides adjusting stitch, please laypeople don't debug or maintain.

● Parts are subject to changes in design without prior notice.

XI'AN TYPICAL INDUSTRIES CO.,LTD.

Add: No.355 Taibai South Road,
Xi'an, P.R.China-710068

Tel :+86-29-88279091 88279150

Fax :+86-29-88249715 88245215

E-mail:typical@chinatypical.com

Http:www.chinatypical.com

Http:www.globalsources.com

2011.11.06 ①



TYPICAL

GK370D SERIES

SUPER HIGH SPEED CYLINDER BED INTERLOCK MACHINE
INSTRUCTION BOOK/PARTS CATALOGUE

XI'AN TYPICAL INDUSTRIES CO.,LTD.